

Chassis Mount

# SHE Series

Super High Efficiency Transformers

## High Reliability with Clean Efficient Power Transfer for Optimal Performance

The SHE series of Super High Efficiency transformers are specifically designed to reduce power operational costs. By utilizing optimal quality core and conductor materials, SHE transformers achieve superior ratings which address the overall trend to go “green” with cleaner, more efficient use of power.



### General Specifications

- Power - 250 VA to 2500 VA
- Dielectric Strength - 4000 Vrms Hipot
- Input - Dual / tapped windings
  - Parallel connection 100 V, 115 V 50/60 Hz
  - Series connection 215 V, 230 V 50/60 Hz
- Output - Dual windings
  - Parallel connection 115 V
  - Series connection 230 V
- Regulation 2.5% maximum
- Efficiency 97.5% minimum
- Temperature rise 60° C maximum
- Electrostatic Shield - Solid copper full width foil
- Touch-Safe terminals (IP20 type) offer a screw/binding clamp for hard wiring and 3/16” & 1/4” Fast-On connections
- Leakage Current @ <50 micro Amps
- Insulation System - Class H, 180° C
- Clean power with distortion free output

### Agency Certifications

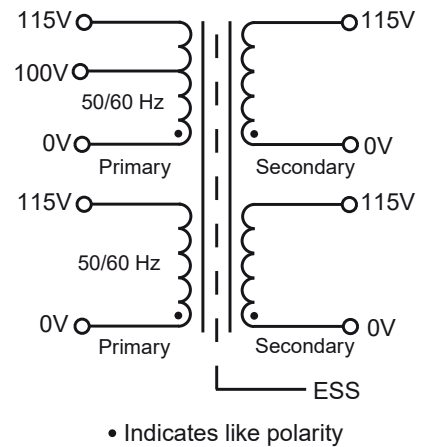
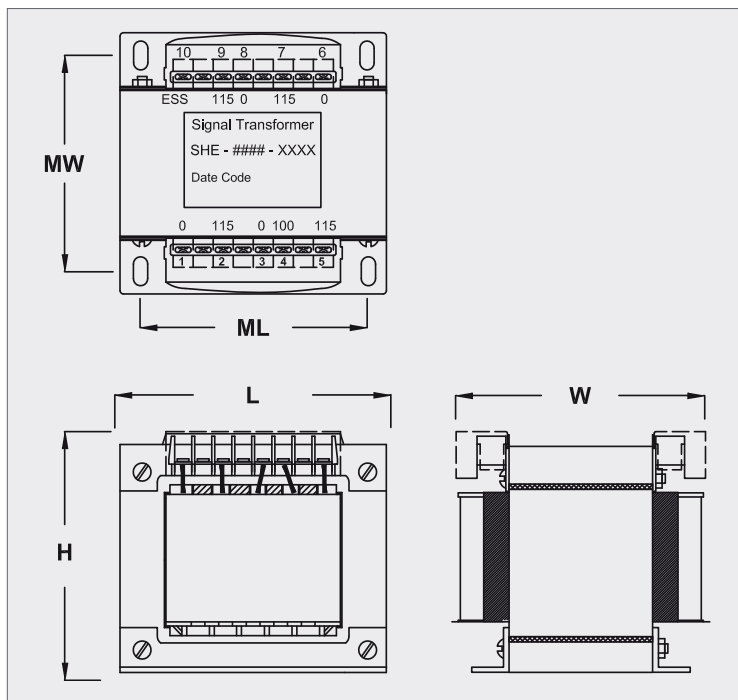
- UL 1446, File # E66312
- Compliant with the following domestic and international standards: UL506 / UL5085, CSA C22.2, No. 66.2-06, VDE 0805 and VDE 0550, IEC / EN61558

## Part Number Selection

Part Number	VA	Secondary RMS Rating	
	Size	Series	Parallel
SHE-250	250	230 V @ 1.1 A	115 V @ 2.2 A
SHE-500	500	230 V @ 2.2 A	115 V @ 4.4 A
SHE-750	750	230 V @ 3.3 A	115 V @ 6.6 A
SHE-1000	1000	230 V @ 4.3 A	115 V @ 8.7 A
SHE-1500	1500	230 V @ 6.5 A	115 V @ 13.0 A
SHE-2000	2000	230 V @ 8.7 A	115 V @ 17.4 A
SHE-2500	2500	230 V @ 10.9 A	115 V @ 21.8 A

## Mechanical Specifications

Part Number	VA Size	Mechanical Dimensions					Weight lbs (kg)
		L	W	H	ML	MW	
		Inches (mm)					lbs (kg)
SHE-250	250	5.40 (137.2)	4.00 (101.6)	4.75 (120.7)	4.50 (114.3)	2.88 (73.2)	11.75 (5.33)
SHE-500	500	5.40 (137.2)	5.00 (127.0)	4.75 (120.7)	4.50 (114.3)	3.88 (98.6)	17.56 (7.97)
SHE-750	750	5.40 (137.2)	6.00 (152.4)	4.75 (120.7)	4.50 (114.3)	4.88 (124.0)	22.62 (10.26)
SHE-1000	1000	7.70 (195.6)	5.50 (139.7)	6.63 (168.4)	5.75 (146.1)	4.38 (111.3)	34.80 (15.79)
SHE-1500	1500	7.70 (195.6)	6.00 (152.4)	6.63 (168.4)	5.75 (146.1)	4.75 (120.7)	41.50 (18.82)
SHE-2000	2000	7.70 (195.6)	6.50 (165.1)	6.63 (168.4)	5.75 (146.1)	5.25 (133.4)	48.02 (21.78)
SHE-2500	2500	7.70 (195.6)	7.00 (177.8)	6.63 (168.4)	5.75 (146.1)	5.75 (146.1)	56.54 (25.65)



Custom versions available upon request.



128 Atlantic Avenue, Lynbrook, NY 11563  
Toll Free 866-239-5777 | Tel 516-239-5777 | Fax 516-239-7208  
sales@signaltransformer.com | techhelp@signaltransformer.com

[belfuse.com/signal](http://belfuse.com/signal)