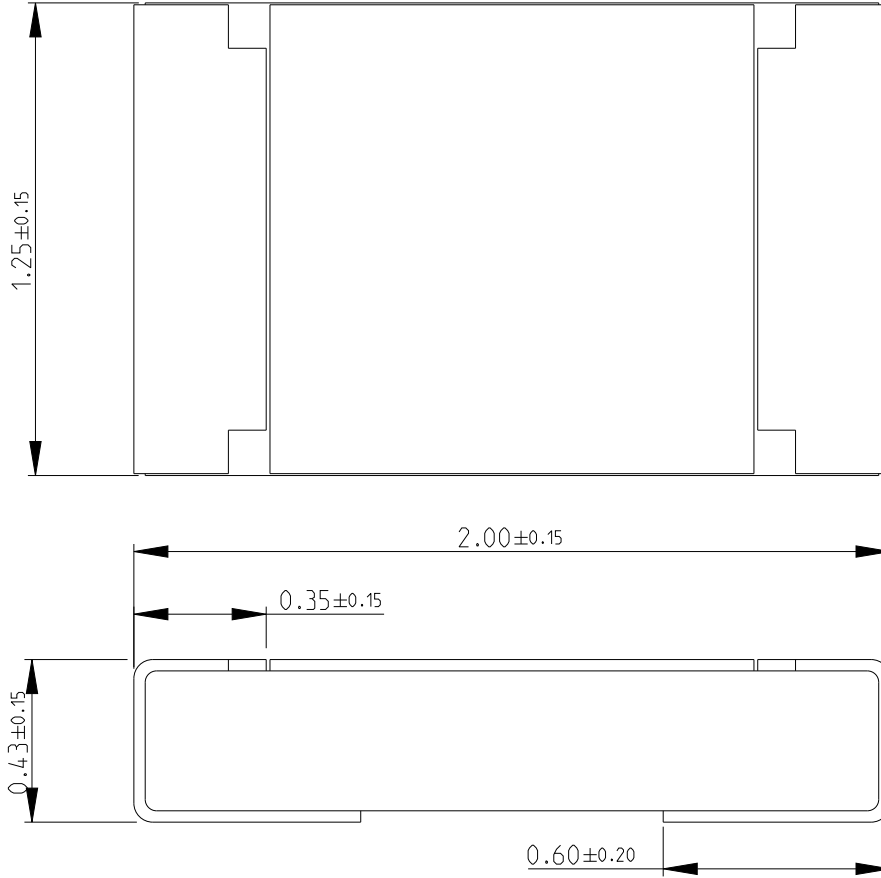


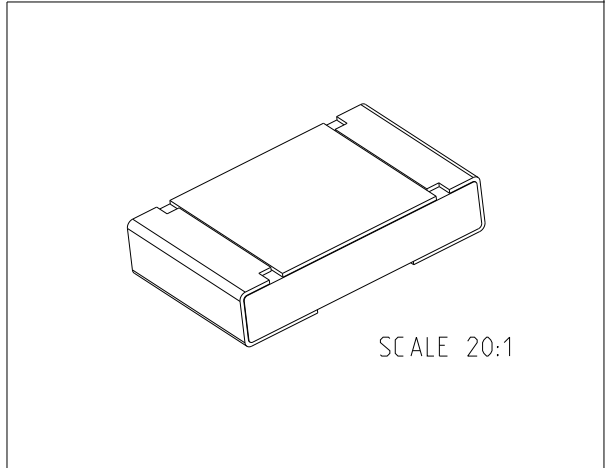
| REVISIONS | | | | |
|-----------|-----|-------------|-----------|------|
| P | LTR | DESCRIPTION | DATE | APVD |
| | BA | NEW DRAWING | 16NOV2021 | KS |
| | | | | |
| | | | | |



NOTES:

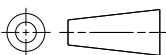
- FOR FURTHER INFORMATION SEE DATA SHEET FOR RA73 SERIES ALUMINUM NITRIDE THIN FILM PRECISION RESISTORS.

RoHS Compliant



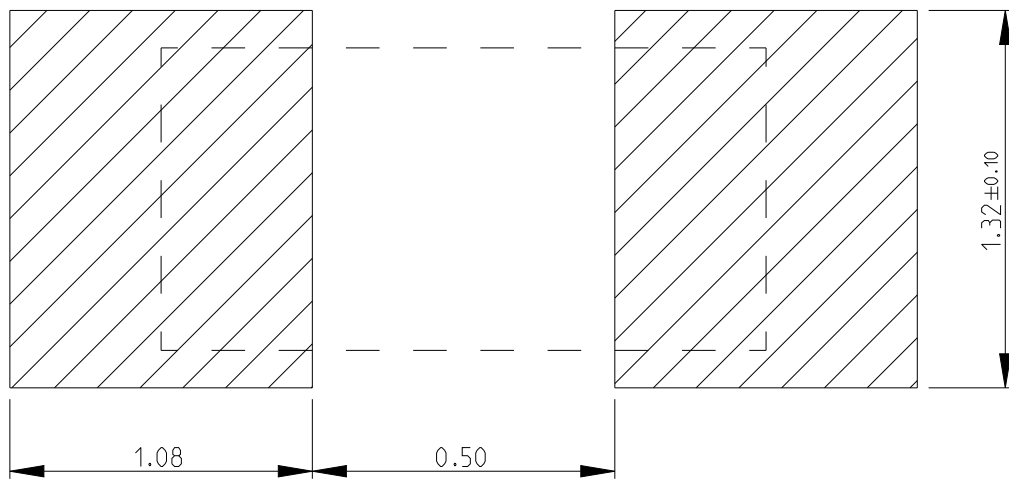
© 2021 TE Connectivity. All Rights Reserved.

| | | | | | | |
|--|------------------|--------------|------------------|--|------------|---------------|
| DIMENSIONS: mm | DWN KARTHIK S | 16NOV2021 | MATERIAL | - | FINISH | - |
| | CHK ALLAN.P | 16NOV2021 | | | | |
| TOLERANCES UNLESS OTHERWISE SPECIFIED: | APVD ALLAN.P | 16NOV2021 | | | | |
| | 0 PLC ±0.5 | PRODUCT SPEC | | NAME ALUMINUM NITRIDE THIN FILM PRECISION RESISTORS-TYPE RA73 0805 SERIES | | |
| 1 PLC ±0.2 | - | | SIZE | CAGE CODE | DRAWING NO | RESTRICTED TO |
| 2 PLC ±0.1 | APPLICATION SPEC | | A 4 | 00779 | C=2176478 | - |
| 3 PLC ± | - | | CUSTOMER DRAWING | | | |
| 4 PLC ± | WEIGHT | | SCALE | | SHEET | REV |
| ANGLES ±5° | - | | 50:1 | 1 OF 2 | BA | |



| REVISIONS | | | | | |
|-----------|-----|-------------|------|-----|------|
| P | LTR | DESCRIPTION | DATE | DWN | APVD |
| - | - | SEE SHEET 1 | - | - | - |
| | | | | | |
| | | | | | |
| | | | | | |


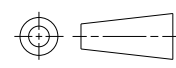
RECOMMENDED LAND PATTERN



NOTES:

1. PCB WITH A COPPER THICKNESS OF TWO OUNCES SHOULD BE USED.

© 2021 TE Connectivity. All Rights Reserved.

| | | | | | | |
|--|---|--------------|--|-----------|------------|---------------|
| DIMENSIONS: mm | DWN KARTHIK S | 16NOV2021 | MATERIAL | - | FINISH | - |
| | CHK ALLAN.P | 16NOV2021 |  | | | |
| TOLERANCES UNLESS OTHERWISE SPECIFIED: | APVD ALLAN.P | 16NOV2021 | | | | |
| | 0 PLC ±0.5 | PRODUCT SPEC | NAME ALUMINUM NITRIDE THIN FILM PRECISION RESISTORS-TYPE RA73 0805 SERIES | | | |
| 1 PLC ±0.2 | APPLICATION SPEC | - | SIZE | CAGE CODE | DRAWING NO | RESTRICTED TO |
| 2 PLC ±0.1 | - | - | A 4 | 00779 | C=2176478 | - |
| 3 PLC ± | WEIGHT | - | CUSTOMER DRAWING | | | |
| 4 PLC ± | - | - | SCALE | NTS | SHEET | 2 OF 2 |
| ANGLES ±5° |  | | REV BA | | | |