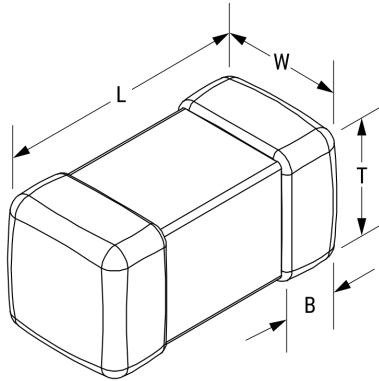


## L0805CR27KSMST

Aliases (L0805CR27KSMST)

Obsolete

KEMET, L-SMS, Commercial Grade, 0.27 uH, 10%



Click [here](#) for the 3D model.

### Dimensions

|           |                 |
|-----------|-----------------|
| Chip Size | 0805            |
| L         | 2mm +0.3/-0.1mm |
| W         | 1.25mm +/-0.2mm |
| T         | 0.85mm +/-0.2mm |
| LL        | 0.5mm +/-0.2mm  |
| B         | 0.5mm +/-0.2mm  |

### Packaging Specifications

|                    |      |
|--------------------|------|
| Packaging          | T&R  |
| Packaging Quantity | 4000 |

### General Information

|              |   |
|--------------|---|
| Series       | L-SMS   |
| Style        | SMD Chip  |
| Description  | Shielded, Surface Mount Inductor  |
| Features     | Standard Type   |
| RoHS         | Yes   |
| Core         | Ceramic   |
| Winding Type | Multilayer  |
| Notes        | Suggested Replacement - <a href="https://www.chilisin.com/en-global/Inductor/Product/BSCL_201209/BSCL00201209R27K00">https://www.chilisin.com/en-global/Inductor/Product/BSCL_201209/BSCL00201209R27K00</a> . |

### Specifications

|                         |                 |
|-------------------------|-----------------|
| Inductance              | 0.27 uH         |
| Inductance Tolerance    | 10%             |
| Temperature Range       | -40/+85°C       |
| Current                 | 250 mAmps (MAX) |
| DC Resistance           | 0.5 Ohms        |
| Quality Factor          | 20 at 25 MHz    |
| Self-Resonant Frequency | 150 MHz         |