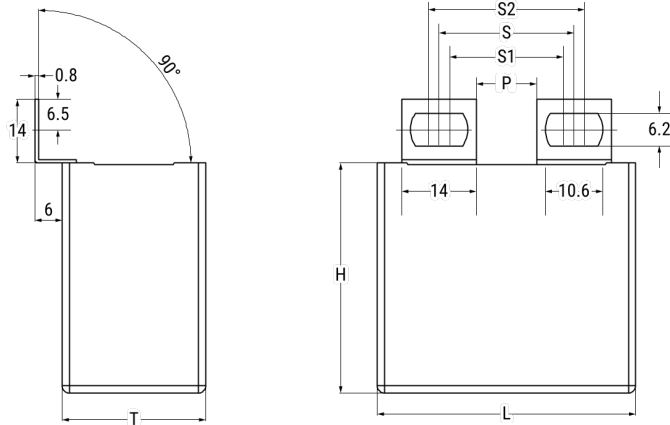


C4BSMBX4220ZALJ

C4BS, Film, Metallized Polypropylene, Power, 2.2 uF, 5%, 550 VAC, 850 VDC, 70°C, Lead Spacing = 25.5mm



Click [here](#) for the 3D model.

Dimensions

L	42mm +1.5/-0.7mm
H	45mm +0.2/-0.7mm
T	30mm +0.4/-0.7mm
S	25.5mm +/-0.2mm
S1	21.5mm +/-0.2mm
S2	29.5mm +/-0.2mm
P	10.5mm NOM

Packaging Specifications

Packaging	Bulk, Bag
Packaging Quantity	32

General Information

Series	C4BS
Dielectric	Metallized Polypropylene
Style	Radial
Features	IGBT Circuit
RoHS	Yes
Lead	Flat Tabs
AEC-Q200	No
Component Weight	99.81 g
Miscellaneous	KEMET Style A Tabs.

Specifications

Capacitance	2.2 uF
Capacitance Tolerance	5%
Voltage AC	550 VAC
Voltage DC	850 VDC
Temperature Range	-40/+85°C
Rated Temperature	70°C
Max dV/dt	758 V/us
Resistance	1.9 mOhms (100kHz)
Ripple Current	37 Amps (100kHz 70C), 1668 Amps (Peak)
Inductance	43 nH