

**Ratings**

Temperature: -40 ~ 70 °C  
Voltage: 150 V

**Conductor**

Gauge: 28 AWG 0.08 mm<sup>2</sup>  
Material: tinned copper strands  
Strand size:  $\varnothing 0.05 \times 40$   
Resistance at 20 °C: 240  $\Omega$  /km max

**Insulator**

Material: HDPE  
Color: orange, green, blue, yellow, white, black, red  
Diameter:  $\varnothing 0.7 \pm 0.10$  mm  
Nominal thickness: 0.15 mm  
Resistance at 20 °C: 1000 M $\Omega$  /km min

**Shield**

Type: spiral  
Material: tinned copper strands  
Stranding:  $\varnothing 0.08$  mm  
Coverage: 90% min

**Outer jacket**

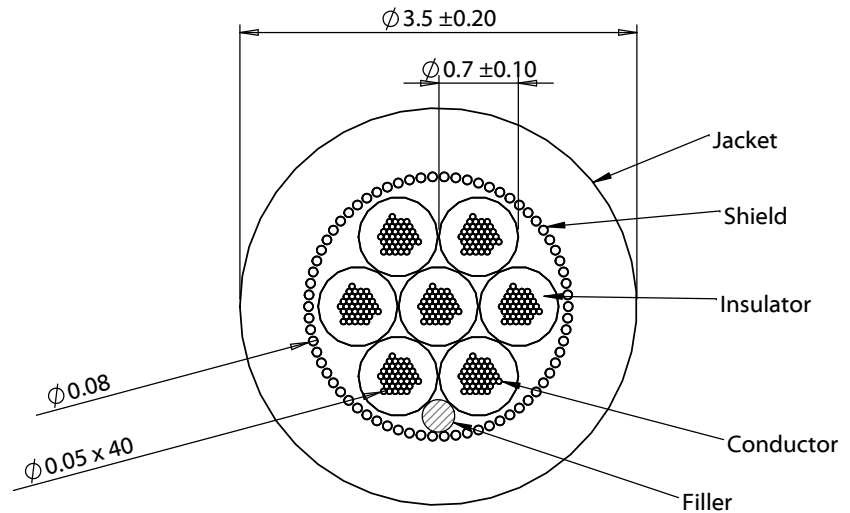
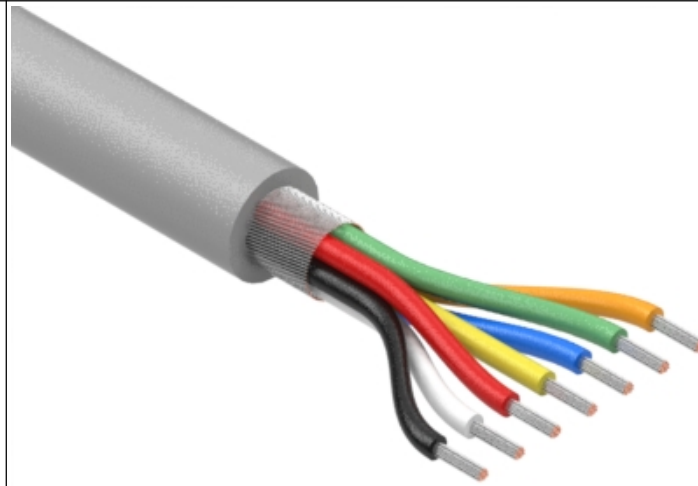
Material: TPU  
Color: gray (Cool Gray 9C)  
Nominal thickness: 0.50 mm  
Diameter:  $\varnothing 3.5 \pm 0.20$  mm

**Filler:**

Material: aramid fiber

**Tests**

Tensile strength: 35.7 kgf  
Dielectric test: 1500 V dc for 1 minute without breakdown  
Bend test at 200 g,  $\pm 90^\circ$ , 30 cycles /min: 15,000 cycle minimum



Revision:	Date:	Description:	Prepared:	Notes: RoHS compliant Jacket meets ISO 10993 Biological Compatibility Phthalate and halogen free Function test: no open, no short, no intermittent	<b>TENSILITY</b> tel 1.541.323.3228 800 877.670.7118 fax 1.541.323.4202 web tensility.com	
A	10/10/2018	Initial release	Verified:			
A1	1/18/2019	Changed filler material to generic name	Dimensions are in millimeters. Tolerances: X: $\pm 0.5$ mm X.X: $\pm 0.3$ mm X.XX: $\pm 0.05$ mm	Description: Wire, 7C TS, 28 AWG, 150V, 70C, 3.5 mm, shielded, TPU, 75A, gray, WBL	Size: A Part number: 30-01158	
				Scale: 15:1		Sheet 1 of 1

5

4

3

2

1