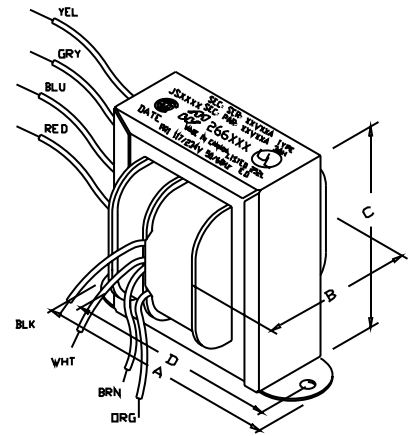
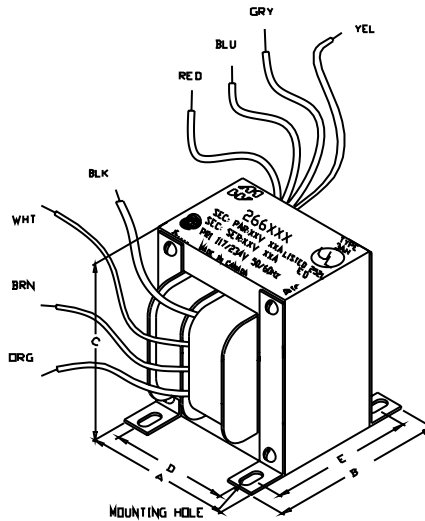
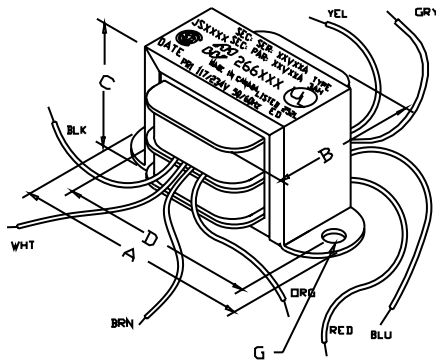




POWER FILAMENT & L.V. USE 266 SERIES



Key Features:

- Dual Primary 117/234 VAC, 50/60 Hz.
- All units also have dual secondaries.
- Secondaries can be used as a center tapped secondary, parallel connected or used individually.
- 71 standard models from 1.25VAC to 48VAC output.
- Standard VA sizes from 1.8 to 240VA
- Open style with minimum 6" long leads.
- Dual bobbin design - no electrostatic shield required.
- We use Class B insulation (130 degrees, C) for extra protection - UL listed as a Class A (105 degree, C) design
- Hi-Pot test of 2,000V RMS.
- UL listed (#E50394) Type 3AH
- CSA certified (#LR3902)

For more information on this series, go to:

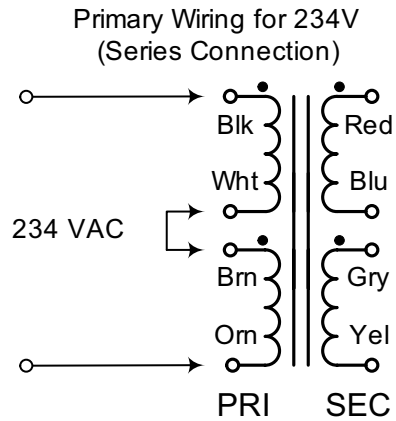
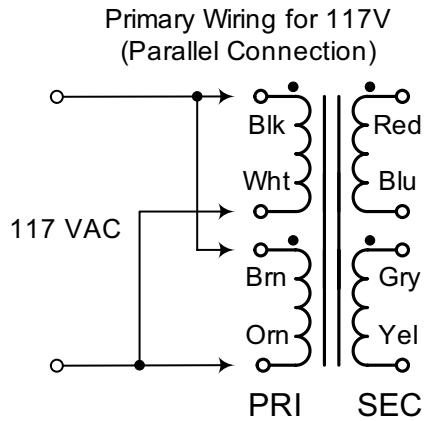
<http://www.hammondmfg.com/266.htm>

www.hammondmfg.com

Connection Information

266 Series Power Transformers

Primary Connections - 266 Series Transformers



Secondary Connections - 266 Series Transformers

