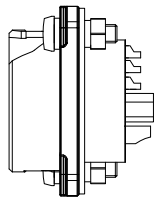
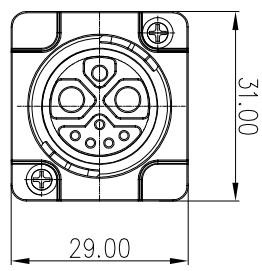
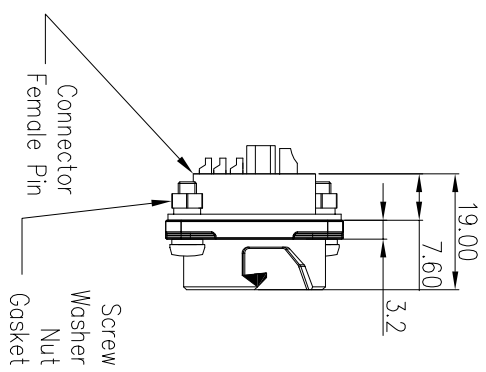
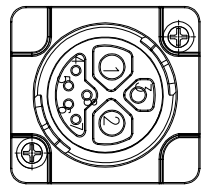


RECOMMENDED PANEL Cut-Out



24XXXX636-01
Pin Number



2+1+5 Pin
P/N: 24305636-01
Pin Assignments
Front View



UNIT: mm
TOLERANCE
.X ±0.25
.XX ±0.15
.XXX ±0.05
ANGLES ±1°

DESCRIPTION
Large Series Push Lock
Front Square Flange With Female Pin

SCALE 1:1
REV C1
SIZE A4
SHEET 1 OF 1
* : Inspection Item

CHOGORI

REV.	EN. NO.	DESCRIPTION	SIGN	DATE
C1	N/A	INITIAL DRAWING	Liu	2019/08/13

- Specification:
1. Operation Temperature: -45°C~105°C.
 2. Insulation Resistance: 100MΩ at DC500V.
 3. Contact Resistance: <10mΩ.
 4. Withstand Voltage: 1500V AC, 1min
 5. Operating Current: 50A+15A+5A
 6. Operating Voltage: AC 250V
 7. Waterproof Rate: IP67 (Mated)
 8. Housing: Nylon, Black
 9. Female Pin: Copper Alloy, Gold Plated
 10. Gasket: Silicon Black
 11. Screw: Stainless Steel
 12. Washer: Stainless Steel
 13. Nut: Stainless Steel
 14. RoHS Compliant.
 15. Mating Cap P/N: 806-00102-00

PART NO	DRAWN BY	DATE
24XXXX636-01	Liu	2019/08/13
DWG NO	CHECKED BY	DATE
	Mo	2019/08/13
CUSTOMER	APPROVED BY	DATE
	Panson	2019/08/13