

NOTES:

1. 梱包数量 : 570個/リール
 NUMBER OF CONNECTORS : 570PIECES/REEL

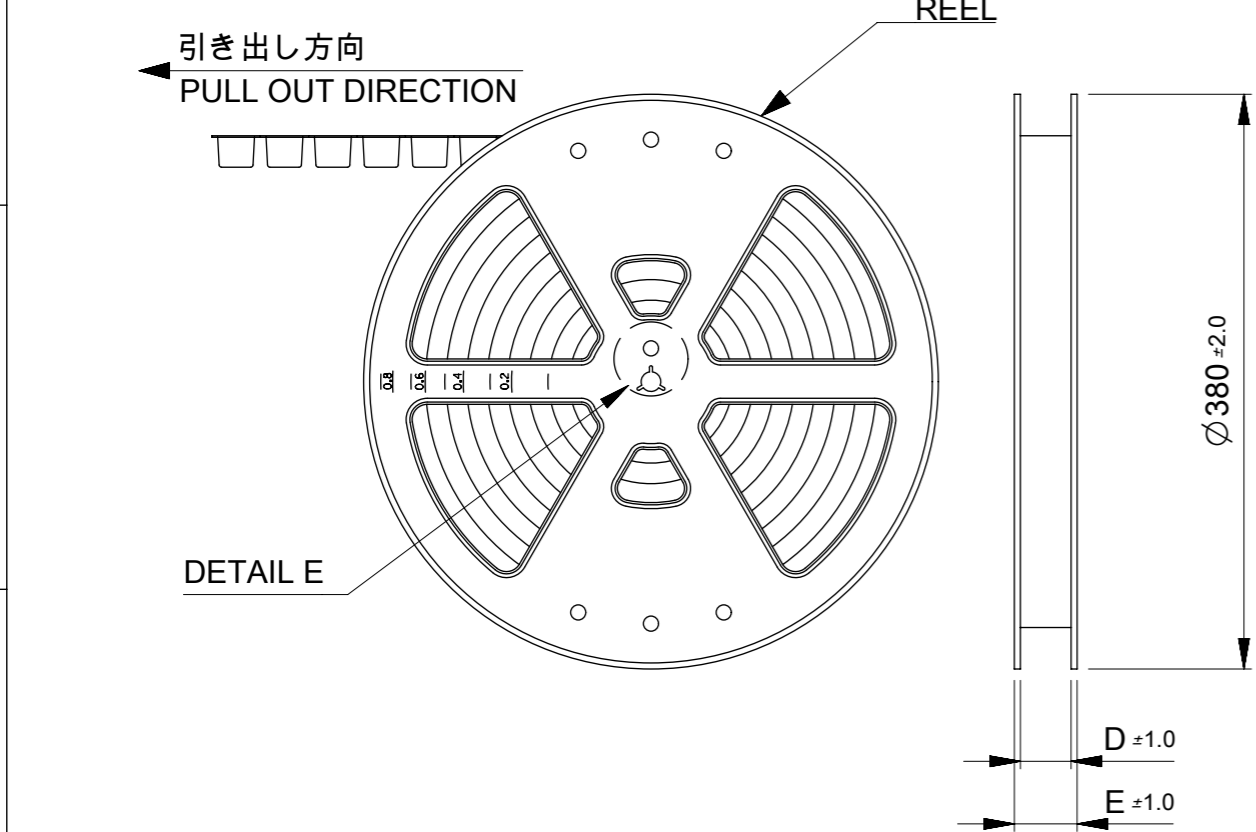
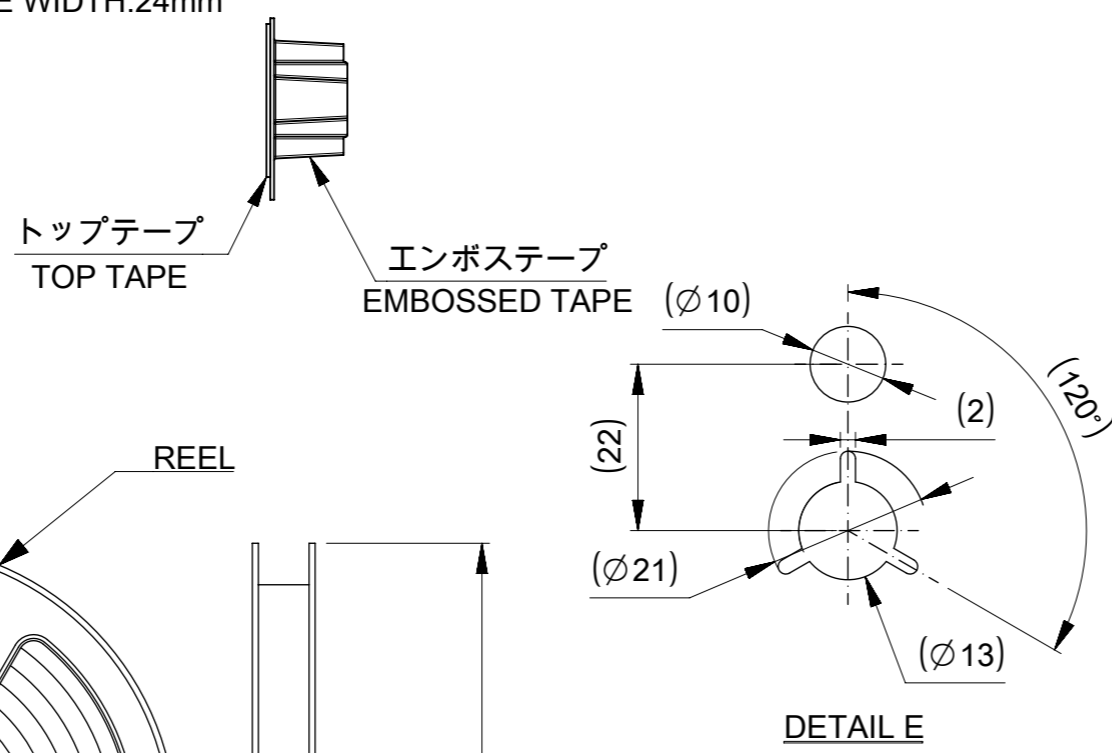
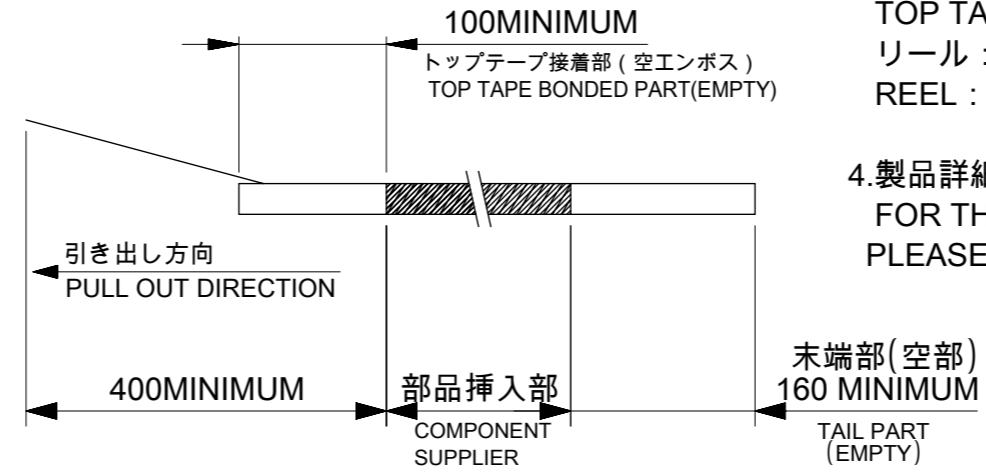
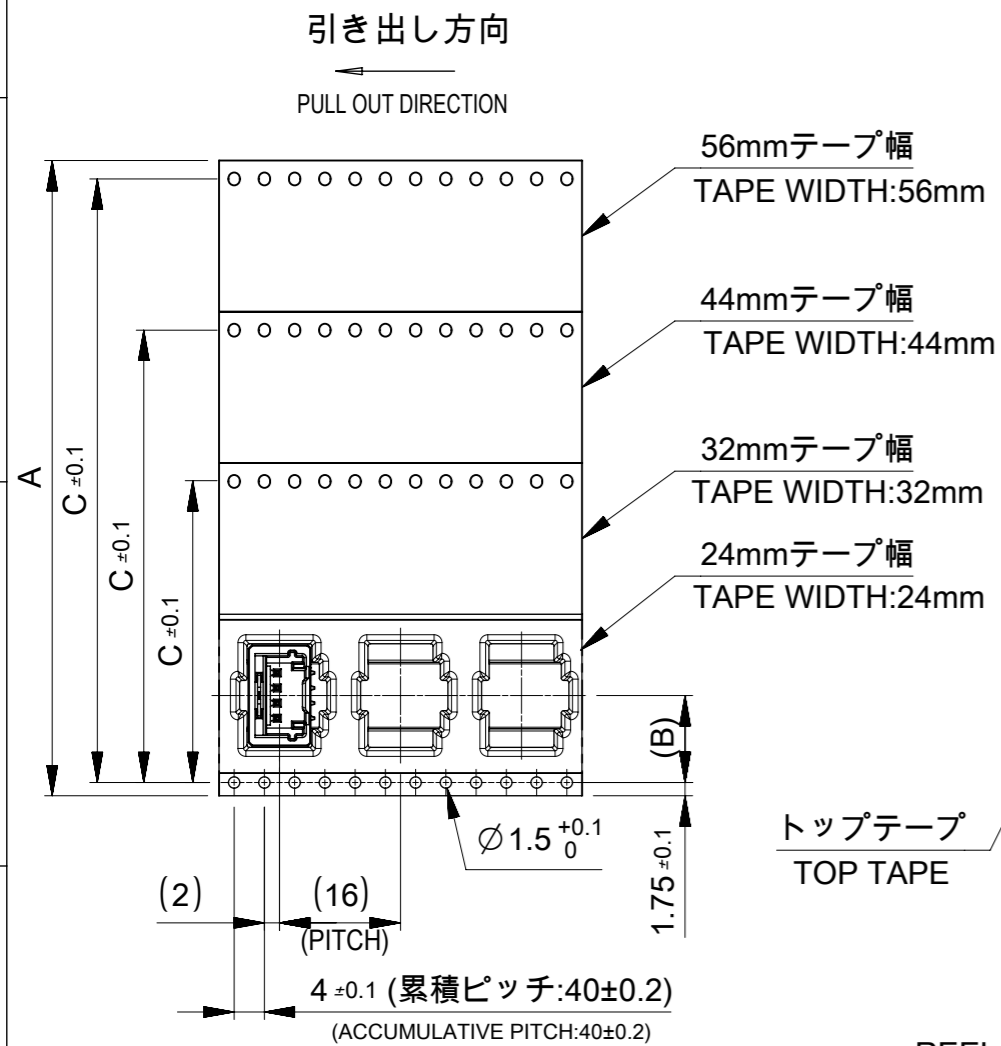
2. リードテープ長さ
 LEAD TAPE LENGTH

3. 材料

MATERIALS

エンボステープ : ポリスチレン(PS)
 EMBOSSED TAPE : POLYSTYRENE(PS)
 トップテープ : ポリエステル(PET)、その他
 TOP TAPE : POLYESTER(PET)、OTHER
 リール : ポリスチレン(PS) リサイクル材を含む
 REEL : POLYSTYRENE(PS) RECYCLE MATERIAL CONTAINED

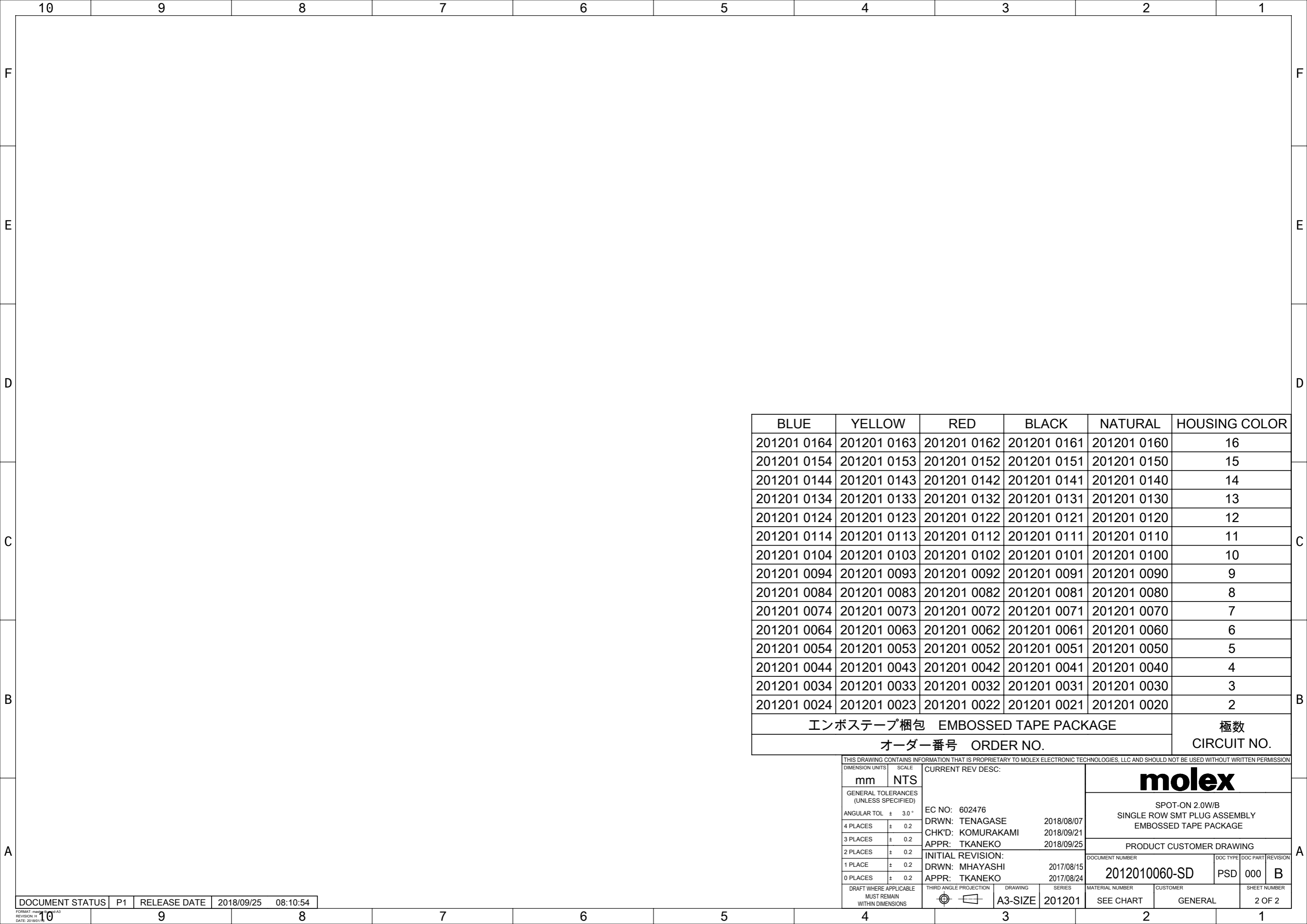
4. 製品詳細寸法については製品単体図面を参照して下さい。
 FOR THE DETAIL OF CONNECTOR DIMENSIONS,
 PLEASE REFER TO THE DRAWING OF CONNECTOR.



| | | | | | | |
|------|------|------|------|------------------------------------|---------------------|-------------------|
| 61.4 | 57.4 | 52.4 | 26.2 | 56±0.3 | 201201 016* | 16 |
| | | | | | 201201 015* | 15 |
| | | | | | 201201 014* | 14 |
| | | | | | 201201 013* | 13 |
| | | | | | 201201 012* | 12 |
| | | | | | 201201 011* | 11 |
| 49.4 | 45.4 | 40.4 | 20.2 | 44±0.3 | 201201 010* | 10 |
| | | | | | 201201 009* | 9 |
| | | | | | 201201 008* | 8 |
| 37.4 | 33.4 | 28.4 | 14.2 | 32±0.3 | 201201 007* | 7 |
| | | | | | 201201 006* | 6 |
| | | | | | 201201 005* | 5 |
| | | | | | 201201 004* | 4 |
| 29.4 | 25.4 | - | 11.5 | 24 ^{+0.3} _{-0.1} | 201201 003* | 3 |
| | | | | | 201201 002* | 2 |
| E | D | C | B | A | オーダー番号 ORDER NO. | 極数 CIRCUIT NO. |

THIS DRAWING CONTAINS INFORMATION THAT IS PROPRIETARY TO MOLEX ELECTRONIC TECHNOLOGIES, LLC AND SHOULD NOT BE USED WITHOUT WRITTEN PERMISSION

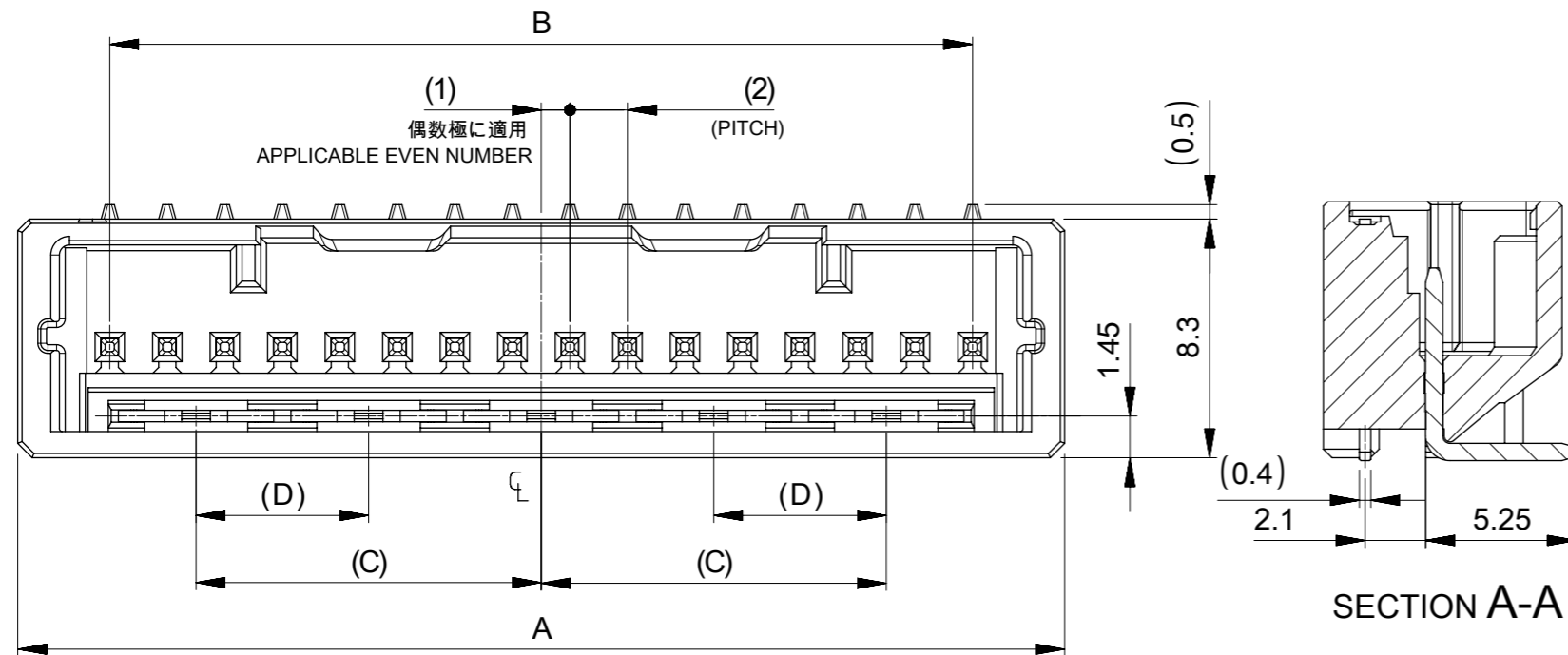
| | | | | | | | |
|--|-------|------------------------|------------------|---|--|--|-------------------|
| DIMENSION UNITS | SCALE | CURRENT REV DESC: | | molex | | | |
| mm | NTS | | | | | | |
| GENERAL TOLERANCES (UNLESS SPECIFIED) | | | | SPOT-ON 2.0W/B SINGLE ROW SMT PLUG ASSEMBLY EMBOSSED TAPE PACKAGE | | | |
| ANGULAR TOL ± 3.0° | | | | | | | |
| 4 PLACES | ± 0.2 | EC NO: 602476 | 2018/08/07 | PRODUCT CUSTOMER DRAWING | | | |
| 3 PLACES | ± 0.2 | DRWN: TENAGASE | 2018/09/21 | | | | |
| 2 PLACES | ± 0.2 | CHK'D: KOMURAKAMI | 2018/09/25 | DOCUMENT NUMBER: 2012010060-SD | | | |
| 1 PLACE | ± 0.2 | APPR: TKANEKO | | | | | DOC TYPE: PSD |
| 0 PLACES | ± 0.2 | INITIAL REVISION: | | MATERIAL NUMBER: SEE SHEET 2 | | | |
| | | DRWN: MHAYASHI | 2017/08/15 | | | | CUSTOMER: GENERAL |
| | | APPR: TKANEKO | 2017/08/24 | SHEET NUMBER: 1 OF 2 | | | |
| DRAFT WHERE APPLICABLE MUST REMAIN WITHIN DIMENSIONS | | THIRD ANGLE PROJECTION | DRAWING: A3-SIZE | | | | SERIES: 201201 |



| BLUE | YELLOW | RED | BLACK | NATURAL | HOUSING COLOR |
|---------------------------------|-------------|-------------|-------------|-------------|---------------|
| 201201 0164 | 201201 0163 | 201201 0162 | 201201 0161 | 201201 0160 | 16 |
| 201201 0154 | 201201 0153 | 201201 0152 | 201201 0151 | 201201 0150 | 15 |
| 201201 0144 | 201201 0143 | 201201 0142 | 201201 0141 | 201201 0140 | 14 |
| 201201 0134 | 201201 0133 | 201201 0132 | 201201 0131 | 201201 0130 | 13 |
| 201201 0124 | 201201 0123 | 201201 0122 | 201201 0121 | 201201 0120 | 12 |
| 201201 0114 | 201201 0113 | 201201 0112 | 201201 0111 | 201201 0110 | 11 |
| 201201 0104 | 201201 0103 | 201201 0102 | 201201 0101 | 201201 0100 | 10 |
| 201201 0094 | 201201 0093 | 201201 0092 | 201201 0091 | 201201 0090 | 9 |
| 201201 0084 | 201201 0083 | 201201 0082 | 201201 0081 | 201201 0080 | 8 |
| 201201 0074 | 201201 0073 | 201201 0072 | 201201 0071 | 201201 0070 | 7 |
| 201201 0064 | 201201 0063 | 201201 0062 | 201201 0061 | 201201 0060 | 6 |
| 201201 0054 | 201201 0053 | 201201 0052 | 201201 0051 | 201201 0050 | 5 |
| 201201 0044 | 201201 0043 | 201201 0042 | 201201 0041 | 201201 0040 | 4 |
| 201201 0034 | 201201 0033 | 201201 0032 | 201201 0031 | 201201 0030 | 3 |
| 201201 0024 | 201201 0023 | 201201 0022 | 201201 0021 | 201201 0020 | 2 |
| エンボステープ梱包 EMBOSSED TAPE PACKAGE | | | | | 極数 |
| オーダー番号 ORDER NO. | | | | | CIRCUIT NO. |

| | | | | | | | | | | | | | |
|---|--|----------------|--|--|--|----------|--|---|--|---------------|--|----------------|--|
| THIS DRAWING CONTAINS INFORMATION THAT IS PROPRIETARY TO MOLEX ELECTRONIC TECHNOLOGIES, LLC AND SHOULD NOT BE USED WITHOUT WRITTEN PERMISSION | | | | | | | | | | | | | |
| DIMENSION UNITS | | SCALE | | CURRENT REV DESC: | | | | | | | | | |
| mm | | NTS | | | | | | | | | | | |
| GENERAL TOLERANCES (UNLESS SPECIFIED) | | | | EC NO: 602476 DRWN: TENAGASE 2018/08/07 CHK'D: KOMURAKAMI 2018/09/21 APPR: TKANEKO 2018/09/25 INITIAL REVISION: DRWN: MHAYASHI 2017/08/15 APPR: TKANEKO 2017/08/24 | | | | SPOT-ON 2.0W/B SINGLE ROW SMT PLUG ASSEMBLY EMBOSSED TAPE PACKAGE | | | | | |
| ANGULAR TOL ± 3.0 ° | | | | | | | | PRODUCT CUSTOMER DRAWING | | | | | |
| 4 PLACES ± 0.2 | | 3 PLACES ± 0.2 | | | | | | 2 PLACES ± 0.2 | | 1 PLACE ± 0.2 | | 0 PLACES ± 0.2 | |
| DRAFT WHERE APPLICABLE MUST REMAIN WITHIN DIMENSIONS | | | | | | | | THIRD ANGLE PROJECTION | | DRAWING | | SERIES | |
| | | | | | | | | | | A3-SIZE | | 201201 | |
| | | | | MATERIAL NUMBER | | CUSTOMER | | SHEET NUMBER | | | | | |
| | | | | 2012010060-SD | | GENERAL | | 2 OF 2 | | | | | |

| | | | | |
|-----------------|----|--------------|------------|----------|
| DOCUMENT STATUS | P1 | RELEASE DATE | 2018/09/25 | 08:10:54 |
|-----------------|----|--------------|------------|----------|

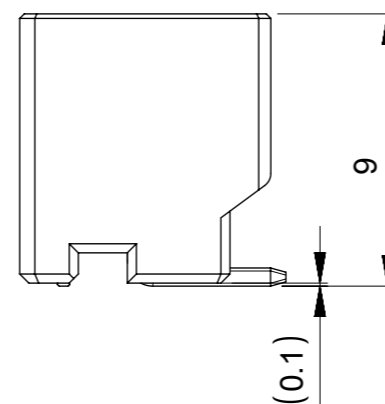
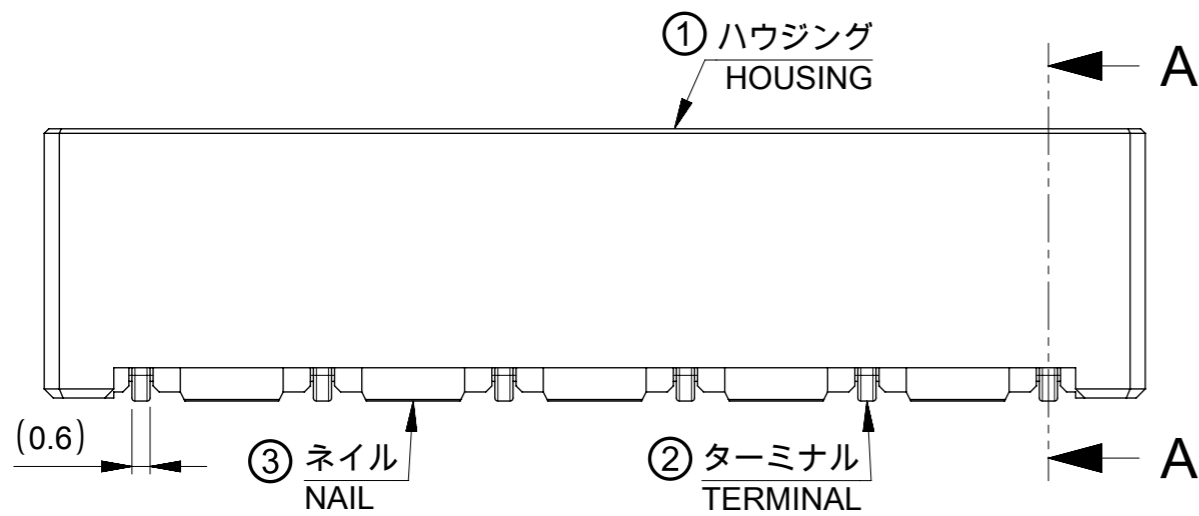


NOTE

- 1. 嵌合相手 : 201200 2***
MATE WITH: 201200 2***
- 2. ターミナル及びネイルの平坦度 : 0.1MAXIMUM
TERMINAL AND NAIL COPLANARITY TO BE 0.1MAXIMUM
- 3. 製品番号 MATERIAL NO.
201201 0 ***

極数 → 色 キータイプ
CIRCUIT SIZE → COLOR KEY TYPE

| NO. | COLOR | KEY TYPE |
|-----|---------|----------|
| 0 | NATURAL | 1 |
| 1 | BLACK | 2 |
| 2 | RED | 3 |
| 3 | YELLOW | 4 |
| 4 | BLUE | 5 |



| NAIL QUANTITY | D | C | B | A | EMBOSSED TAPE PACKAGE ORDER NO. | 極数 CIRCUIT NO. |
|---------------|-----|-----|----|------|---------------------------------|----------------|
| 5 | 6 | 12 | 30 | 36.4 | 201201 016* | 16 |
| 4 | 6 | 11 | 28 | 34.4 | 201201 015* | 15 |
| 4 | 6 | 10 | 26 | 32.4 | 201201 014* | 14 |
| 4 | 6 | 9 | 24 | 30.4 | 201201 013* | 13 |
| 3 | --- | 8 | 22 | 28.4 | 201201 012* | 12 |
| 3 | --- | 7 | 20 | 26.4 | 201201 011* | 11 |
| 3 | --- | 6 | 18 | 24.4 | 201201 010* | 10 |
| 2 | --- | 5 | 16 | 22.4 | 201201 009* | 9 |
| 2 | --- | 4 | 14 | 20.4 | 201201 008* | 8 |
| 2 | --- | 3 | 12 | 18.4 | 201201 007* | 7 |
| 1 | --- | --- | 10 | 16.4 | 201201 006* | 6 |
| 1 | --- | --- | 8 | 14.4 | 201201 005* | 5 |
| 1 | --- | --- | 6 | 13.4 | 201201 004* | 4 |
| 1 | --- | --- | 4 | 11.4 | 201201 003* | 3 |
| 1 | --- | --- | 2 | 9.4 | 201201 002* | 2 |

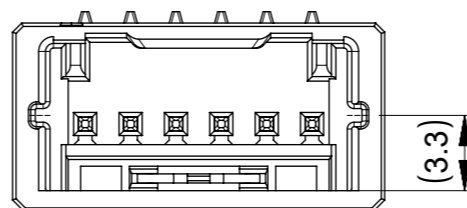
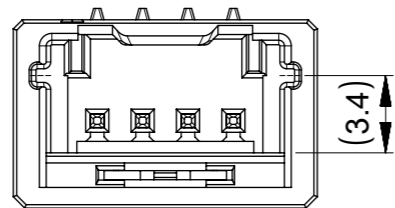
| 番号 NO. | 部品 PART | 材質 MATERIAL |
|--------|----------------|--|
| ① | ハウジング HOUSING | ポリアミド(PA)、ガラス充填、UL94 V-0 POLYAMIDE(PA), GLASS FILLED, UL94 V-0 |
| ② | ターミナル TERMINAL | 黄銅 BRASS |
| | | 錫めっき、リフロー処理(前めっき) PRE-TIN PLATED (HEAT TREATED MATTE TIN) : 1.0 MICRO-METER MINIMUM 銅めっき(下地) COPPER (UNDER PLATING) : 0.5 MICRO-METER MINIMUM |
| ③ | ネイル NAIL | 黄銅 BRASS |
| | | 錫めっき MATTE TIN : 1.0 MICRO-METER MINIMUM |
| | | ニッケルめっき(下地) NICKEL (UNDER PLATING) : 1.0 MICRO-METER MINIMUM |

THIS DRAWING CONTAINS INFORMATION THAT IS PROPRIETARY TO MOLEX ELECTRONIC TECHNOLOGIES, LLC AND SHOULD NOT BE USED WITHOUT WRITTEN PERMISSION

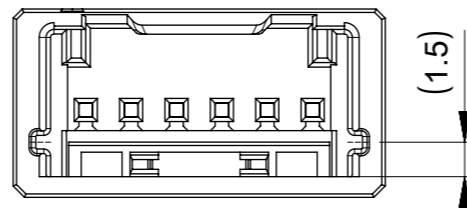
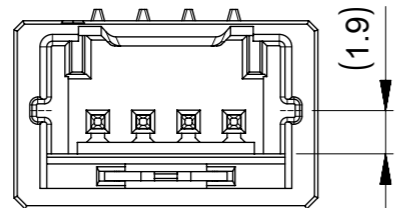
| | | | | | | | | |
|--|----------------|------------------------|------------|--------------------------------|----------------|------------------------------|-------------------|---|
| DIMENSION UNITS: mm | SCALE: NTS | CURRENT REV DESC: | | molex | | | | |
| GENERAL TOLERANCES (UNLESS SPECIFIED) | | EC NO: 602476 | | | | | | SPOT-ON 2.0W/B SINGLE ROW SMT PLUG ASSEMBLY |
| ANGULAR TOL ± 3.0° | 4 PLACES ± | DRWN: TENAGASE | 2018/08/07 | PRODUCT CUSTOMER DRAWING | | | | |
| 3 PLACES ± | 2 PLACES ± 0.2 | CHK'D: KOMURAKAMI | 2018/09/25 | DOCUMENT NUMBER: 2012011060-SD | | | | |
| 1 PLACE ± 0.2 | 0 PLACES ± 0.2 | APPR: TKANEKO | 2018/09/25 | DOC TYPE: PSD | DOC PART: 000 | REVISION: B | | |
| DRAFT WHERE APPLICABLE MUST REMAIN WITHIN DIMENSIONS | | THIRD ANGLE PROJECTION | | DRAWING: A3-SIZE | SERIES: 201201 | MATERIAL NUMBER: SEE SHEET 2 | CUSTOMER: GENERAL | SHEET NUMBER: 1 OF 3 |

**MATING
KEY TYPE & COLOR**

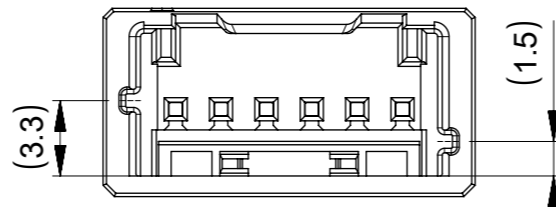
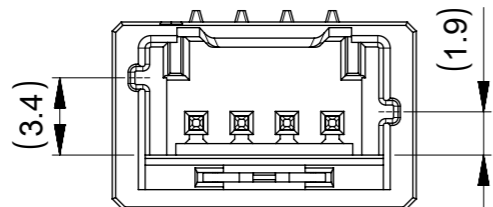
KEY TYPE:1
ORDER No.:2012010**0
COLOR:NATURAL



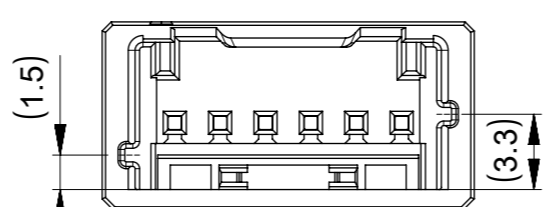
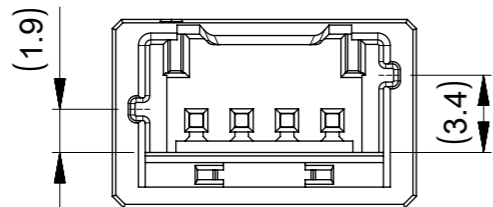
KEY TYPE:2
ORDER No.:2012010**1
COLOR:BLACK



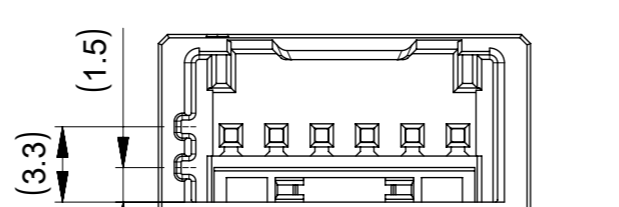
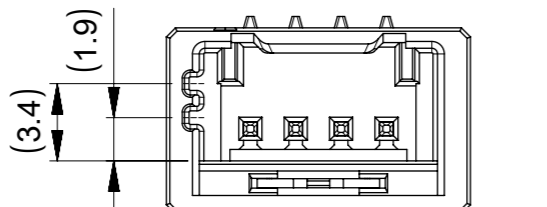
KEY TYPE:3
ORDER No.:2012010**2
COLOR:RED



KEY TYPE:4
ORDER No.:2012010**3
COLOR:YELLOW

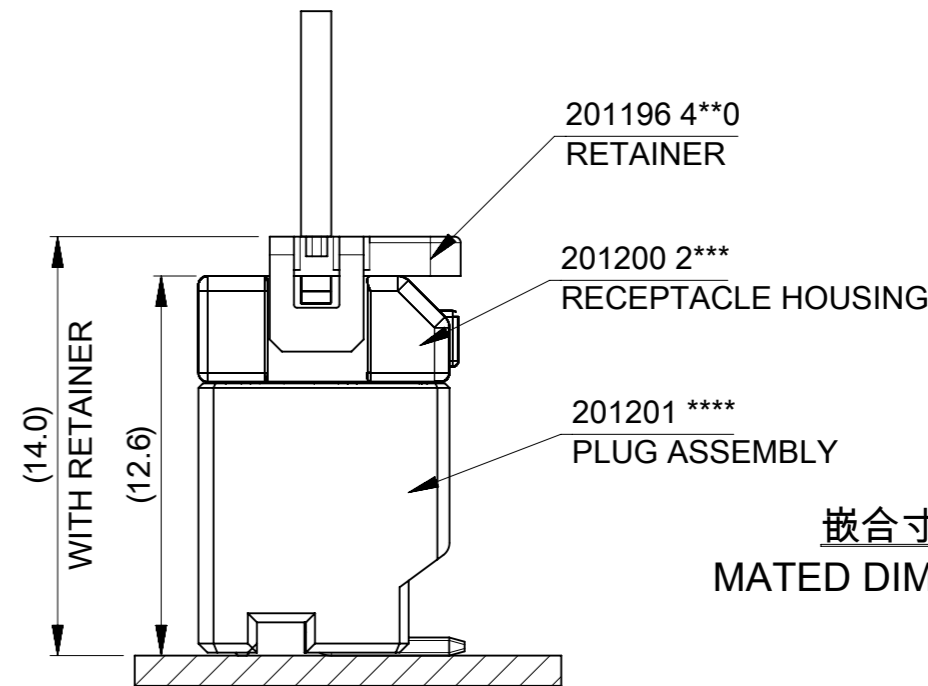


KEY TYPE:5
ORDER No.:2012010**4
COLOR:BLUE



2~4CKT対応
FOR 2~4CKT

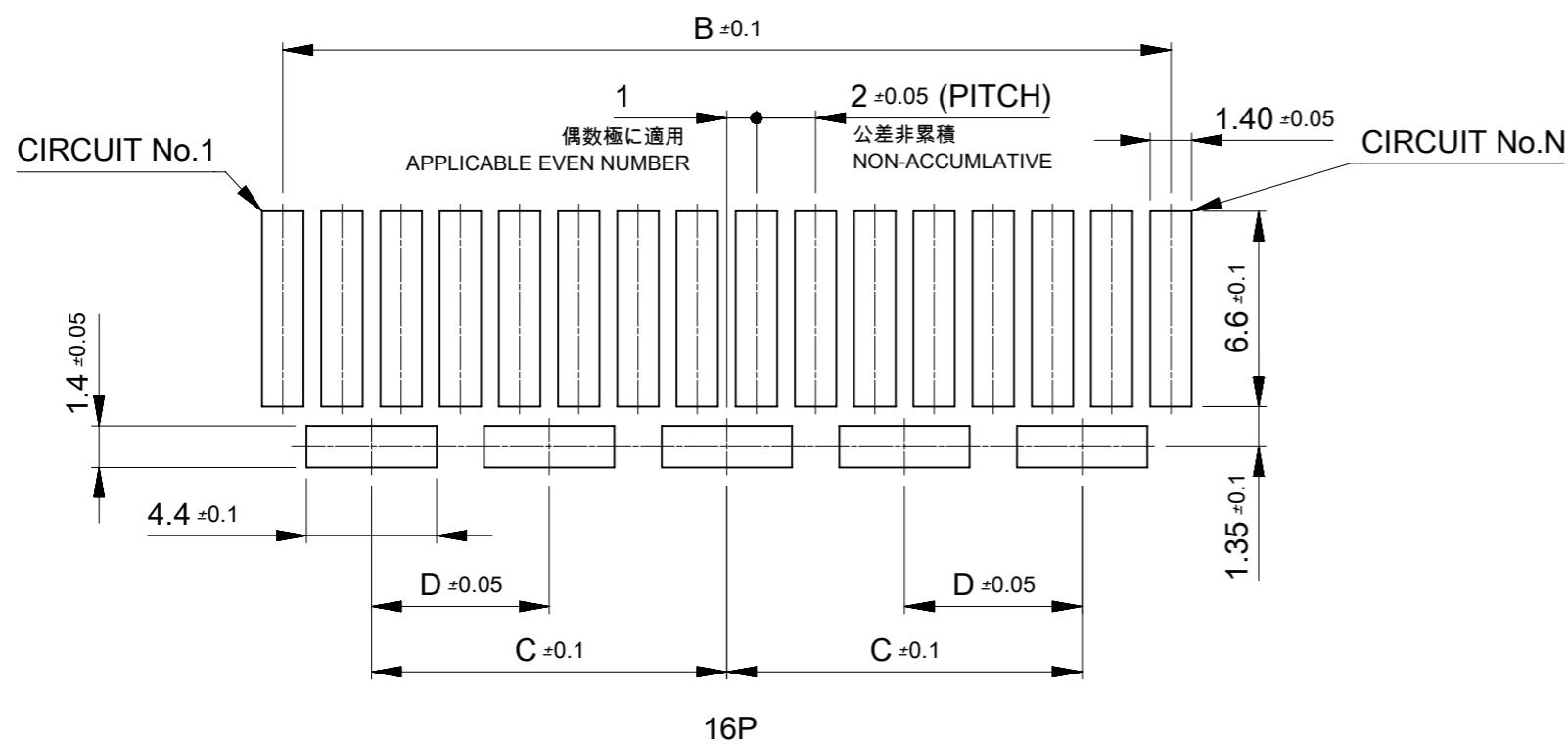
5~16CKT対応
FOR 5~16CKT



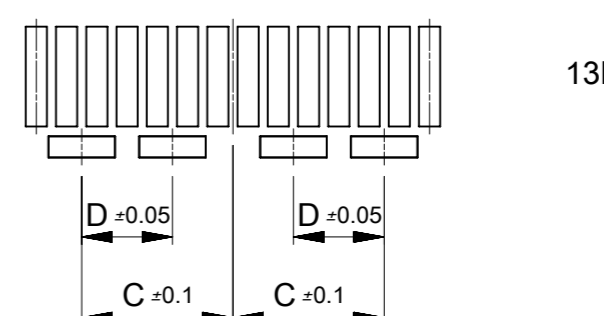
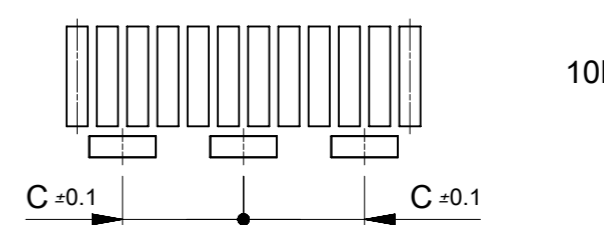
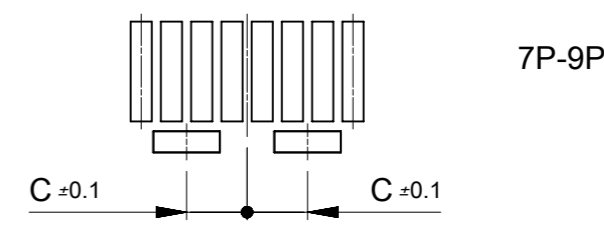
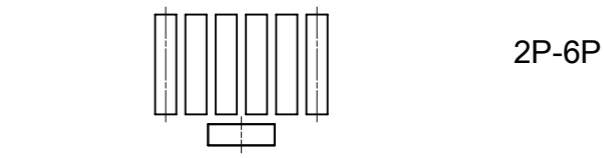
嵌合寸法
MATED DIMENSION

| BLUE | YELLOW | RED | BLACK | NATURAL | HOUSING COLOR |
|---------------------------------|-------------|-------------|-------------|-------------|---------------|
| 201201 0164 | 201201 0163 | 201201 0162 | 201201 0161 | 201201 0160 | 16 |
| 201201 0154 | 201201 0153 | 201201 0152 | 201201 0151 | 201201 0150 | 15 |
| 201201 0144 | 201201 0143 | 201201 0142 | 201201 0141 | 201201 0140 | 14 |
| 201201 0134 | 201201 0133 | 201201 0132 | 201201 0131 | 201201 0130 | 13 |
| 201201 0124 | 201201 0123 | 201201 0122 | 201201 0121 | 201201 0120 | 12 |
| 201201 0114 | 201201 0113 | 201201 0112 | 201201 0111 | 201201 0110 | 11 |
| 201201 0104 | 201201 0103 | 201201 0102 | 201201 0101 | 201201 0100 | 10 |
| 201201 0094 | 201201 0093 | 201201 0092 | 201201 0091 | 201201 0090 | 9 |
| 201201 0084 | 201201 0083 | 201201 0082 | 201201 0081 | 201201 0080 | 8 |
| 201201 0074 | 201201 0073 | 201201 0072 | 201201 0071 | 201201 0070 | 7 |
| 201201 0064 | 201201 0063 | 201201 0062 | 201201 0061 | 201201 0060 | 6 |
| 201201 0054 | 201201 0053 | 201201 0052 | 201201 0051 | 201201 0050 | 5 |
| 201201 0044 | 201201 0043 | 201201 0042 | 201201 0041 | 201201 0040 | 4 |
| 201201 0034 | 201201 0033 | 201201 0032 | 201201 0031 | 201201 0030 | 3 |
| 201201 0024 | 201201 0023 | 201201 0022 | 201201 0021 | 201201 0020 | 2 |
| エンボステープ梱包 EMBOSSED TAPE PACKAGE | | | | | 極数 |
| オーダー番号 ORDER NO. | | | | | CIRCUIT NO. |

| | | | | | | |
|---|--------|------------------------|------------|--|-----------------|--------------|
| THIS DRAWING CONTAINS INFORMATION THAT IS PROPRIETARY TO MOLEX ELECTRONIC TECHNOLOGIES, LLC AND SHOULD NOT BE USED WITHOUT WRITTEN PERMISSION | | CURRENT REV DESC: | | molex | | |
| DIMENSION UNITS | SCALE | | | | | |
| mm | NTS | | | SPOT-ON 2.0W/B SINGLE ROW SMT PLUG ASSEMBLY | | |
| GENERAL TOLERANCES (UNLESS SPECIFIED) | | EC NO: 602476 | | PRODUCT CUSTOMER DRAWING | | |
| ANGULAR TOL | ± 3.0° | DRWN: TENAGASE | 2018/08/07 | DOCUMENT NUMBER | | |
| 4 PLACES | ± | CHK'D: KOMURAKAMI | 2018/09/25 | DOC TYPE | | |
| 3 PLACES | ± | APPR: TKANEKO | 2018/09/25 | DOC PART | | |
| 2 PLACES | ± 0.2 | INITIAL REVISION: | | REVISION | | |
| 1 PLACE | ± 0.2 | DRWN: MHAYASHI | 2017/08/15 | 2012011060-SD | | |
| 0 PLACES | ± 0.2 | APPR: TKANEKO | 2017/08/24 | PSD | 000 | B |
| DRAFT WHERE APPLICABLE MUST REMAIN WITHIN DIMENSIONS | | THIRD ANGLE PROJECTION | DRAWING | SERIES | MATERIAL NUMBER | CUSTOMER |
| | | | A3-SIZE | 201201 | SEE CHART | GENERAL |
| | | | | | | SHEET NUMBER |
| | | | | | | 2 OF 3 |



推奨基板レイアウト
 RECOMMENDED PWB PATTERN LAYOUT
 (参考: メタルマスク厚さ: 120μm. マスク開口率100%)
 (REFERENCE: STENCIL THICKNESS: 120μm APERTURE RATIO: 100%)



| | | | | | | | | | |
|---|--|------------------------|--|------------------------------|--|--------|--|--|--|
| THIS DRAWING CONTAINS INFORMATION THAT IS PROPRIETARY TO MOLEX ELECTRONIC TECHNOLOGIES, LLC AND SHOULD NOT BE USED WITHOUT WRITTEN PERMISSION | | | | | | | | | |
| DIMENSION UNITS | | SCALE | | CURRENT REV DESC: | | | | molex | |
| mm | | NTS | | | | | | | |
| GENERAL TOLERANCES (UNLESS SPECIFIED) | | | | EC NO: 602476 | | | | SPOT-ON 2.0W/B SINGLE ROW SMT PLUG ASSEMBLY | |
| ANGULAR TOL ± 3.0° | | | | DRWN: TENAGASE 2018/08/07 | | | | | |
| 4 PLACES ± | | | | CHK'D: KOMURAKAMI 2018/09/25 | | | | | |
| 3 PLACES ± | | | | APPR: TKANEKO 2018/09/25 | | | | PRODUCT CUSTOMER DRAWING | |
| 2 PLACES ± 0.2 | | | | INITIAL REVISION: | | | | DOCUMENT NUMBER | |
| 1 PLACE ± 0.2 | | | | DRWN: MHAYASHI 2017/08/15 | | | | 2012011060-SD | |
| 0 PLACES ± 0.2 | | | | APPR: TKANEKO 2017/08/24 | | | | PSD 000 B | |
| DRAFT WHERE APPLICABLE MUST REMAIN WITHIN DIMENSIONS | | THIRD ANGLE PROJECTION | | DRAWING | | SERIES | | MATERIAL NUMBER | |
| | | | | A3-SIZE | | 201201 | | CUSTOMER | |
| | | | | | | | | GENERAL | |
| | | | | | | | | SHEET NUMBER | |
| | | | | | | | | 3 OF 3 | |