

PART NUMBER MATRIX

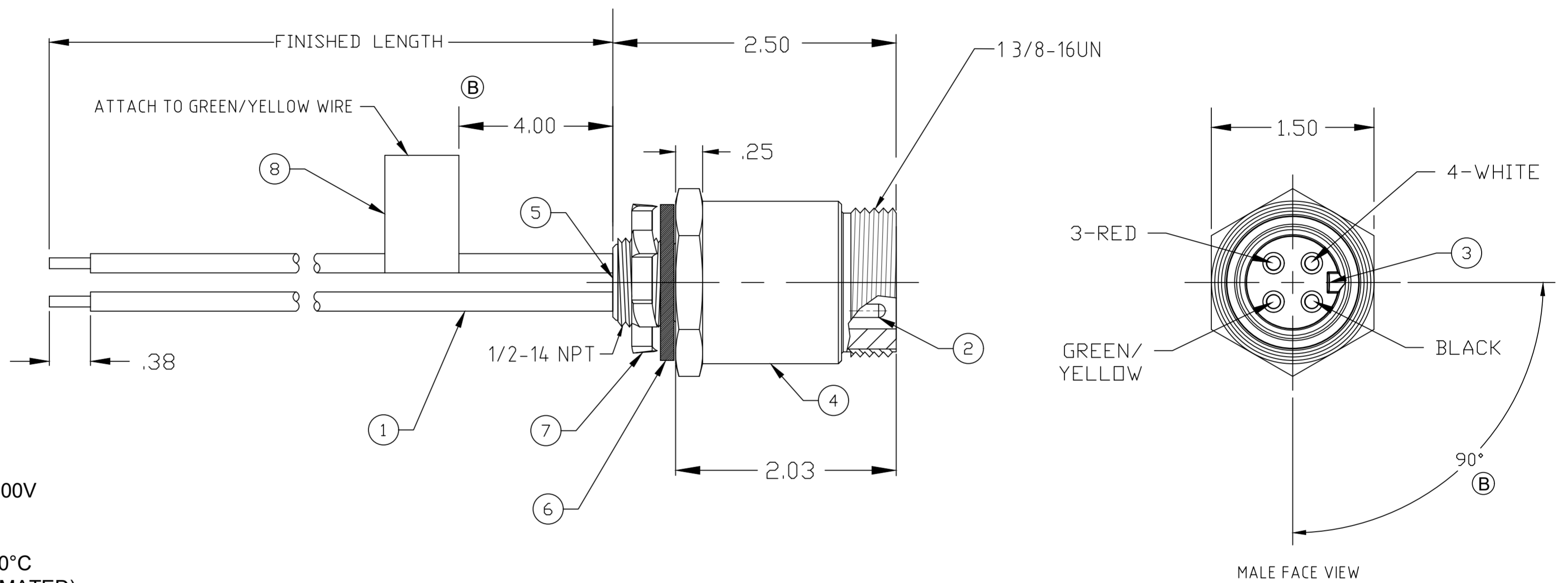
CR4006A20A120

FINISHED LENGTH:
 A120= 12 IN.
 F020= 2 FEET
 F100= 10 FEET
 M005= 0.5 METER
 M010= 1.0 METER
 M100= 10.0 METE

PART NUMBER	ENGINEERING NUMBER	LENGTH
1300662004	CR4006A20A120	12.0 IN [0.3M]

CABLE LENGTH TOLERANCES

>.3M [1FT]:	+19mm-0 [+.75in-0]
.3 - .9M [1 - 3FT]:	+44.5mm-0 [+1.75in-0]
.9 - 1.8M [3 - 6FT]:	+55.6mm-0 [+2.19in-0]
1.8 - 3.7M [6 - 12FT]:	+88.9mm-0 [+3.50in-0]
3.7 - 7.3M [12 - 24FT]:	+165.1mm-0 [+6.50in-0]
7.3-14.6M [24 - 48FT]:	+317.5mm-0 [+12.50in-0]
14.6 - 30.5M [48-100FT]:	+622.3mm-0 [+24.50in-0]
OVER 30M [100FT]	+2% OF FINISHED LENGTH



- NOTES:**
1. MATERIAL: AS NOTED
 2. FINISH: AS NOTED
 3. ELECTRICAL:
 VOLTAGE PER IEC 60664: 500V
 600V PER UL 2237
 CURRENT: 20A
 4. TEMP RATING: -20°C TO +90°C
 5. PROTECTION: IP67 (WHEN MATED)
 6. COUPLING THREAD: AS NOTED
 7. UL LISTED FILE: E258922
 8. ALL DIMS ARE FOR REFERENCE UNLESS TOLERANCED OR NOTED OTHERWISE

ITEM	DESCRIPTION	MATERIAL	FINISH
8	FLAG LABEL	VINYL	YELLOW
7	LOCKNUT	STEEL	ZINC PLATE
6	GASKET	NEOPRENE	BLACK
5	POTTING MATERIAL	EPOXY	BLACK
4	RECEPTACLE SHELL	6061-T6 ALUMINUM	ANODIZED
3	MALE INSERT	TPE (D)	BLACK
2	CONTACT PIN	COPPER ALLOY	GOLD PLATED
1	WIRE, 12 AWG UL 1015	PVC JACKET	SEE FACE VIEW

<p>SYMBOLS</p> <p>▽ = 0</p> <p>▽ = 0</p> <p>▽ = 0</p> <p>▽ = 0</p> <p>▽ = 0</p> <p>▽ = 0</p> <p>▽ = 0</p> <p>▽ = 0</p> <p>▽ = 0</p> <p>▽ = 0</p> <p>▽ = 0</p>				<p>THIS DRAWING CONTAINS INFORMATION THAT IS PROPRIETARY TO MOLEX ELECTRONIC TECHNOLOGIES, LLC AND SHOULD NOT BE USED WITHOUT WRITTEN PERMISSION</p> <p>DIMENSION UNITS: HYBRID</p> <p>SCALE: 1:1</p> <p>GENERAL TOLERANCES (UNLESS SPECIFIED)</p> <table border="1"> <tr> <th></th> <th>mm</th> <th>INCH</th> </tr> <tr> <td>4 PLACES</td> <td>±----</td> <td>±----</td> </tr> <tr> <td>3 PLACES</td> <td>±----</td> <td>±----</td> </tr> <tr> <td>2 PLACES</td> <td>±----</td> <td>±----</td> </tr> <tr> <td>1 PLACE</td> <td>±----</td> <td>±----</td> </tr> <tr> <td>0 PLACES</td> <td>±----</td> <td>±----</td> </tr> </table> <p>ANGULAR TOL ± ---- °</p> <p>DRAFT WHERE APPLICABLE MUST REMAIN WITHIN DIMENSIONS</p>					mm	INCH	4 PLACES	±----	±----	3 PLACES	±----	±----	2 PLACES	±----	±----	1 PLACE	±----	±----	0 PLACES	±----	±----	<p>CURRENT REV DESC: UPDATE BORDER, NOTES, ADD 90 DEG, 4.00 WAS 7.00, ADD P/N MATRIX, CABLE LENGTH TOLS INSERT WAS PVC</p> <p>EC NO: 631946</p> <p>DRWN: RSTONE 2020/02/18</p> <p>CHK'D: MZIELINSKI 2020/04/03</p> <p>APPR: BWOODMAN 2020/04/07</p> <p>INITIAL REVISION:</p> <p>DRWN: MODELL 2008/09/05</p> <p>APPR: RDEROSS 2008/09/05</p> <p>THIRD ANGLE PROJECTION</p> <p>DRAWING: C-SIZE</p> <p>SERIES: 130066</p>				<p>molex</p> <p>BRAD POWER RECEPTACLE</p> <p>MALE, SINGLE KEY, 1/2 NPT, 16AWG</p> <p>PRODUCT CUSTOMER DRAWING</p> <p>DOCUMENT NUMBER: SD-130066-021</p> <p>DOC TYPE: PSD</p> <p>DOC PART: 001</p> <p>REVISION: B</p> <p>MATERIAL NUMBER: GENERAL MARKET</p> <p>CUSTOMER: GENERAL MARKET</p> <p>SHEET NUMBER: 1 OF 1</p>			
	mm	INCH																															
4 PLACES	±----	±----																															
3 PLACES	±----	±----																															
2 PLACES	±----	±----																															
1 PLACE	±----	±----																															
0 PLACES	±----	±----																															