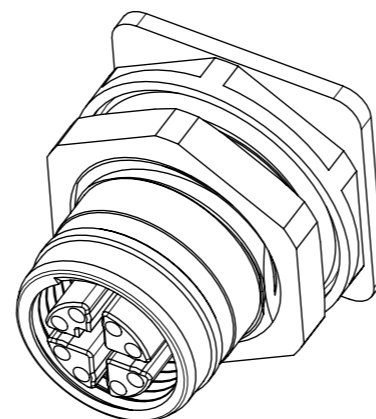


Technical Data:  
 M12 CAT6A receptacle back mount PCB 360° shielded.  
 Suited for wave application.

Poles: 8  
 Max. Voltage: 48V  
 Max Current: 0,5A  
 Contact resistance: Less than 5m Ohm  
 Insulation withstand: >100M Ohm  
 Protection: IP67  
 Temperature range: -40°C to 85°C  
 Transmission characteristics (category): CAT6

For product specification see: PS-120341-001a

Packaging:  
 The receptacles are delivered in blister packs a 25 parts.  
 8 blister packages per carton.  
 All together 200 parts.

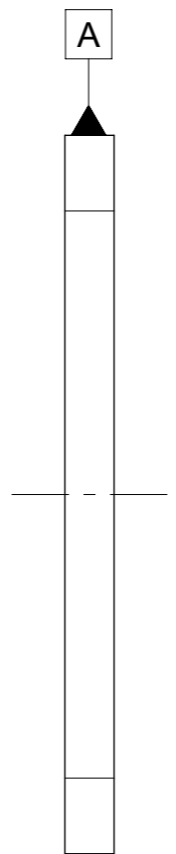
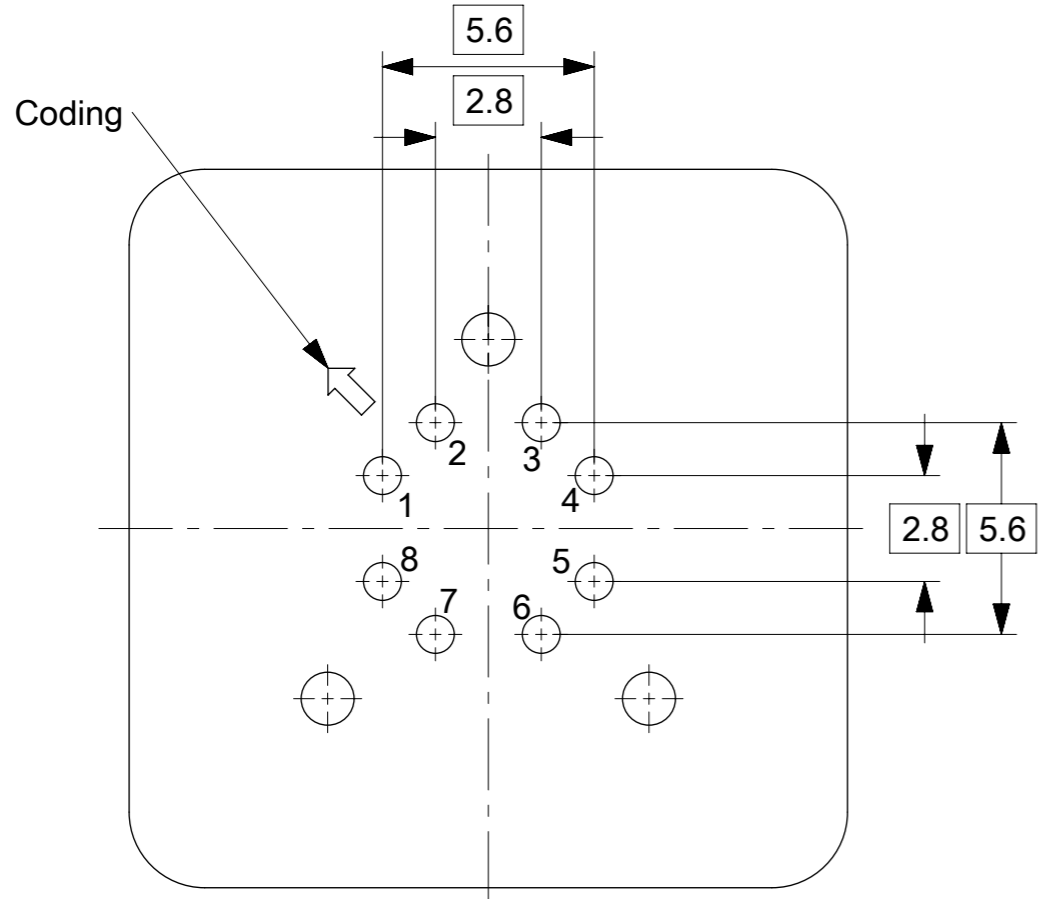


SCALE 2:1

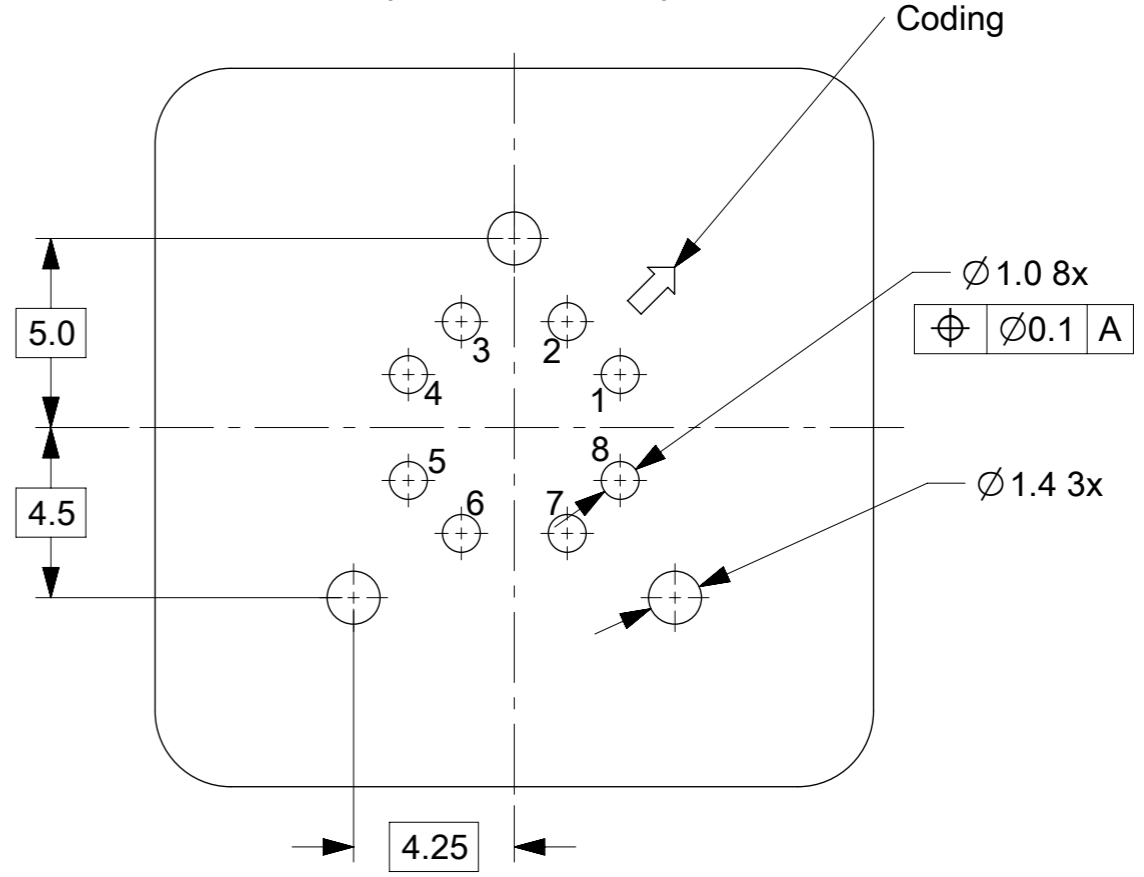
BOM

POS	DESCRIPTION	MATERIAL	FINISH
1	INSERT	PA BK	-
2	SCHIELDING CROSS	BRASS	NICKEL PLATED
3	CONTACT	BRASS	GOLD OVER NICKEL
4	HOUSING	BRASS	NICKEL PLATED
5	O-RING 7.1x1.35	FPM	RED
6	O-RING 15.7x1.3	EPDM BK	-
7	LOCK NUT	BRASS	NICKEL PLATED

FUNCTIONAL SYMBOLS	THIS DRAWING CONTAINS INFORMATION THAT IS PROPRIETARY TO MOLEX ELECTRONIC TECHNOLOGIES, LLC AND SHOULD NOT BE USED WITHOUT WRITTEN PERMISSION		CURRENT REV DESC: REPLACED GASKET					
	$\nabla_A = 0$ $\nabla_F = 0$ $\nabla_V = 0$	DIMENSION UNITS: mm SCALE: 5:1 GENERAL TOLERANCES (UNLESS SPECIFIED): ANGULAR TOL ± 1.0° 4 PLACES ±						
DIVISIONAL SYMBOLS	3 PLACES ± 2 PLACES ± 0.05 1 PLACE ± 0.3 0 PLACES ± 0.5	INITIAL REVISION: DRWN: LRAMAMURTHY APPR: RSILLER 2016/10/06 2016/12/14	DOCUMENT NUMBER: 1203410150 DOC TYPE: PSD DOC PART: 000 REVISION: B	DRAFT WHERE APPLICABLE MUST REMAIN WITHIN DIMENSIONS THIRD ANGLE PROJECTION DRAWING: A3-SIZE SERIES: 120341 MATERIAL NUMBER: 1203410150 CUSTOMER: GENERAL MARKET SHEET NUMBER: 1 OF 3				



Rear View  
(Solder Side)



Cable color code and position  
on receptacle:

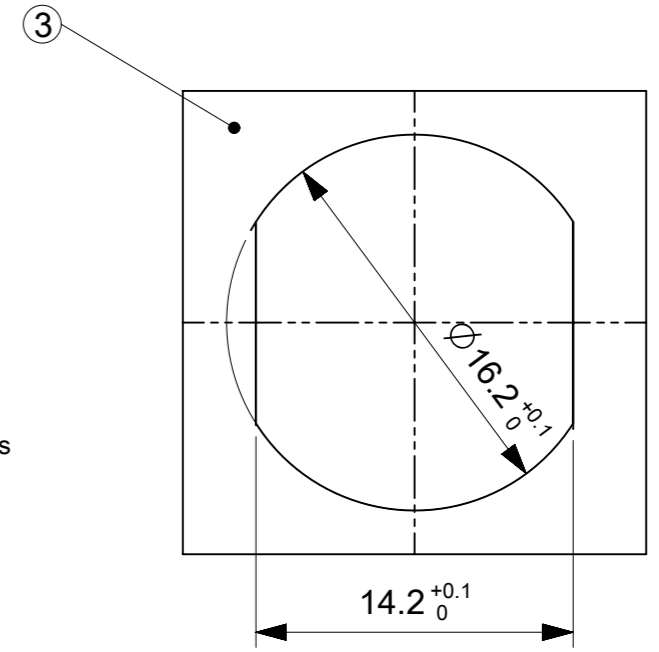
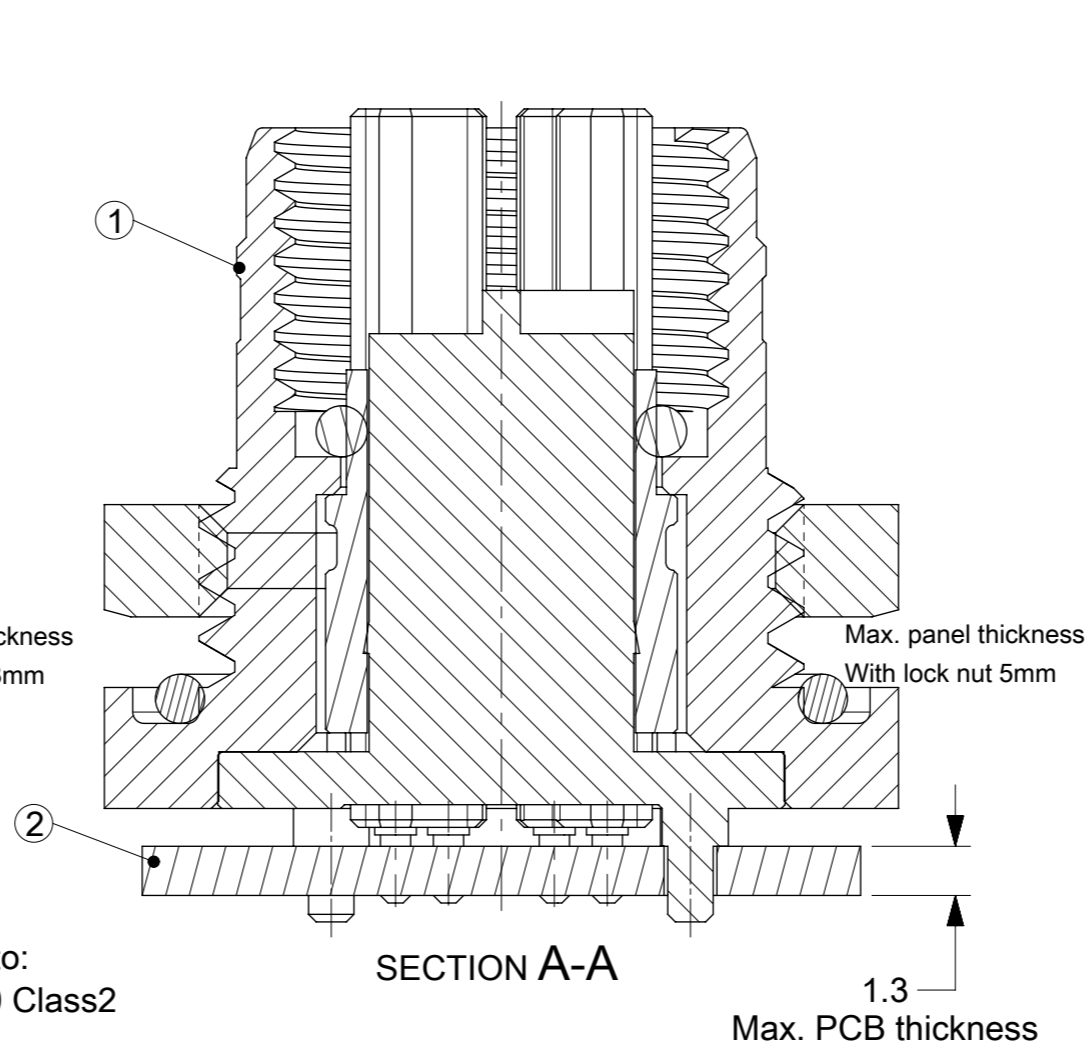
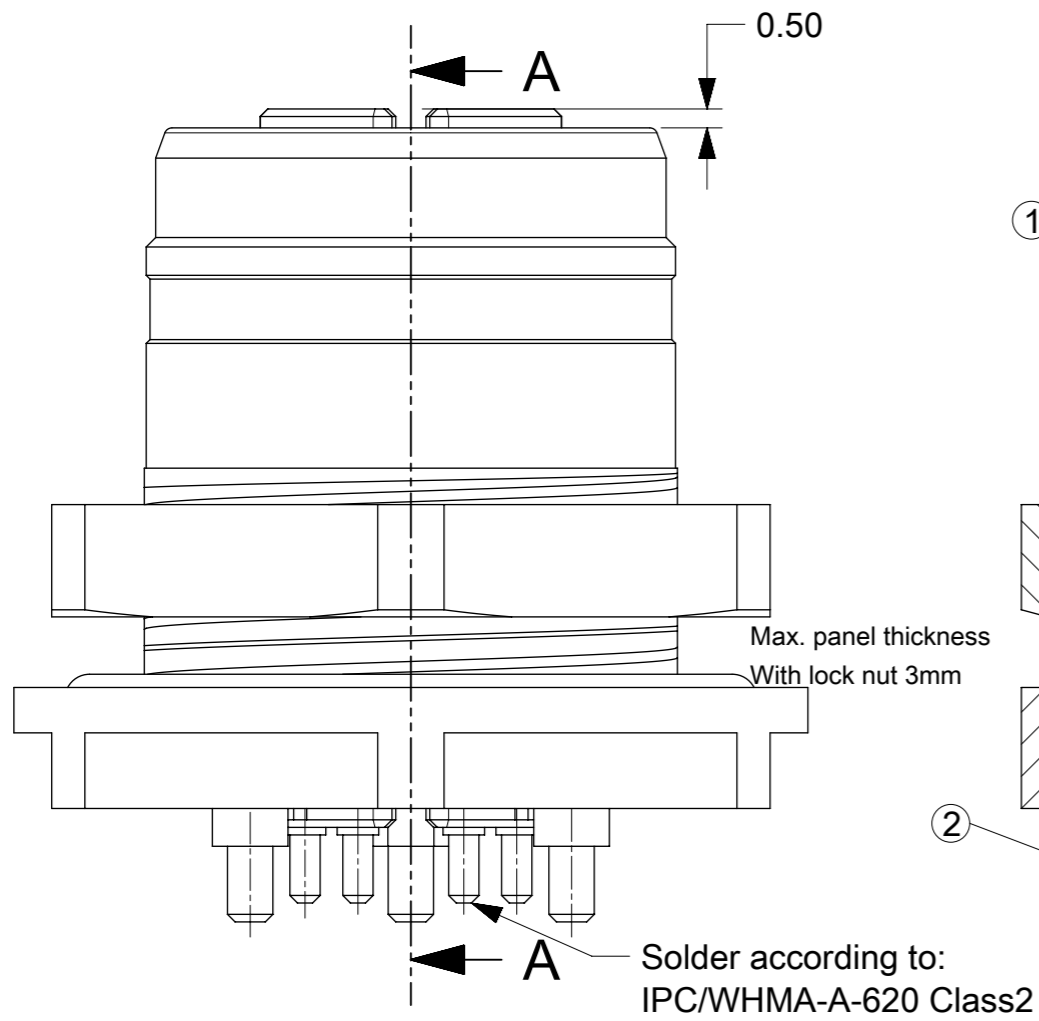
- 1 white-orange
- 2 orange
- 3 white-green
- 4 green
- 5 white-brown
- 6 brown
- 7 white-blue
- 8 blue

PCB Pinout

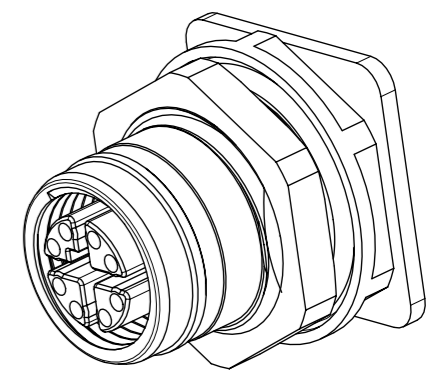
FUNCTIONAL SYMBOLS	THIS DRAWING CONTAINS INFORMATION THAT IS PROPRIETARY TO MOLEX ELECTRONIC TECHNOLOGIES, LLC AND SHOULD NOT BE USED WITHOUT WRITTEN PERMISSION		CURRENT REV DESC: REPLACED GASKET		<b>molex</b>	
	DIMENSION UNITS	SCALE	GENERAL TOLERANCES (UNLESS SPECIFIED)			
$\nabla_A = 0$	mm	5:1	ANGULAR TOL $\pm 1.0^\circ$		REC M12 8P 0C FE FM	
$\nabla_B = 0$	4 PLACES $\pm$		EC NO: 660894		PRODUCT CUSTOMER DRAWING	
$\nabla_C = 0$	3 PLACES $\pm$		DRWN: MDHARMANTI 2021/02/26		DOCUMENT NUMBER	
$\nabla_D = 0$	2 PLACES $\pm 0.05$		CHK'D: RSILLER 2021/05/18		1203410150	
DIVISIONAL SYMBOLS	1 PLACE $\pm 0.3$		APPR: RSILLER 2021/05/18		DOC TYPE DOC PART REVISION	
	0 PLACES $\pm 0.5$		INITIAL REVISION:		PSD 000 B	
	DRAFT WHERE APPLICABLE MUST REMAIN WITHIN DIMENSIONS		DRWN: LRAMAMURTHY 2016/10/06		SHEET NUMBER	
	THIRD ANGLE PROJECTION		APPR: RSILLER 2016/12/14		2 OF 3	
	DRAWING A3-SIZE		SERIES 120341		MATERIAL NUMBER 1203410150	
			CUSTOMER GENERAL MARKET			

View with lock nut

View without lock nut



- Pos. Description
- 1 Receptacle Back Mount
  - 2 PCB
  - 3 Cutout



SCALE 2:1

ASSEMBLY OF THE RECEPTACLE:

1. The receptacle (1) is soldered to PCB (2)(wave or reflow possible)  
The grounding can be over the ground pins of her receptacle and, if needed, over the midpoint of the shielding cross.
2. The PCB with receptacles is mounted from the back side into the cutout(3) and fastened per screwing in or locknut.

FUNCTIONAL SYMBOLS	THIS DRAWING CONTAINS INFORMATION THAT IS PROPRIETARY TO MOLEX ELECTRONIC TECHNOLOGIES, LLC AND SHOULD NOT BE USED WITHOUT WRITTEN PERMISSION		CURRENT REV DESC: REPLACED GASKET	
	△/A = 0	mm	SCALE	5:1
DIVISIONAL SYMBOLS	GENERAL TOLERANCES (UNLESS SPECIFIED)			
	△/E = 0	ANGULAR TOL ± 1.0 °		
DIVISIONAL SYMBOLS	△/F = 0	4 PLACES	±	
		3 PLACES	±	
		2 PLACES	±	0.05
		1 PLACE	±	0.3
		0 PLACES	±	0.5
DRAFT WHERE APPLICABLE MUST REMAIN WITHIN DIMENSIONS		THIRD ANGLE PROJECTION	DRAWING	SERIES
			A3-SIZE	120341
		EC NO: 660894	DRWN: MDHARMANTI	2021/02/26
		CHK'D: RSILLER	APPR: RSILLER	2021/05/18
		INITIAL REVISION:	DRWN: LRAMAMURTHY	2016/10/06
			APPR: RSILLER	2016/12/14
		DOCUMENT NUMBER	1203410150	DOC TYPE DOC PART REVISION
			PSD	000 B
		MATERIAL NUMBER	1203410150	CUSTOMER
			GENERAL MARKET	SHEET NUMBER
				3 OF 3