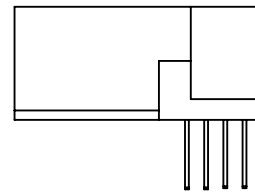
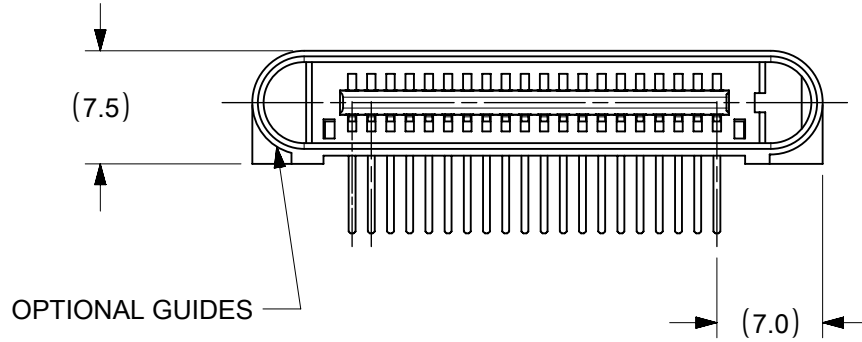
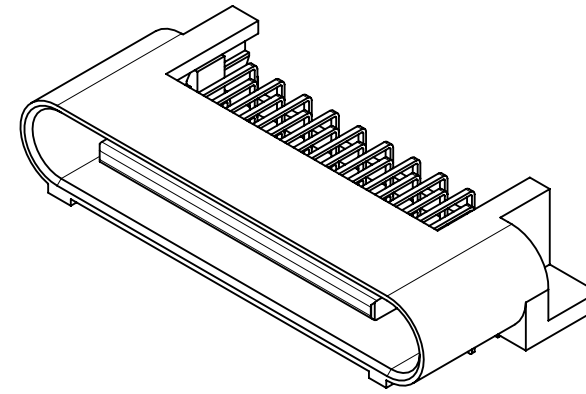
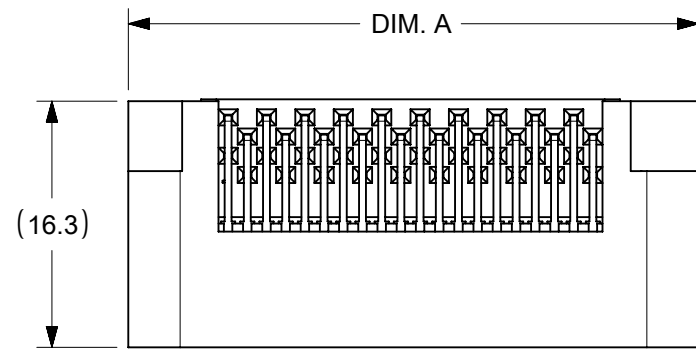


NO OF SIGNAL	MATERIAL NUMBER	DIM A	DIM P	PCB THK
12	45985-0111	12.5	4.50	3.18
16	45985-0121	15.0		
20	45985-0131	17.6		
24	45985-0141	20.1		
28	45985-0151	22.6		
32	45985-0161	25.2	3.60	2.36
36	45985-0171	27.7		
40	45985-0181	30.3		
12	45985-0112	12.5		
16	45985-0122	15.0		
20	45985-0132	17.6	2.90	1.57
24	45985-0142	20.1		
28	45985-0152	22.6		
32	45985-0162	25.2		
36	45985-0172	27.7		
40	45985-0182	30.3	2.90	1.57
12	45985-0113	12.5		
16	45985-0123	15.0		
20	45985-0133	17.6		
24	45985-0143	20.1	2.90	1.57
28	45985-0153	22.6		
32	45985-0163	25.2		
36	45985-0173	27.7		
40	45985-0183	30.3		

NOTES:

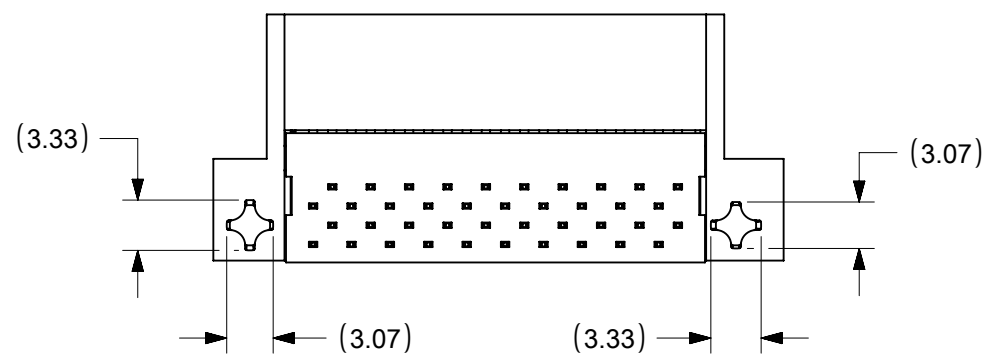
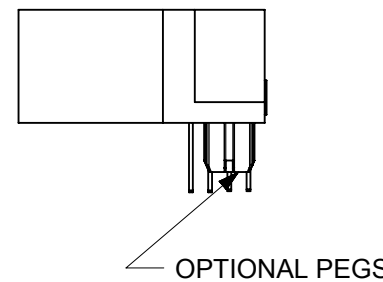
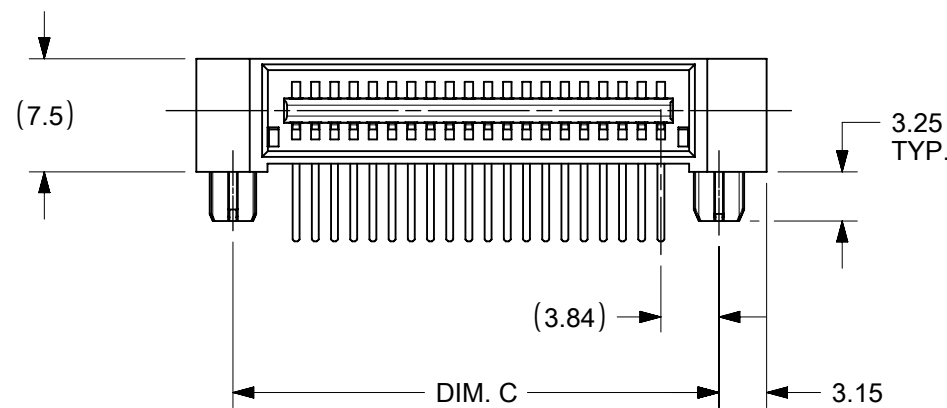
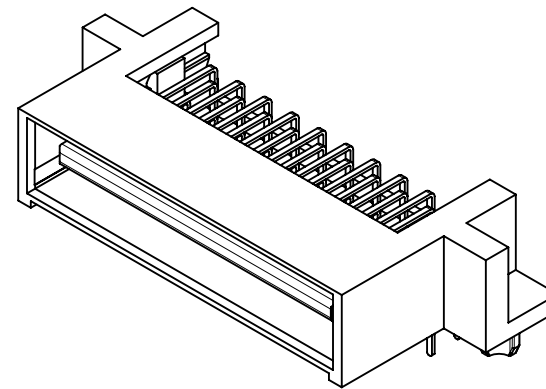
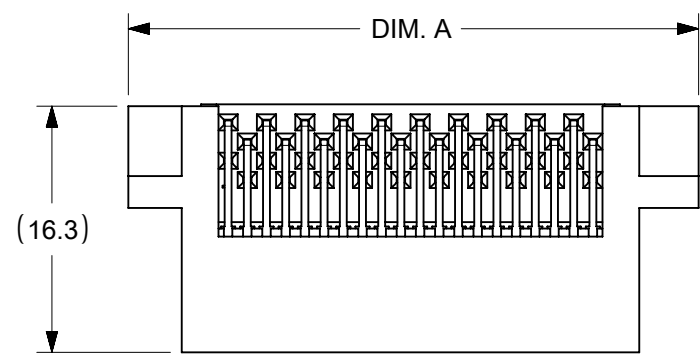
- MATERIAL:  
HOUSING: GLASS FILLED LCP (LIQUID CRYSTAL POLYMER); UL94V-0; COLOR: BLACK  
TERMINALS: COPPER ALLOY
- PLATING: 0.76 MICROMETER / (30 MICROINCH) MINIMUM SELECT GOLD  
3.81 MICROMETER / (150 MICROINCH) MINIMUM SELECT TIN, BOTH OVER  
1.27 MICROMETER / (50 MICROINCH) MINIMUM NICKEL OVERALL.
- PRODUCT SPECIFICATION: PS-45984-001.
- PACKAGING SPECIFICATION: PK-45984-001.
- SEE SHEET 5 FOR CIRCUIT IDENTIFICATION.
- PARTS ARE RoHS COMPLIANT.
- MATES WITH 45984, 46113 SERIES RECEPTACLE.

<b>SYMBOLS</b> DIMENSION UNITS: mm SCALE: 2:1 GENERAL TOLERANCES (UNLESS SPECIFIED): 4 PLACES ± 3 PLACES ± 2 PLACES ± 0.25 1 PLACE ± 0 PLACES ± ANGULAR TOL ± 0.5° DRAFT WHERE APPLICABLE MUST REMAIN WITHIN DIMENSIONS THIRD ANGLE PROJECTION DRAWING: B-SIZE SERIES: 45985	THIS DRAWING CONTAINS INFORMATION THAT IS PROPRIETARY TO MOLEX ELECTRONIC TECHNOLOGIES, LLC AND SHOULD NOT BE USED WITHOUT WRITTEN PERMISSION CURRENT REV DESC: CIRCUIT NO. 1 AND 2 ON PCB ARE CORRECTED EC NO: 676774 DRWN: CHETAB 2021/09/02 CHK'D: MBELLE 2021/09/07 APPR: HTHYAGARAJ 2021/09/09		 LPH PLUG ASSEMBLY SIGNAL CONNECTOR	
	PRODUCT CUSTOMER DRAWING DOCUMENT NUMBER: SD-45985-483 DOC TYPE: PSD DOC PART: 001 REVISION: D1			
	MATERIAL NUMBER: SEE CHART CUSTOMER: GENERAL MARKET SHEET NUMBER: 1 OF 5			



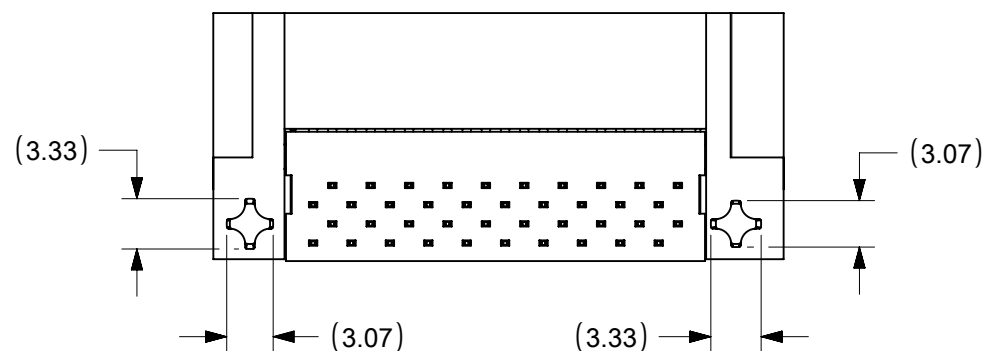
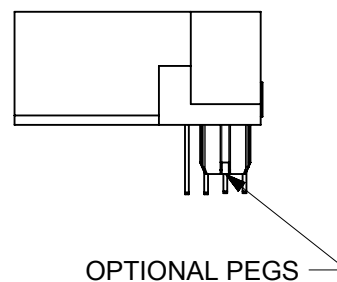
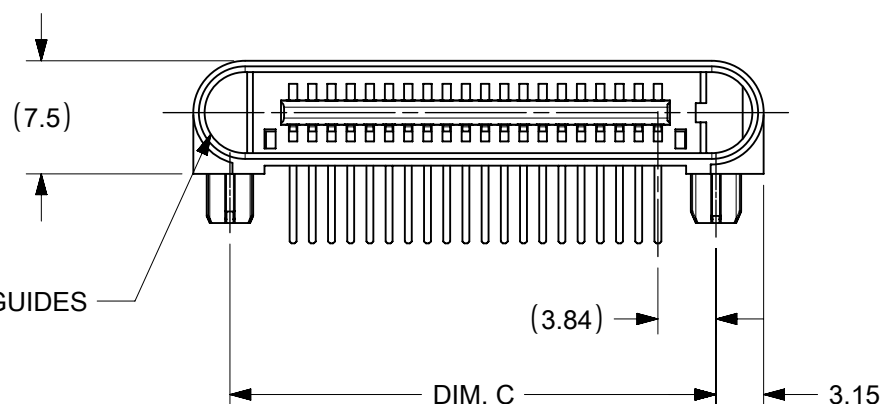
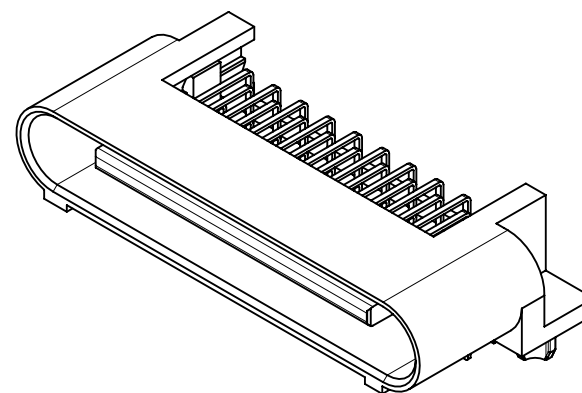
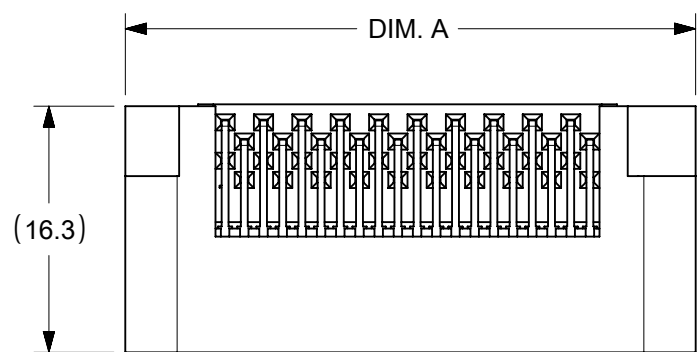
NO OF SIGNAL	MATERIAL NUMBER	DIM A	DIM P	PCB THK
12	45985-0211	19.9	4.50	3.18
16	45985-0221	22.5		
20	45985-0231	25.0		
24	45985-0241	27.6		
28	45985-0251	30.1		
32	45985-0261	32.6	3.60	2.36
36	45985-0271	35.2		
40	45985-0281	37.7		
12	45985-0212	19.9		
16	45985-0222	22.5		
20	45985-0232	25.0	2.90	1.57
24	45985-0242	27.6		
28	45985-0252	30.1		
32	45985-0262	32.6		
36	45985-0272	35.2		
40	45985-0282	37.7	2.90	1.57
12	45985-0213	19.9		
16	45985-0223	22.5		
20	45985-0233	25.0		
24	45985-0243	27.6		
28	45985-0253	30.1		
32	45985-0263	32.6		
36	45985-0273	35.2		
40	45985-0283	37.7		

SYMBOLS	THIS DRAWING CONTAINS INFORMATION THAT IS PROPRIETARY TO MOLEX ELECTRONIC TECHNOLOGIES, LLC AND SHOULD NOT BE USED WITHOUT WRITTEN PERMISSION				
	DIMENSION UNITS	SCALE	CURRENT REV DESC: CIRCUIT NO. 1 AND 2 ON PCB ARE CORRECTED		
▽ = 0	mm	2:1	<p><b>molex</b></p> <p>LPH PLUG ASSEMBLY SIGNAL CONNECTOR</p> <p>PRODUCT CUSTOMER DRAWING</p>		
▽ = 0	GENERAL TOLERANCES (UNLESS SPECIFIED)				
▽ = 0		MM			INCH
▽ = 0	4 PLACES ±	±			±
▽ = 0	3 PLACES ±	±			±
▽ = 0	2 PLACES ±	0.25	±	<p>EC NO: 676774</p> <p>DRWN: CHETAB 2021/09/02</p> <p>CHK'D: MBELLE 2021/09/07</p> <p>APPR: HTHYAGARAJ 2021/09/09</p>	
▽ = 0	1 PLACE ±	±	±	<p>INITIAL REVISION:</p> <p>DRWN: BANDURA 5/1/2006</p> <p>APPR: PATEL 5/5/2006</p>	
▽ = 0	0 PLACES ±	±	±	<p>DOCUMENT NUMBER</p> <p><b>SD-45985-483</b></p>	
▽ = 0	ANGULAR TOL ±	0.5°	±	<p>DOC TYPE</p> <p>PSD</p>	
▽ = 0	DRAFT WHERE APPLICABLE MUST REMAIN WITHIN DIMENSIONS	THIRD ANGLE PROJECTION	DRAWING	REVISION <p>001 D1</p>	
▽ = 0			SERIES	SHEET NUMBER <p>2 OF 5</p>	
			MATERIAL NUMBER	CUSTOMER	
			SEE CHART	GENERAL MARKET	



NO OF SIGNAL	MATERIAL NUMBER	DIM A	DIM C	DIM P	PCB THK
12	45985-0311	19.9	14.37	4.50	3.18
16	45985-0321	22.5	16.91		
20	45985-0331	25.0	19.45		
24	45985-0341	27.6	21.99		
28	45985-0351	30.1	24.53		
32	45985-0361	32.6	27.07	3.60	2.36
36	45985-0371	35.2	29.61		
40	45985-0381	37.7	32.15		
12	45985-0312	19.9	14.37		
16	45985-0322	22.5	16.91		
20	45985-0332	25.0	19.45	2.90	1.57
24	45985-0342	27.6	21.99		
28	45985-0352	30.1	24.53		
32	45985-0362	32.6	27.07		
36	45985-0372	35.2	29.61		
40	45985-0382	37.7	32.15		
12	45985-0313	19.9	14.37	2.90	1.57
16	45985-0323	22.5	16.91		
20	45985-0333	25.0	19.45		
24	45985-0343	27.6	21.99		
28	45985-0353	30.1	24.53		
32	45985-0363	32.6	27.07	2.90	1.57
36	45985-0373	35.2	29.61		
40	45985-0383	37.7	32.15		

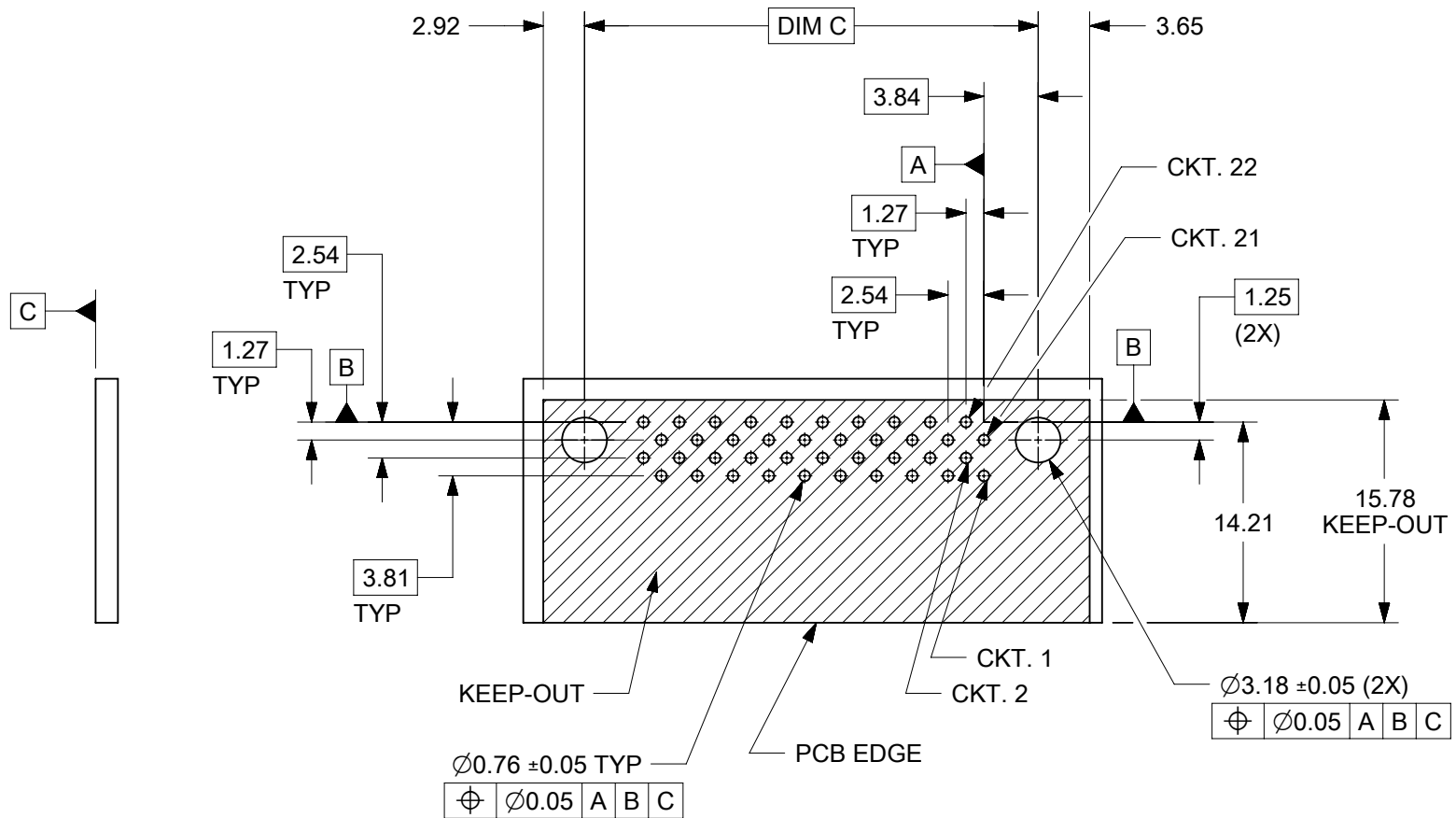
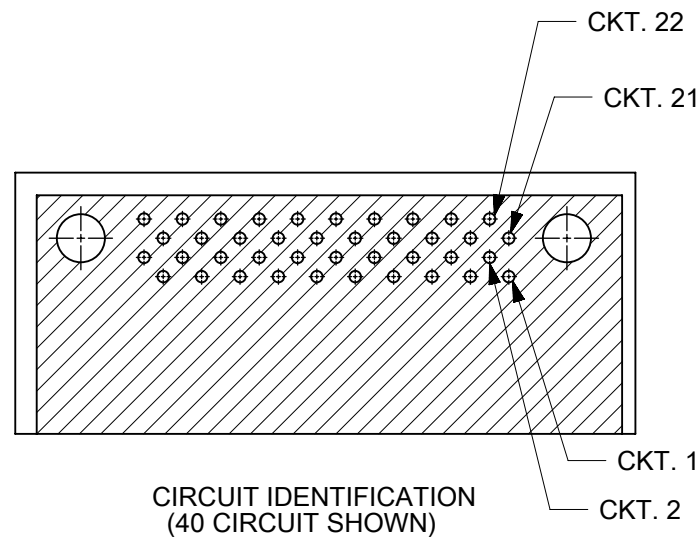
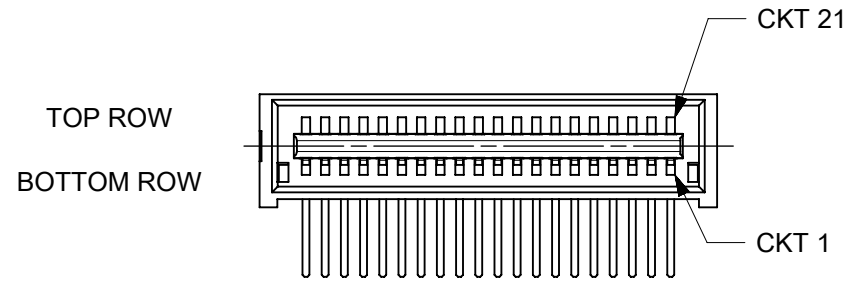
SYMBOLS	THIS DRAWING CONTAINS INFORMATION THAT IS PROPRIETARY TO MOLEX ELECTRONIC TECHNOLOGIES, LLC AND SHOULD NOT BE USED WITHOUT WRITTEN PERMISSION		CURRENT REV DESC: CIRCUIT NO. 1 AND 2 ON PCB ARE CORRECTED				
	DIMENSION UNITS	SCALE					
▽ = 0	mm	2:1	EC NO: 676774		PRODUCT CUSTOMER DRAWING		
▽ = 0	GENERAL TOLERANCES (UNLESS SPECIFIED)		DRWN: CHETAB 2021/09/02		DOCUMENT NUMBER		
▽ = 0		MM INCH	CHK'D: MBELLE 2021/09/07		SD-45985-483		
▽ = 0	4 PLACES ±	±	APPR: HTHYAGARAJ 2021/09/09		DOC TYPE DOC PART REVISION		
▽ = 0	3 PLACES ±	±	INITIAL REVISION:		PSD 001 D1		
▽ = 0	2 PLACES ± 0.25	±	DRWN: BANDURA 5/1/2006		MATERIAL NUMBER CUSTOMER SHEET NUMBER		
▽ = 0	1 PLACE ±	±	APPR: PATEL 5/5/2006		SEE CHART GENERAL MARKET 3 OF 5		
▽ = 0	0 PLACES ±	±	DRAFT WHERE APPLICABLE MUST REMAIN WITHIN DIMENSIONS		THIRD ANGLE PROJECTION DRAWING SERIES		
▽ = 0	ANGULAR TOL ± 0.5°		B-SIZE 45985				



NO OF SIGNAL	MATERIAL NUMBER	DIM A	DIM C	DIM P	PCB THK
12	45985-0411	19.9	14.37	4.50	3.18
16	45985-0421	22.5	16.91		
20	45985-0431	25.0	19.45		
24	45985-0441	27.6	21.99		
28	45985-0451	30.1	24.53		
32	45985-0461	32.6	27.07		
36	45985-0471	35.2	29.61		
40	45985-0481	37.7	32.15		
12	45985-0412	19.9	14.37	3.60	2.36
16	45985-0422	22.5	16.91		
20	45985-0432	25.0	19.45		
24	45985-0442	27.6	21.99		
28	45985-0452	30.1	24.53		
32	45985-0462	32.6	27.07		
36	45985-0472	35.2	29.61		
40	45985-0482	37.7	32.15		
12	45985-0413	19.9	14.37	2.90	1.57
16	45985-0423	22.5	16.91		
20	45985-0433	25.0	19.45		
24	45985-0443	27.6	21.99		
28	45985-0453	30.1	24.53		
32	45985-0463	32.6	27.07		
36	45985-0473	35.2	29.61		
40	45985-0483	37.7	32.15		

<b>SYMBOLS</b> DIMENSION UNITS: mm SCALE: 2:1 GENERAL TOLERANCES (UNLESS SPECIFIED): 4 PLACES ± 3 PLACES ± 2 PLACES ± 0.25 1 PLACE ± 0 PLACES ± ANGULAR TOL ± 0.5° DRAFT WHERE APPLICABLE MUST REMAIN WITHIN DIMENSIONS THIRD ANGLE PROJECTION DRAWING SERIES: B-SIZE 45985	THIS DRAWING CONTAINS INFORMATION THAT IS PROPRIETARY TO MOLEX ELECTRONIC TECHNOLOGIES, LLC AND SHOULD NOT BE USED WITHOUT WRITTEN PERMISSION CURRENT REV DESC: CIRCUIT NO. 1 AND 2 ON PCB ARE CORRECTED EC NO: 676774 DRWN: CHETAB 2021/09/02 CHK'D: MBELLE 2021/09/07 APPR: HTHYAGARAJ 2021/09/09 INITIAL REVISION: DRWN: BANDURA 5/1/2006 APPR: PATEL 5/5/2006		 LPH PLUG ASSEMBLY SIGNAL CONNECTOR PRODUCT CUSTOMER DRAWING		
	DOCUMENT NUMBER: SD-45985-483 DOC TYPE: PSD DOC PART: 001 REVISION: D1				
	MATERIAL NUMBER: SEE CHART CUSTOMER: GENERAL MARKET SHEET NUMBER: 4 OF 5				

NO OF SIGNAL	DIM C
12	14.37
16	16.91
20	19.45
24	21.99
28	24.53
32	27.07
36	29.61
40	32.15



RECOMMENDED PCB LAYOUT  
SHOWN FROM COMPONENT SIDE

<b>SYMBOLS</b> = 0 = 0 = 0 = 0 = 0 = 0 = 0 = 0	THIS DRAWING CONTAINS INFORMATION THAT IS PROPRIETARY TO MOLEX ELECTRONIC TECHNOLOGIES, LLC AND SHOULD NOT BE USED WITHOUT WRITTEN PERMISSION		CURRENT REV DESC: CIRCUIT NO. 1 AND 2 ON PCB ARE CORRECTED		  LPH PLUG ASSEMBLY SIGNAL CONNECTOR  PRODUCT CUSTOMER DRAWING																
	DIMENSION UNITS: <b>mm</b> SCALE: <b>2:1</b>		EC NO: 676774 DRWN: CHETAB 2021/09/02 CHK'D: MBELLE 2021/09/07 APPR: HTHYAGARAJ 2021/09/09			DOCUMENT NUMBER: <b>SD-45985-483</b>															
	GENERAL TOLERANCES (UNLESS SPECIFIED)		INITIAL REVISION: DRWN: BANDURA 5/1/2006 APPR: PATEL 5/5/2006			DOC TYPE: PSD DOC PART: 001 REVISION: D1															
	<table border="1"> <thead> <tr> <th></th> <th>MM</th> <th>INCH</th> </tr> </thead> <tbody> <tr> <td>4 PLACES</td> <td>±</td> <td>±</td> </tr> <tr> <td>3 PLACES</td> <td>±</td> <td>±</td> </tr> <tr> <td>2 PLACES</td> <td>± 0.25</td> <td>±</td> </tr> <tr> <td>1 PLACE</td> <td>±</td> <td>±</td> </tr> <tr> <td>0 PLACES</td> <td>±</td> <td>±</td> </tr> </tbody> </table>			MM		INCH	4 PLACES	±	±	3 PLACES	±	±	2 PLACES	± 0.25	±	1 PLACE	±	±	0 PLACES	±	±
	MM	INCH																			
4 PLACES	±	±																			
3 PLACES	±	±																			
2 PLACES	± 0.25	±																			
1 PLACE	±	±																			
0 PLACES	±	±																			