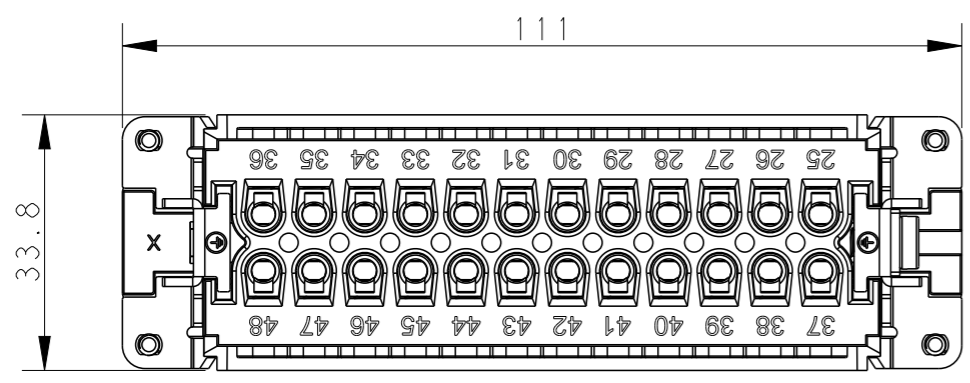


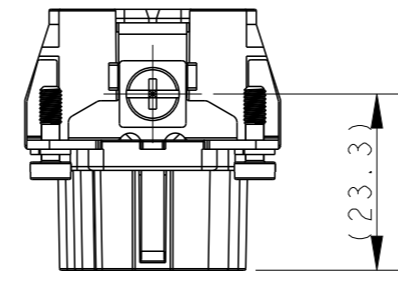
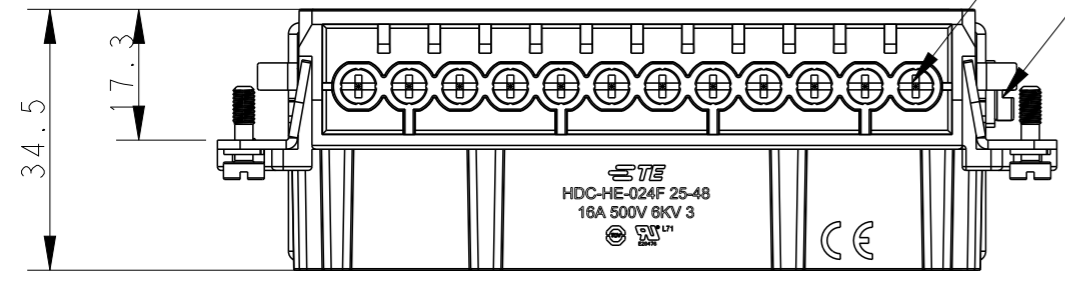
THIS DRAWING IS UNPUBLISHED. RELEASED FOR PUBLICATION 20  
 © COPYRIGHT 20 BY - ALL RIGHTS RESERVED.

REVISIONS					
P	LTR	DESCRIPTION	DATE	DWN	APVD
A		INITIAL	07Jan2015	GY	CW
B		ECR-15-013759	28SEP2015	DW	CW
C		ECR-21-106515	12JUL2021	SQ	CW

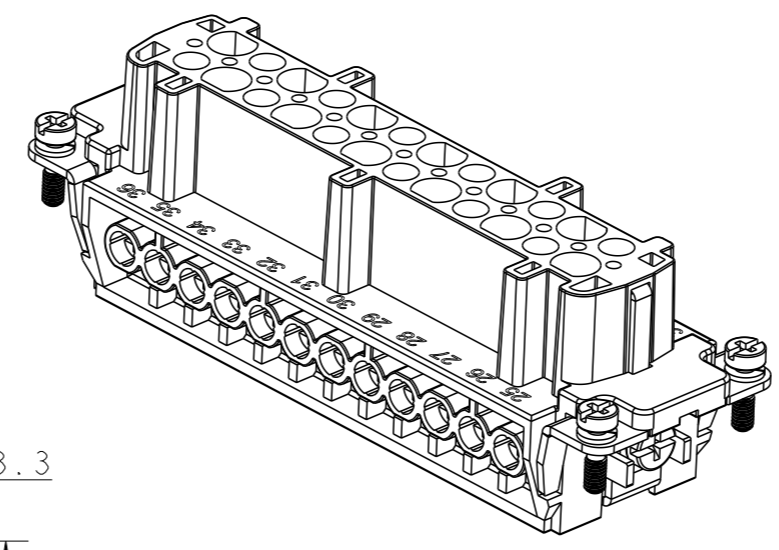
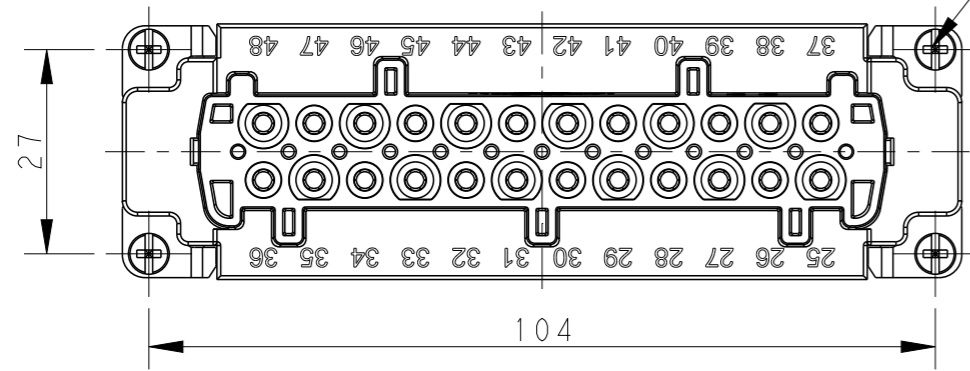


24 X M3 screw, recommended tightening torque 0.5Nm

M4 screw, recommended tightening torque 1.2Nm



4 X M3 screw, recommended tightening torque 0.5Nm

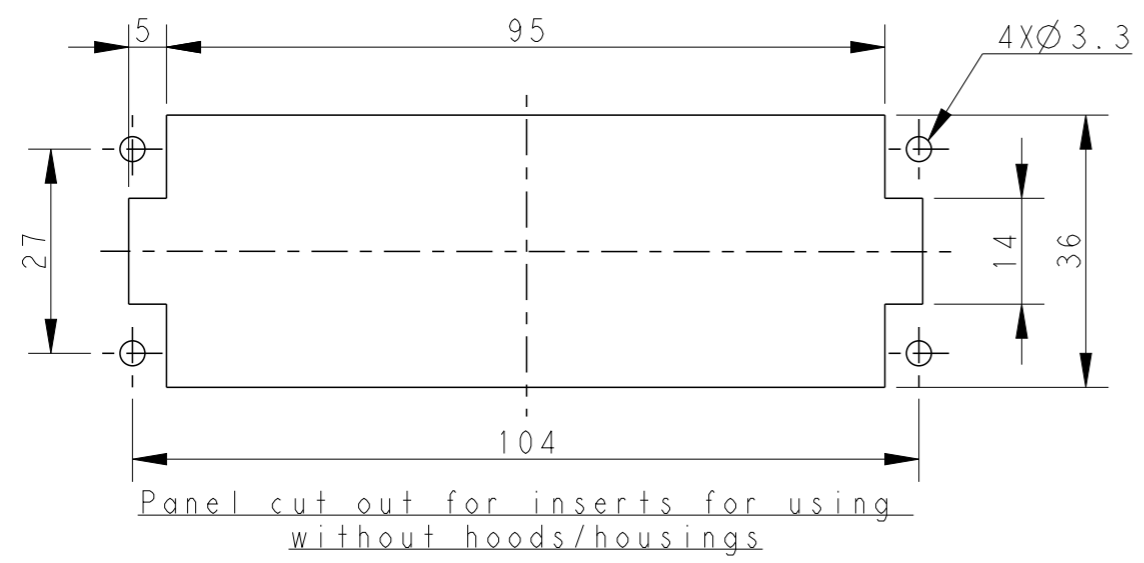


NOTES:

- TECHNICAL CHARACTERISTICS:  
 INSULATION MATERIAL: PC  
 RATED VOLTAGE: 500V  
 RATED CURRENT: 16A  
 INSULATION RESISTANCE: >=400MΩ  
 RATED IMPULSE VOLTAGE: 6KV  
 POLLUTION DEGREE: 3  
 FLAMMABILITY: UL94V-0  
 MATING CYCLES: 500 CYCLES  
 OPERATION TEMPERATURE: -40°C~+125°C  
 WIRE RANGE: 0.5mm<sup>2</sup>~2.5mm<sup>2</sup> (AWG20-AWG14)  
 CONTACT TYPE: SCREW CLAMP (M3)

注释:

- 技术参数:  
 绝缘材料: PC  
 额定电压: 500V  
 额定电流: 16A  
 绝缘电阻: >=400MΩ  
 脉冲电压: 6KV  
 污染等级: 3  
 阻燃等级: UL94V-0  
 插拔次数: 500 次  
 工作温度: -40°C~+125°C  
 接线范围: 0.5mm<sup>2</sup>~2.5mm<sup>2</sup> (AWG20-AWG14)  
 接线类型: 螺丝压接 (M3)



HE-024-F 25-48	T2040482201-000
DESCRIPTION	PART NUMBER

THIS DRAWING IS A CONTROLLED DOCUMENT.		DWN	Gino.Yao	06Jan2015	NAME HE-024-F 25-48
DIMENSIONS: mm		CHK	Chris.Wang	06Jan2015	
TOLERANCES UNLESS OTHERWISE SPECIFIED:		APVD	Xiang.Xu	06Jan2015	
0 PLC ±- 1 PLC ±- 2 PLC ±- 3 PLC ±- 4 PLC ±- ANGLES ±-		PRODUCT SPEC	108-137044		
MATERIAL		APPLICATION SPEC	114-137044		SIZE
		WEIGHT	-		CAGE CODE
		CUSTOMER DRAWING	-		DRAWING NO
		SCALE	1:1		RESTRICTED TO
		SHEET	1 OF 1		REV
					C