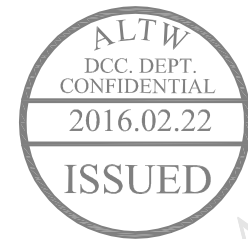
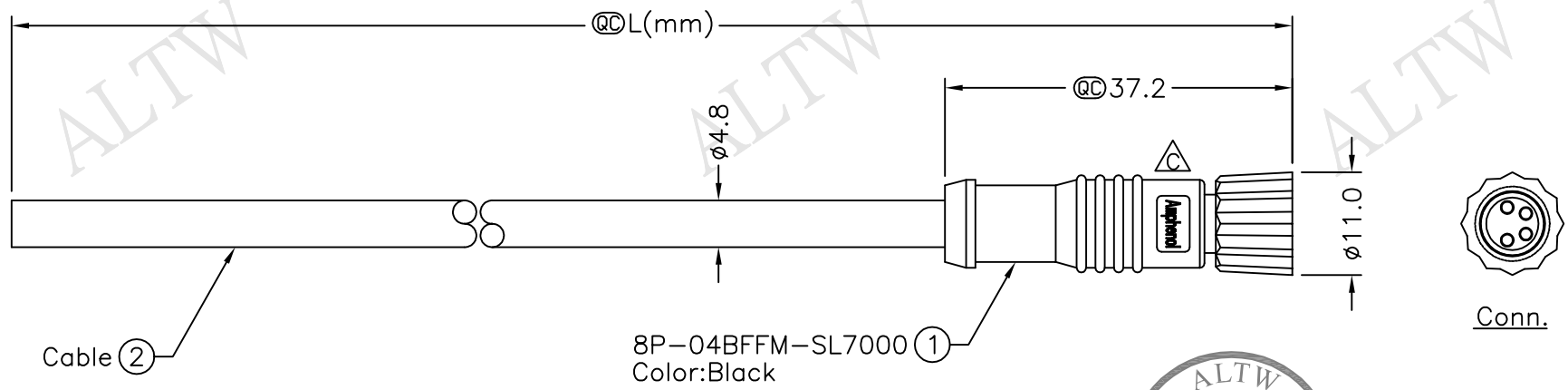
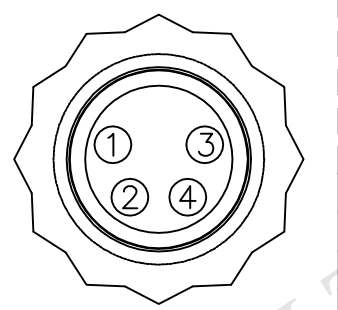


REV.	ECN NO.	DATE	SIGN	DESCRIPTION
B	LEN-920311~314	2009/02/09	Vicky	Update the drawing.
C	LEN1620227~231	2016/02/01	Ruru	Change Logo



8P-04BFFM-SL7BXX
 XX:01~99Meters
 01:01Meter
 02:02Meters
 :
 :
 99:99Meters
 Cable Length(L):01~99Meters

- Notes:
- * @C Important Dimension.
 - * Waterproof Rate:IP67.
 - * Connector:Black,PU.
 - * Female Pin:Copper Alloy,Gold Plated.
 - * Cable:22AWG*4C+Insulation,Black,PU,OD=4.8mm.
 - △* Cable Length Tolerance: 01M:±40mm
 02M~05M:±60mm
 06M~10M:±100mm
 11M~30M:±200mm
 31M~99M:±500mm



Pin Assignments
Front View

4	Black	黑
3	Blue	藍
2	White	白
1	Brown	棕
Conn.	Wire Color	
Pin Out		

UNIT:mm	
TOLERANCE	±0.5 mm

TITLE	M8 Conn	
	Cable Screw 4P F Conn F Pin	
SCALE	Free	SHEET 1 OF 1
REV. C	SIZE A4	@C :Inspection Item

Amphenol LTW
 安費諾亮泰企業股份有限公司

ITEM NO	8P-04BFFM-SL7BXX	DRAWN BY	Ruru	DATE	2016/02/01
DWG NO	8P-04BFFM-SL7BXX	CHECKED BY	Rita	DATE	2016/02/01
CUSTOMER	ALTW	APPROVED BY	Lisa	DATE	2016/02/01

THIS DOCUMENT IS SUBJECT TO CHANGE WITHOUT NOTICE. IT IS CONFIDENTIAL AND A PROPERTY OF Amphenol LTW. DISCLOSE TO THIRD PARTY HAS TO BE AUTHORIZED BY Amphenol LTW.