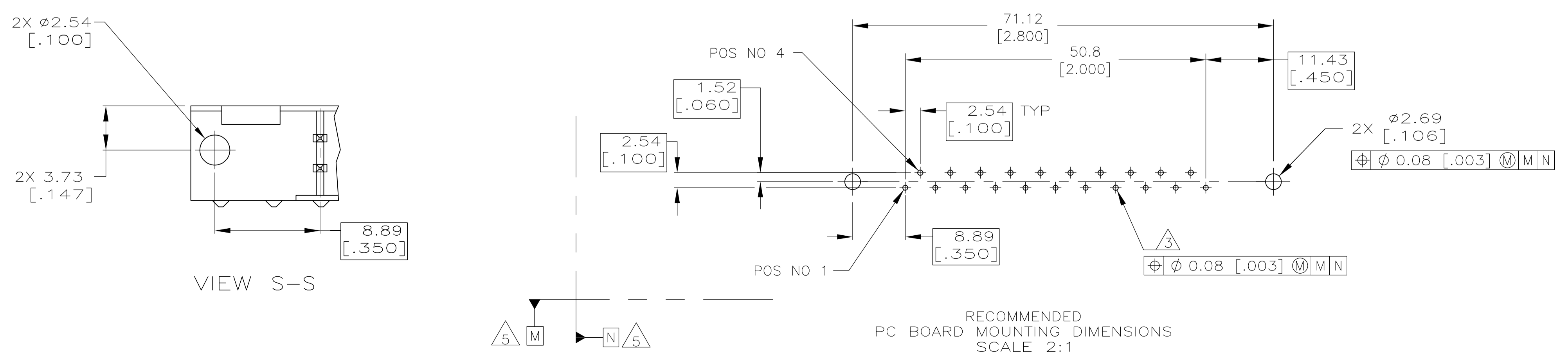
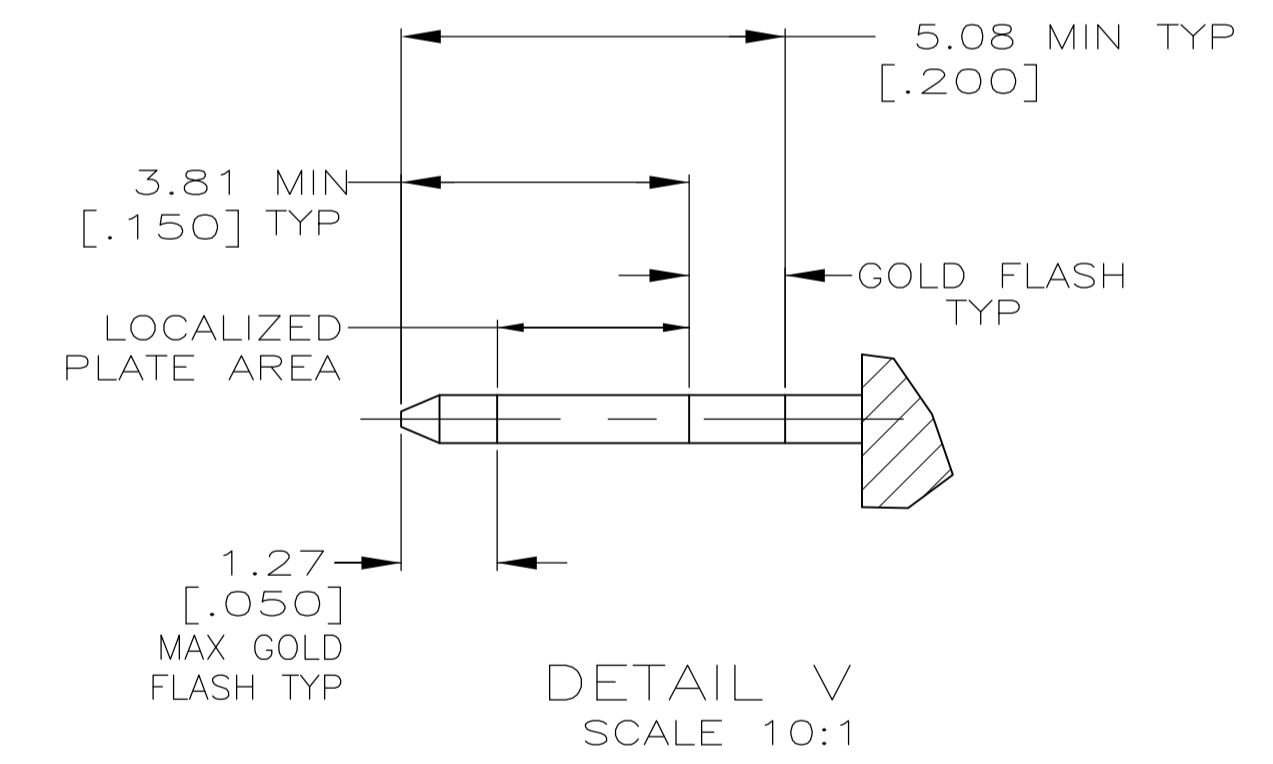
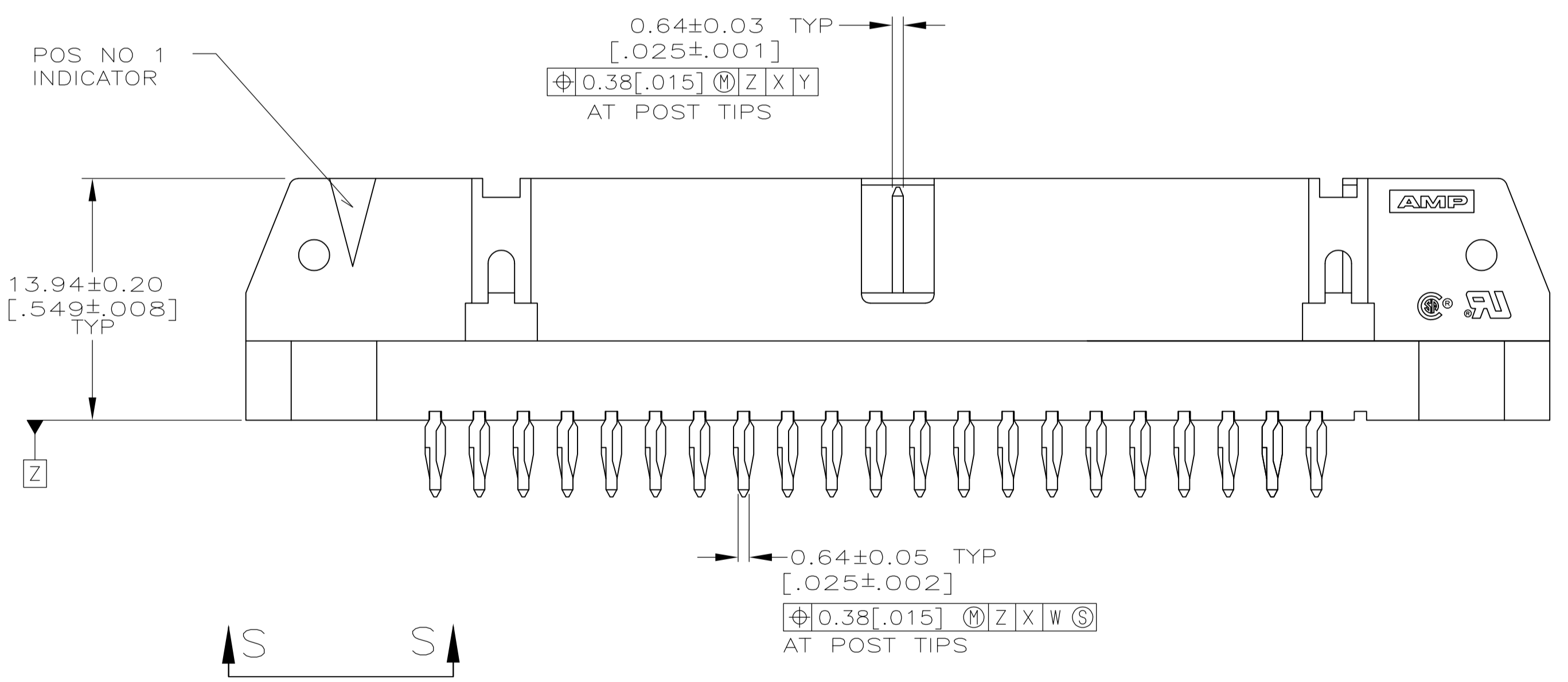
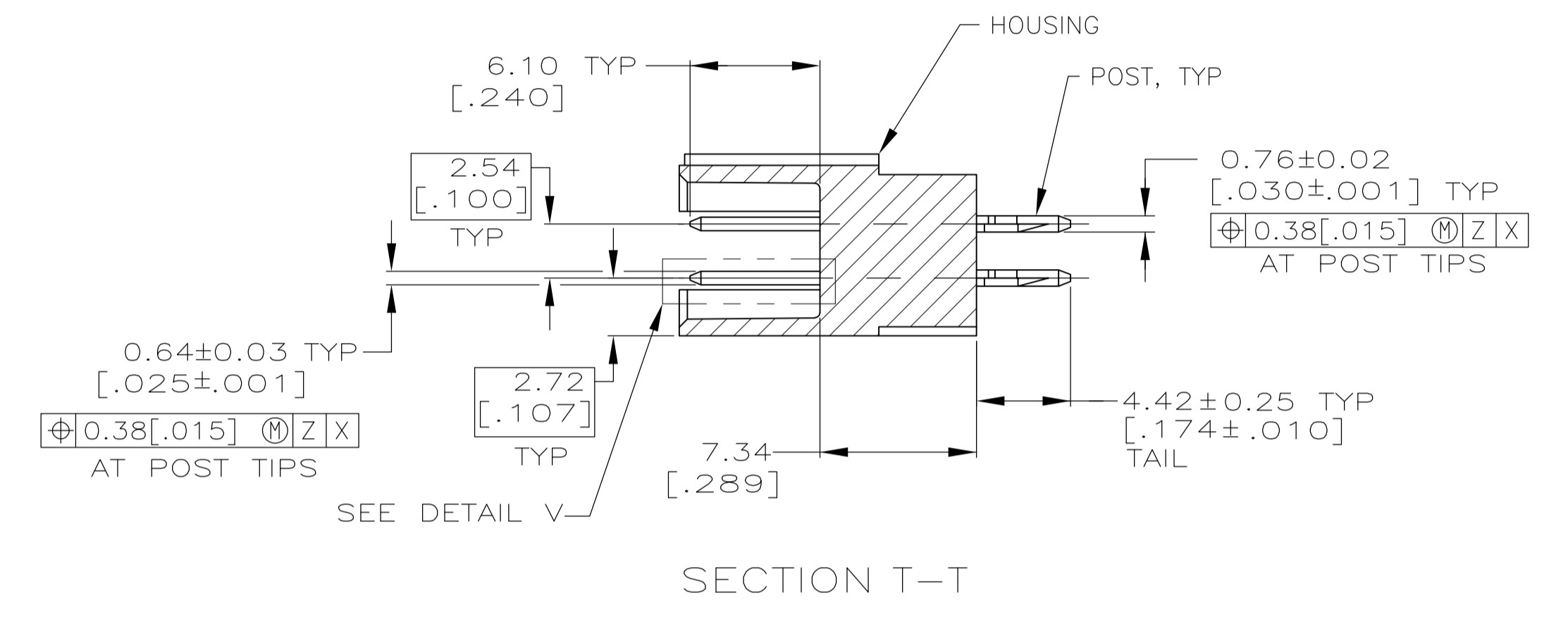
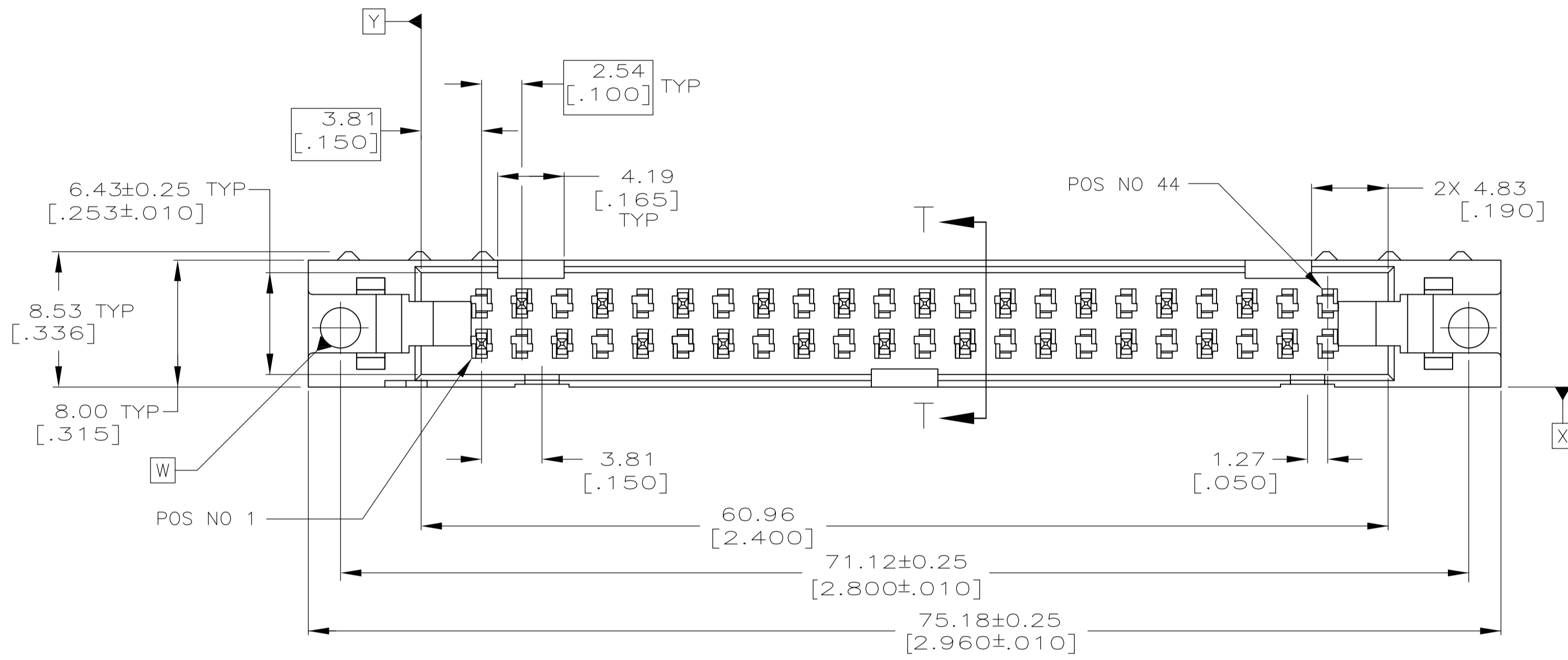


- 1 NO POST LOCATED IN POSITIONS 2, 3, 6, 7, 10, 11, 14, 15, 18, 19, 22, 23, 26, 27, 30, 31, 34, 35, 38, 39, 42, 43, AND 44.
- 2 HOUSING: GLASS FILLED NYLON OR POLYESTER, 94V-0 RATED, BLACK. POSTS: PHOSPHOR BRONZE.
- 3 POSTS: GOLD FLASH OVER PALLADIUM-NICKEL PLATE, 0.76µm[.000030] MIN TOTAL ON THE LOCALIZED PLATE AREA, 2.54µm[.000100] MIN TIN PLATE ON THE TAIL, 1.27µm[.000050] MIN NICKEL UNDERPLATE ON THE ENTIRE POST.
-OR-
0.76µm[.000030] MIN GOLD PLATE ON THE LOCALIZED PLATE AREA, 2.54µm[.000100] MIN TIN PLATE ON THE TAIL, 1.27µm[.000050] MIN NICKEL UNDERPLATE ON THE ENTIRE POST.
- 4 REFER TO APPLICATION SPECIFICATION 114-40020 FOR HOLE SIZE AND FINISH RECOMMENDATIONS.
- 5 DATUMS M & N TO BE ESTABLISHED BY CUSTOMER.



44	2169791-1
NO OF POS	PART NUMBER

THIS DRAWING IS A CONTROLLED DOCUMENT.		DIN C. VALENTINE 02MAR2011		STE TE Connectivity	
DIMENSIONS: mm [INCHES]		TOLERANCES UNLESS OTHERWISE SPECIFIED:		NAME: HEADER ASSEMBLY, UNIVERSAL, ACTION PIN, AMP-LATCH	
0 PLC ± -		1 PLC ± -		APVD S. BOLASH 02MAR2011	
2 PLC ± 0.13[.005]		3 PLC ± -		PRODUCT SPEC: 108-40019	
4 PLC ± -		ANGLES ± -		APPLICATION SPEC: 114-40020	
MATERIAL		FINISH		SIZE: A1	
2		3		CAGE CODE: 00779	
				DRAWING NO: 2169791	
				RESTRICTED TO: -	
				WEIGHT: -	
				CUSTOMER DRAWING	
				SCALE: 4:1	
				SHEET: 1 of 1	
				REV: A	