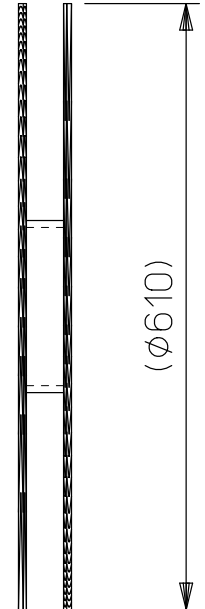
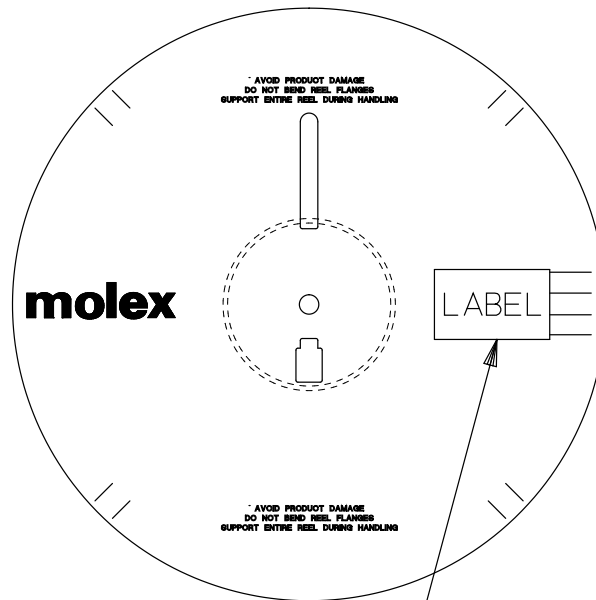


1. 製品名称／PRODUCT NAME : SPOT-ON 2.0 W/B SMT CRIMP TERMINAL
製品番号／PART NUMBER : 2 0 1 1 9 5 6 0 0 0

2. 標準梱包数／STANDARD PACKAGING QUANTITY.

1 リールの巻き数 QTY. PER REEL	カートン中のリール数 NUMBER OF REELS	1 カートンの製品数 QUANTITY IN ONE CARTON
12,000	4	48,000

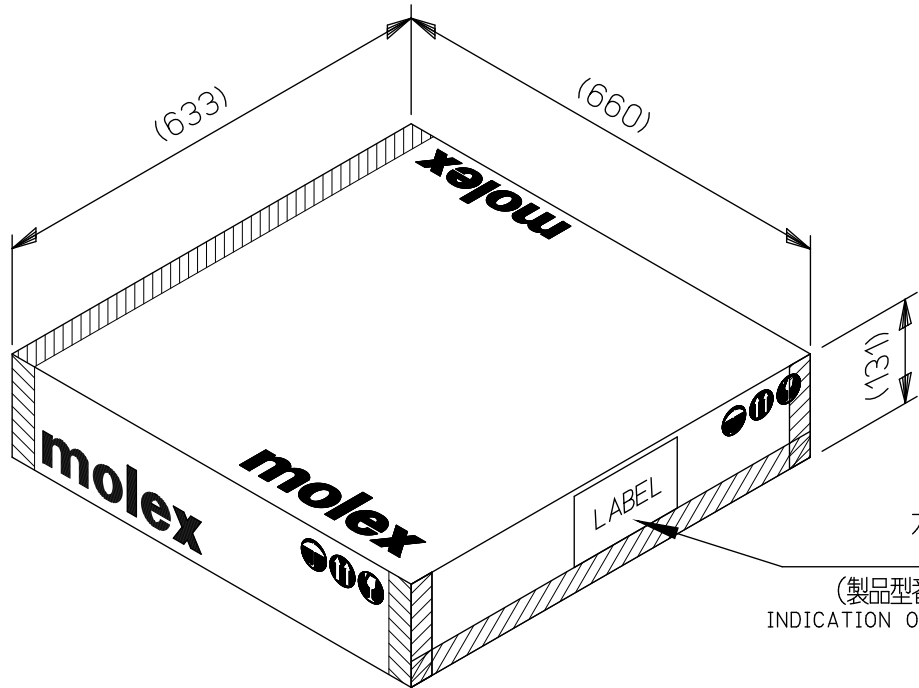
3. リール外形参考寸法／REEL OUTER DIMENSIONS (REFERENCE PURPOSE ONLY)



現品票
PART IDENTIFICATION LABEL
(製品型番, 数量, ロットNO. 表示)
INDICATION OF PART No., QUANTITY, LOT No.

REV.	A		
SHEET	1~2		
REVISE ON PC ONLY		TITLE:	
A	RELEASED 113749 2017/02/22 Y.TOKUIZONO	2 0 1 1 9 5 梱包仕様書 SALES PACKAGING SPEC. FOR 201195	
	THIS DOCUMENT CONTAINS INFORMATION THAT IS PROPRIETARY TO MOLEX ELECTRONIC TECHNOLOGIES, LLC AND SHOULD NOT BE USED WITHOUT WRITTEN PERMISSION		
REV.	DESCRIPTION		
DESIGN CONTROL J	STATUS	WRITTEN BY: YTOKUZONO	CHECKED BY: K.TAKAHASHI
		APPROVED BY: M.SASAO	DATE: 2017/02/22
DOCUMENT NUMBER 2011959200		DOC. TYPE PS	DOC. PART 200
		CUSTOMER GENERAL	SHEET 1 OF 2

4. カートン外形参考寸法 / CARTON OUTER DIMENSIONS (REFERENCE PURPOSE ONLY) 単位 / UNIT: mm



カートンラベル
CARTON LABEL

(製品型番, 数量, ロットNO. 表示)
INDICATION OF PART No., QUANTITY, LOT No.

REVISE ON PC ONLY		TITLE:			
A	SEE SHEET 1 OF 2	201195 梱包仕様書 SALES PACKAGING SPEC. FOR 201195			
	REV.	DESCRIPTION	<small>THIS DOCUMENT CONTAINS INFORMATION THAT IS PROPRIETARY TO MOLEX ELECTRONIC TECHNOLOGIES, LLC AND SHOULD NOT BE USED WITHOUT WRITTEN PERMISSION</small>		
DOCUMENT NUMBER 2011959200		DOC. TYPE PS	DOC. PART 200	CUSTOMER GENERAL	SHEET 2 OF 2
EN-127(2015-12)					