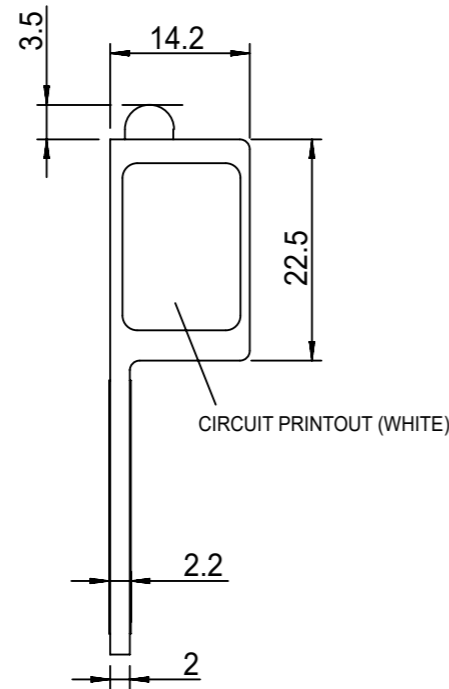
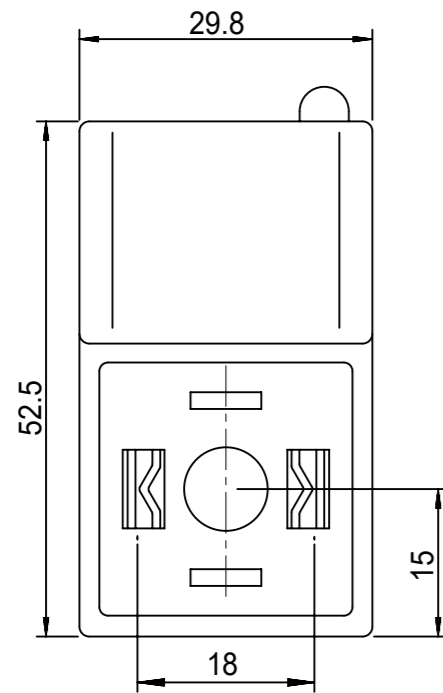
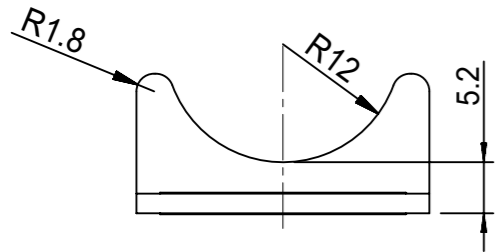


A 0 7 X X X

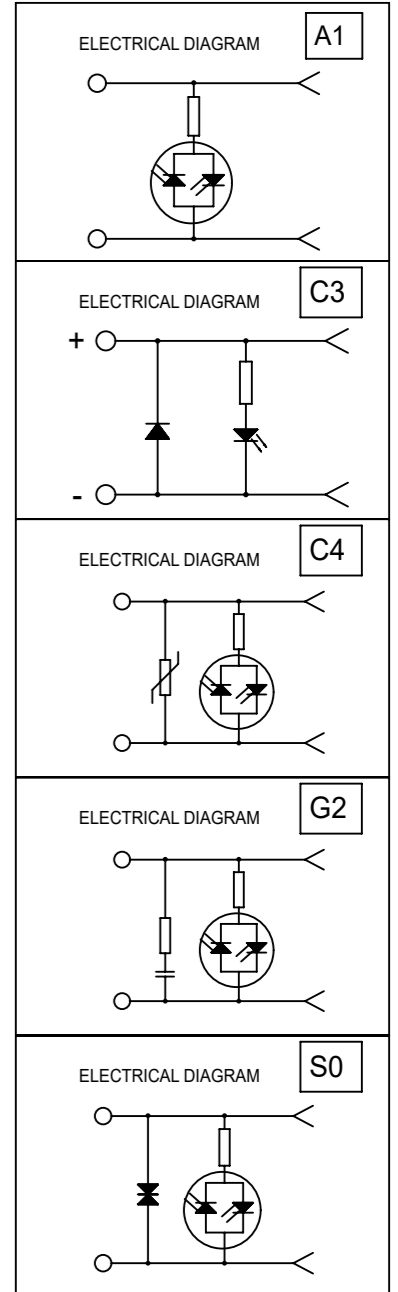
INTERNAL CIRCUIT
WIRING CONFIGURATION

VOLTAGE AND LED COLOUR:

1= 12V	} RED LED	A= 12V	} GREEN LED	G= 12V	} YELLOW LED
2= 24V		B= 24V		H= 24V	
3= 48V		C= 48V		K= 48V	
4= 115V		D= 115V		L= 115V	
5= 230V		E= 230V		M= 230V	



WIRING CONFIGURATION



MOLEX PN	MPM PN
1210010257	A07C42
1210010262	A07C4H

THIS DRAWING CONTAINS INFORMATION THAT IS PROPRIETARY TO MOLEX ELECTRONIC TECHNOLOGIES, LLC AND SHOULD NOT BE USED WITHOUT WRITTEN PERMISSION

DIMENSION UNITS	SCALE	CURRENT REV DESC: REMOVED OBSOLETE PART NUMBERS AS PER PCN#511691		molex	
MM	NTS				
GENERAL TOLERANCES (UNLESS SPECIFIED)				MPM A07 ADAPTORS	
	MM	INCH			PRODUCT CUSTOMER DRAWING
4 PLACES	±	±	EC NO: 737858		
3 PLACES	±	±	DRWN: SANTHN	2023/02/08	
2 PLACES	±	±	CHK'D: GGA	2023/02/24	
1 PLACE	±	±	APPR: GGA	2023/02/24	
0 PLACES	±	±	INITIAL REVISION:		DOCUMENT NUMBER
ANGULAR TOL	±	°	DRWN: MLEVYTSKYY	2009/05/05	A07XXX
			APPR: MWOLSZCZAK	2009/05/05	PSD 001 A1
DRAFT WHERE APPLICABLE MUST REMAIN WITHIN DIMENSIONS		THIRD ANGLE PROJECTION	DRAWING	SERIES	MATERIAL NUMBER
			A3-SIZE	121001	SEE TABLE
					CUSTOMER
					GENERAL MARKET
					SHEET NUMBER
					1 OF 1

A07 - ADAPTOR FOR DIN A

A 0 7 X X X

INTERNAL CIRCUIT

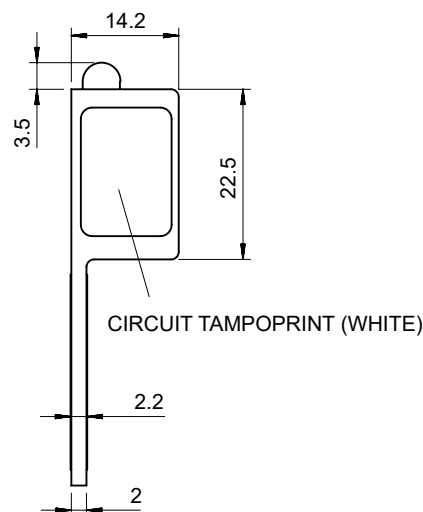
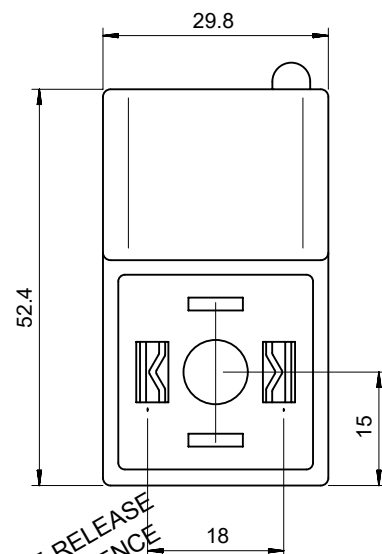
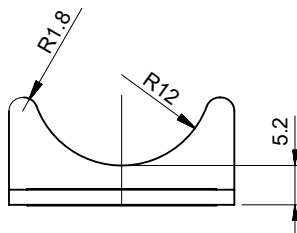
VOLTAGE AND LED COLOUR:

1= 12V	A= 12V	G= 12V
2= 24V	B= 24V	H= 24V
3= 48V	C= 48V	K= 48V
4= 115V	D= 115V	L= 115V
5= 230V	E= 230V	M= 230V

RED LED GREEN LED YELLOW LED

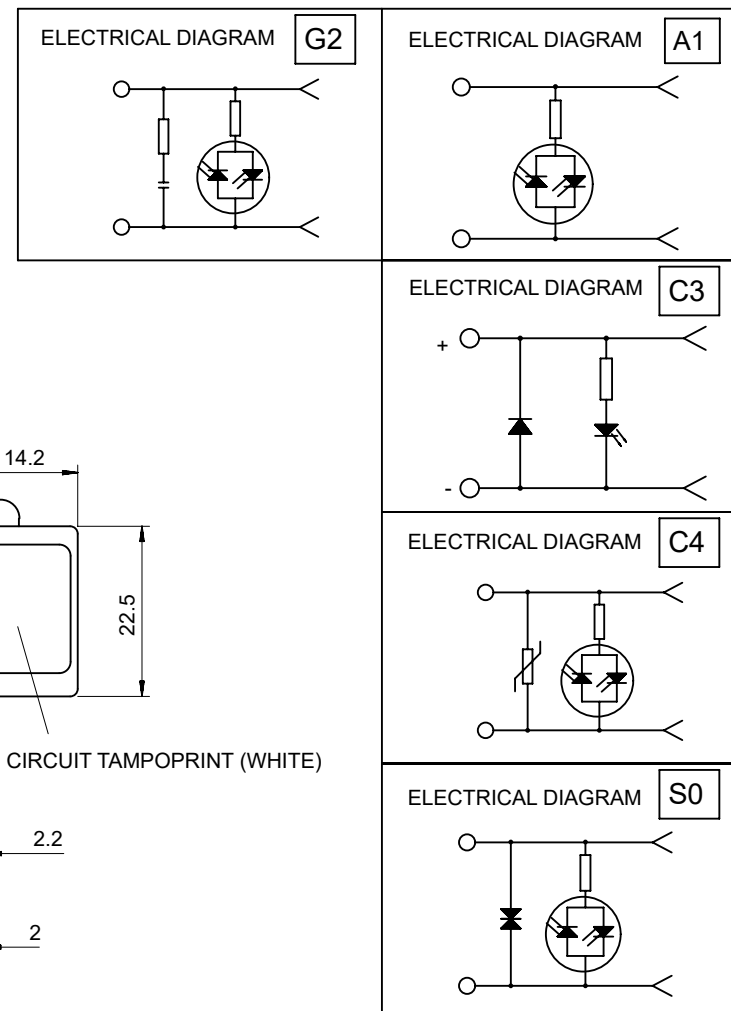
Chart 1

Engineering no.	SAP Part Number	Circuit type	LED Color
A07C42	1210010257	C4 24V	Red
A07C4H	1210010262	C4 24V	Yellow
A07C4L	1210010263	C4 115V	Yellow
A07C4M	1210010264	C4 230V	Yellow



PRE-RELEASE
REFERENCE
USE ONLY

Wiring configuration



THIS DRAWING CONTAINS INFORMATION THAT IS PROPRIETARY TO MOLEX ELECTRONIC TECHNOLOGIES, LLC AND SHOULD NOT BE USED WITHOUT WRITTEN PERMISSION

DIMENSION UNITS		SCALE		CURRENT REV DESC: REMOVED OBSOLETE PART NUMBER AS PER PCN#511691.			molex				
mm		NTS									
GENERAL TOLERANCES (UNLESS SPECIFIED)					EC NO: 737858 DRWN: SANTHN 2023/02/10 CHK'D: GGA 2023/02/24 APPR: GGA 2023/02/24 INITIAL REVISION: DRWN: JMARSZALEK 2013/02/11 APPR: MIWASIECZKO 2013/02/12			LIGHTS ADAPTORS SERIES A07XXX FOR DIN A			
	MM	INCH	PRODUCT CUSTOMER DRAWING								
4 PLACES	±	±	DOCUMENT NUMBER					DOC TYPE	DOC PART	REVISION	
3 PLACES	±	±	SD-121001-007					PSD	001	A1	
2 PLACES	±	±	MATERIAL NUMBER					CUSTOMER			
1 PLACE	±	±	SEE CHART 1					GENERAL MARKET			
0 PLACES	±	±	SHEET NUMBER			1 OF 1					
ANGULAR TOL		± °		THIRD ANGLE PROJECTION		DRAWING		SERIES			
DRAFT WHERE APPLICABLE MUST REMAIN WITHIN DIMENSIONS				A4-SIZE		121001					

DOCUMENT STATUS	P1	RELEASE DATE	2023/02/24	09:13:08
-----------------	----	--------------	------------	----------