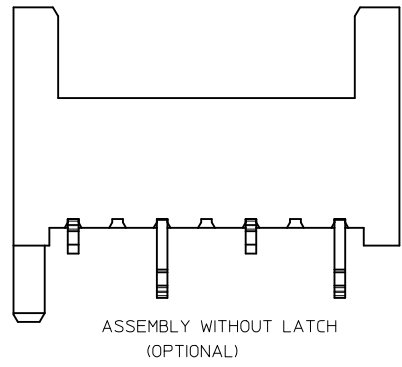
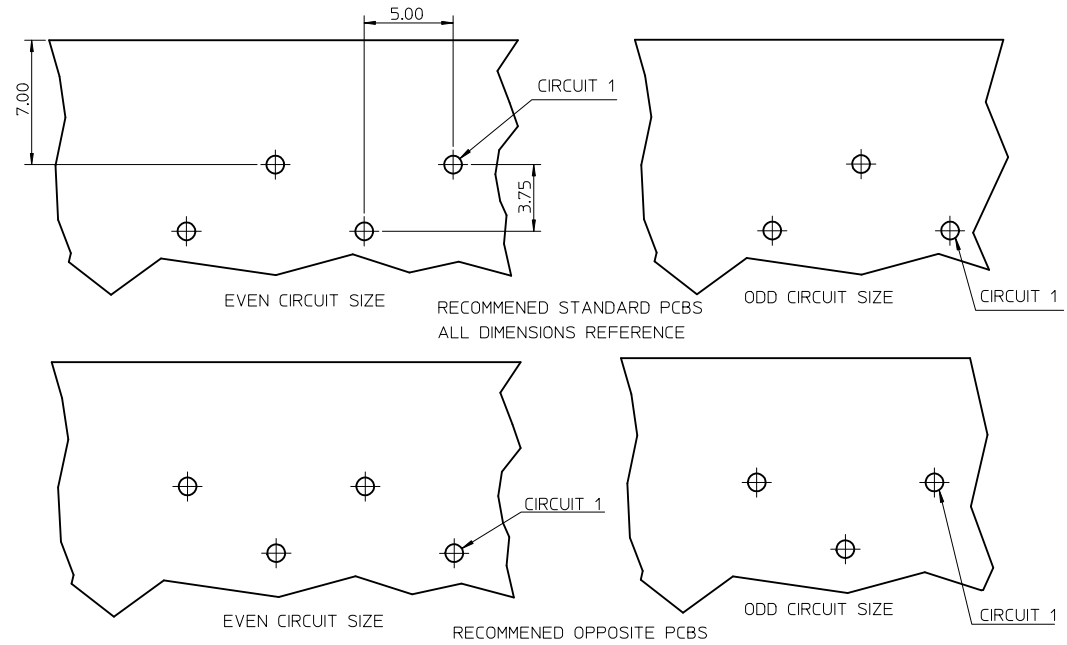
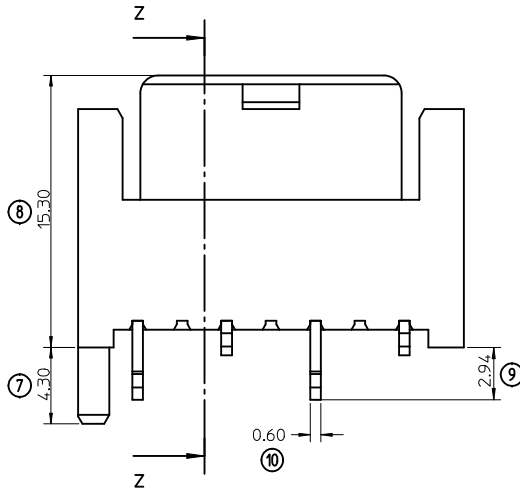
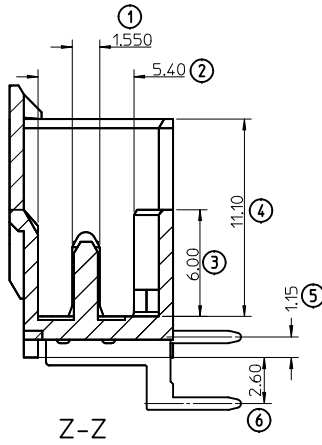
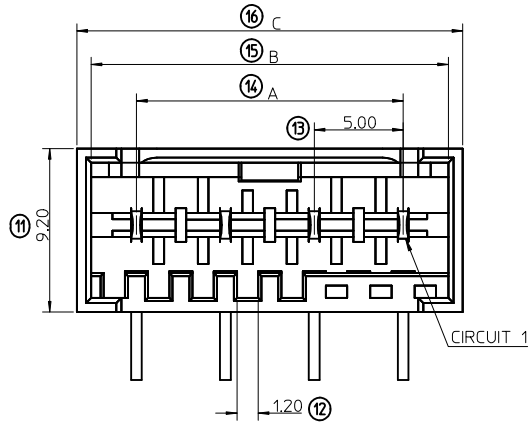


CCT	A	B	C
2	5.0	10.1	11.7
3	10.0	15.1	16.7
4	15.0	20.1	21.7
5	20.0	25.1	26.7
6	25.0	30.1	31.7
7	30.0	35.1	36.7
8	35.0	40.1	41.7



- NOTES:
1. MATERIAL: HOUSING - PA66 25% G/F, UL94 V-0
COLOUR: NATURAL
TERMINAL - BRASS
PLATING - 3-7um Sn over 1.27um Min Ni
 2. PARTS PACKED AS PER PK-93070-001
 3. PRODUCT SPECIFICATION: PS-99039-0040
 4. RECOMMENDED PCB THICKNESS: 1.5+/-0.14mm

LAST INSPECTION NUMBER: 16

ADDED HOUSING NO'S EC NO: IFC2012-0779 DRAWN: LICE 2012/04/25 CHKD: APPR: ELOLAN 2012/05/21	QUALITY SYMBOLS ▽=0 ▽=0	GENERAL TOLERANCES (UNLESS SPECIFIED) <table border="1"> <thead> <tr> <th></th> <th>mm</th> <th>INCH</th> </tr> </thead> <tbody> <tr> <td>4 PLACES</td> <td>± 0.10</td> <td>± 0.004</td> </tr> <tr> <td>3 PLACES</td> <td>± 0.05</td> <td>± 0.002</td> </tr> <tr> <td>2 PLACES</td> <td>± 0.10</td> <td>± 0.004</td> </tr> <tr> <td>1 PLACE</td> <td>± 0.20</td> <td>± 0.008</td> </tr> </tbody> </table> ANGULAR ± 2 °		mm	INCH	4 PLACES	± 0.10	± 0.004	3 PLACES	± 0.05	± 0.002	2 PLACES	± 0.10	± 0.004	1 PLACE	± 0.20	± 0.008	DIMENSION STYLE MM ONLY	SCALE 5:1	DESIGN UNITS METRIC	THIRD ANGLE PROJECTION
		mm	INCH																		
	4 PLACES	± 0.10	± 0.004																		
	3 PLACES	± 0.05	± 0.002																		
2 PLACES	± 0.10	± 0.004																			
1 PLACE	± 0.20	± 0.008																			
DRAWN BY TITOURISH 2008/03/18	DATE 2008/03/18	TITLE RAST 2.5 APPLI-MATE RIGHT ANGLE MALE HEADER 5MM PITCH																			
CHECKED BY BRUTTLE 2008/03/18	DATE 2008/03/18																				
APPROVED BY BMAGUIRE 2011/10/05	DATE 2011/10/05																				
DRAFT WHERE APPLICABLE MUST REMAIN WITHIN DIMENSIONS		MATERIAL NO. SEE SHEET 2	MOLEX INCORPORATED	DOCUMENT NO. SD-93073-001	SHEET NO. 1 OF 2																
THIS DRAWING CONTAINS INFORMATION THAT IS PROPRIETARY TO MOLEX INCORPORATED AND SHOULD NOT BE USED WITHOUT WRITTEN PERMISSION																					

2 CIRCUIT

MOLEX PART NO.	HOUSING PART NO.	BLOCKED POSITION KEYS	TERMINAL VOID POSITION	CONFIGURATION	LATCH	CIRCUIT 1 LOCATION
93073-0001	91698-0001	NONE	CCT 2		YES	STANDARD
93073-0002	91698-0006	d	CCT 2		YES	STANDARD
93073-0003	91698-0004	b	CCT 2		YES	STANDARD
93073-0004	91698-0007	b d	CCT 2		YES	STANDARD
93073-0005	91698-0008	a c	CCT 2		YES	STANDARD
93073-0006	91698-0002	a d	CCT 2		YES	STANDARD
93073-0007	91698-0003	a	CCT 2		YES	STANDARD
93073-0008	91698-0009	a b	CCT 2		YES	STANDARD
93073-0009	91698-0010	b c	CCT 2		YES	STANDARD
93073-0010	91698-0011	c d	CCT 2		YES	STANDARD
93073-0011	91698-0012	a b c	CCT 2		YES	STANDARD
93073-0012	91698-0016	a c d	CCT 2		YES	STANDARD
93073-0013	91698-0014	b c d	CCT 2		YES	STANDARD
93073-0014	91698-0015	ALL	CCT 2		YES	STANDARD
93073-0015	91698-0017	a	CCT 2		YES	STANDARD RED

3 CIRCUIT

MOLEX PART NO.	HOUSING PART NO.	BLOCKED POSITION KEYS	TERMINAL VOID POSITION	CONFIGURATION	LATCH	CIRCUIT 1 LOCATION
93073-1001	91698-1001	NONE	CCT 2, 4		YES	STANDARD
93073-1002	91698-1010	a c d e	CCT 2, 4		YES	STANDARD
93073-1003	91698-1011	b c d e	CCT 2, 4		YES	STANDARD
93073-1004	91698-1012	c	CCT 2, 4		YES	STANDARD
93073-1005	91698-1013	d e f	CCT 2, 4		YES	STANDARD

4 CIRCUIT

MOLEX PART NO.	HOUSING PART NO.	BLOCKED POSITION KEYS	TERMINAL VOID POSITION	CONFIGURATION	LATCH	CIRCUIT 1 LOCATION
93073-2001	91698-2001	NONE	CCT 2, 4, 6		YES	STANDARD
93073-2002	91698-2011	b c d e f h	CCT 2, 4, 6		YES	STANDARD
93073-2003	91698-2012	b c d e f g	CCT 2, 4, 6		YES	STANDARD
93073-2004	91698-2013	b c d f	CCT 2, 4, 6		YES	STANDARD

5 CIRCUIT

MOLEX PART NO.	HOUSING PART NO.	BLOCKED POSITION KEYS	TERMINAL VOID POSITION	CONFIGURATION	LATCH	CIRCUIT 1 LOCATION
93073-3001	91698-3001	NONE	CCT 2, 4, 6, 8		YES	STANDARD
93073-3002	91698-3005	b c d g h j	CCT 2, 4, 6, 8		YES	STANDARD

6 CIRCUIT

MOLEX PART NO.	HOUSING PART NO.	BLOCKED POSITION KEYS	TERMINAL VOID POSITION	CONFIGURATION	LATCH	CIRCUIT 1 LOCATION
93073-4001	91698-4001	NONE	CCT 2, 4, 6, 8, 10		YES	STANDARD

7 CIRCUIT

MOLEX PART NO.	HOUSING PART NO.	BLOCKED POSITION KEYS	TERMINAL VOID POSITION	CONFIGURATION	LATCH	CIRCUIT 1 LOCATION
93073-5001	91698-5001	NONE	CCT 2, 4, 6, 8, 10, 12		YES	STANDARD
93073-5002	91698-5003	c d e f g h i j k l m n	CCT 2, 4, 6, 8, 10, 12		YES	STANDARD

8 CIRCUIT

MOLEX PART NO.	HOUSING PART NO.	BLOCKED POSITION KEYS	TERMINAL VOID POSITION	CONFIGURATION	LATCH	CIRCUIT 1 LOCATION
93073-6001	91698-6001	NONE	CCT 2, 4, 6, 8, 10, 12, 14		YES	STANDARD

SEE SHEET 1 EC NO: IPG2012-0779 DRAWN BY: DRWNL/RICE CHKD: APPR/EFLAN 2012/05/21	QUALITY SYMBOLS ▽=0 ▽=0	GENERAL TOLERANCES (UNLESS SPECIFIED) mm INCH 4 PLACES ± --- ± --- 3 PLACES ± 0.05 ± --- 2 PLACES ± 0.10 ± --- 1 PLACE ± 0.20 ± --- ANGULAR ± 2°	DIMENSION STYLE MM ONLY DRAWN BY: TOURISH DATE: 2008/03/18 CHECKED BY: BRUTTLE DATE: 2008/03/18 APPROVED BY: BMAGUIRE DATE: 2011/10/05	SCALE: 5:1 DESIGN UNITS: METRIC THIRD ANGLE PROJECTION	TITLE: RAST 2.5 APPLI-MATE RIGHT ANGLE MALE HEADER 5MM PITCH	MOLEX INCORPORATED DOCUMENT NO. SD-93073-001 SHEET NO. 2 OF 2
	DRAFT WHERE APPLICABLE MUST REMAIN WITHIN DIMENSIONS		SEE CHARTS		THIS DRAWING CONTAINS INFORMATION THAT IS PROPRIETARY TO MOLEX INCORPORATED AND SHOULD NOT BE USED WITHOUT WRITTEN PERMISSION	