

6

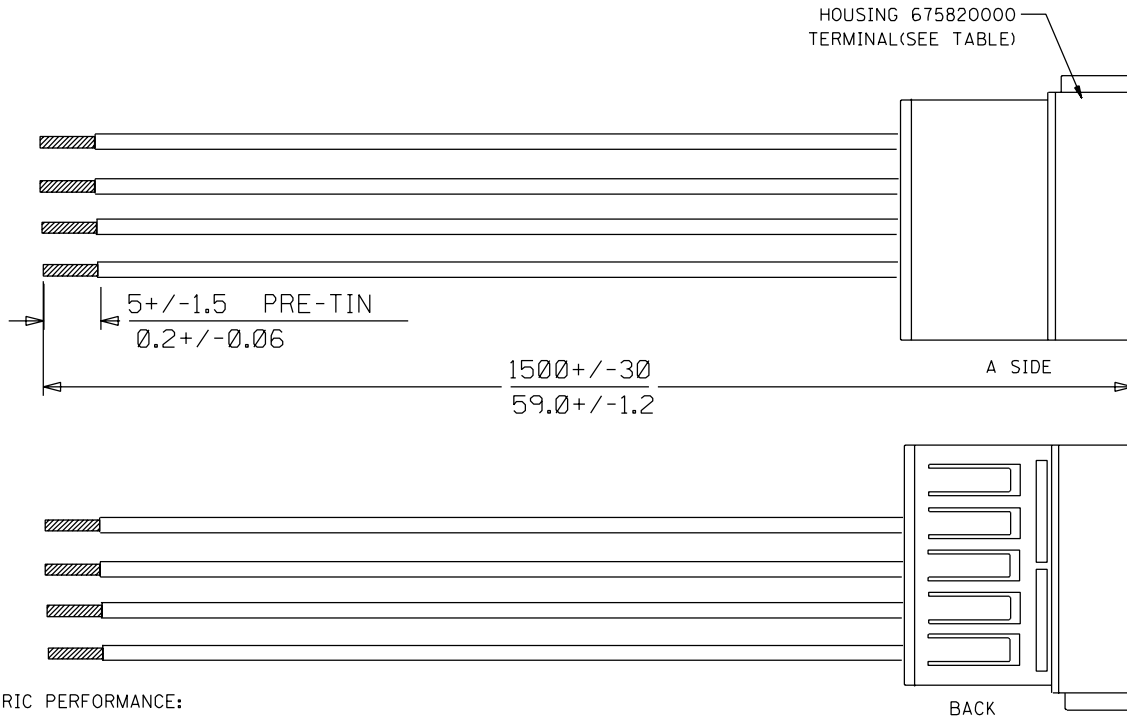
5

4

3

2

1



HOUSING 675820000
TERMINAL(SEE TABLE)

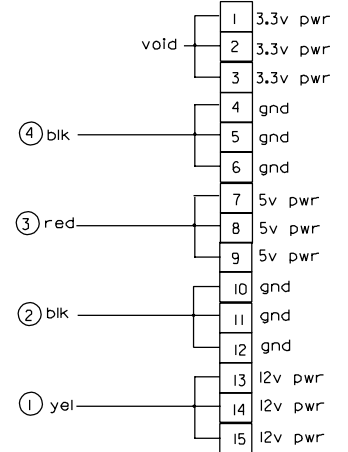
PIN15

PIN1

A SIDE

BACK

A SIDE



NOTE: 1. ELECTRIC PERFORMANCE:
 DIELECTRIC STRENGTH: 500 V DC/0.01Sec.
 INSULATION RESISTANCE: 100M OHMS Min.
 CONDUCTIVE RESISTANCE: 2 OHMS Max.
 2. HOUSING 675820000:
 POLYESTER(PBT), UL94V-0(BLACK)

887511411	675810001 30u" Gold-plated
887511410	675810000 GOLD FLASH
MATERIAL NO.	TERMINAL

TABLE

4	UL1007 #18 BLK 887711300
3	UL1007 #18 RED 887711301
2	UL1007 #18 BLK 887711300
1	UL1007 #18 YEL 887711303
Item	WIRE TYPE

CONNECTION DIAGRAM

EC NO. DRWN: Louis 04/03/23 CHK: APPR:	EC NO. DG2003-0009 DRWN: BENTZ 03/04/07 CHK: BENTZ 03/04/07 APPR: BOCHEN 03/04/07	EC NO. DG2003-0005 DRWN: BENTZ 02/08/08 CHK: BENTZ 02/08/08 APPR: TONY 02/08/08	DESCRIPTION REV	QUALITY SYMBOLS	GENERAL TOLERANCES: (UNLESS SPECIFIED)		SCALE	DESIGN UNITS	THIRD ANGLE PROJECTION	DIMENSIONS:		SHT	REV	
				MAJOR ▼ = 0 CRITICAL ▽ = 0	mm	INCH	mm	INCH		mm	INCH	mm	ONLY	REVISE ON CAD ONLY
C	B	A			4 PLACES ±0.	±.	DRAWN BY & DATE BENTZ 02/08/08	mm	TITLE: S-ATA POWER to PIGTAIL CABLE ASSEMBLY 1.5M (5V+12V)	MOLEX INCORPORATED				
					3 PLACES ±0.	±.	CHECKED BY & DATE Tony Wong 02/08/08	INCH		MATERIAL NO. SEE TABLE	DRAWING NO. SD-88755-002	SHEET NO. 1 OF 1		
					2 PLACES ±0.	±.	APPROVED BY & DATE Tony Wong 02/08/08	mm		THIS DRAWING CONTAINS INFORMATION THAT IS PROPRIETARY TO MOLEX INCORPORATED AND SHOULD NOT BE USED WITHOUT WRITTEN PERMISSION.		SIZE A4		
					1 PLACE ±0.	±.	CAD FILENAME S88755AB.S01	ONLY						