

MATERIALS AND FINISHES

BODY ZINC ALLOY
 PLATED BRIGHT TIN 100 MICROINCHES MIN.

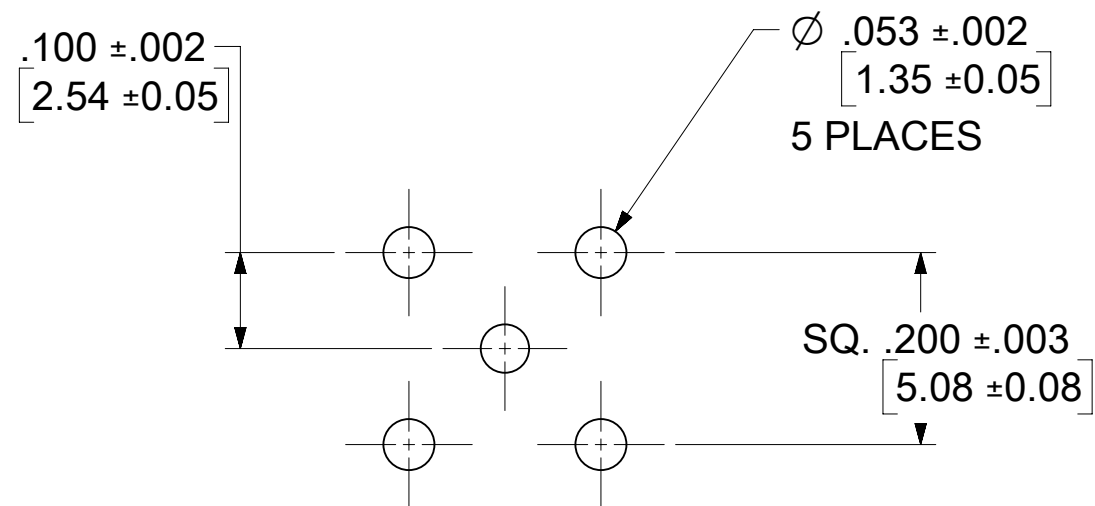
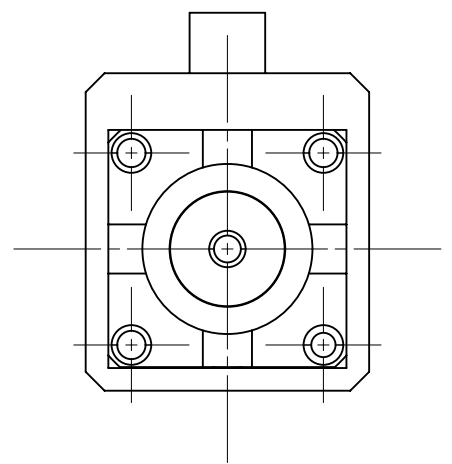
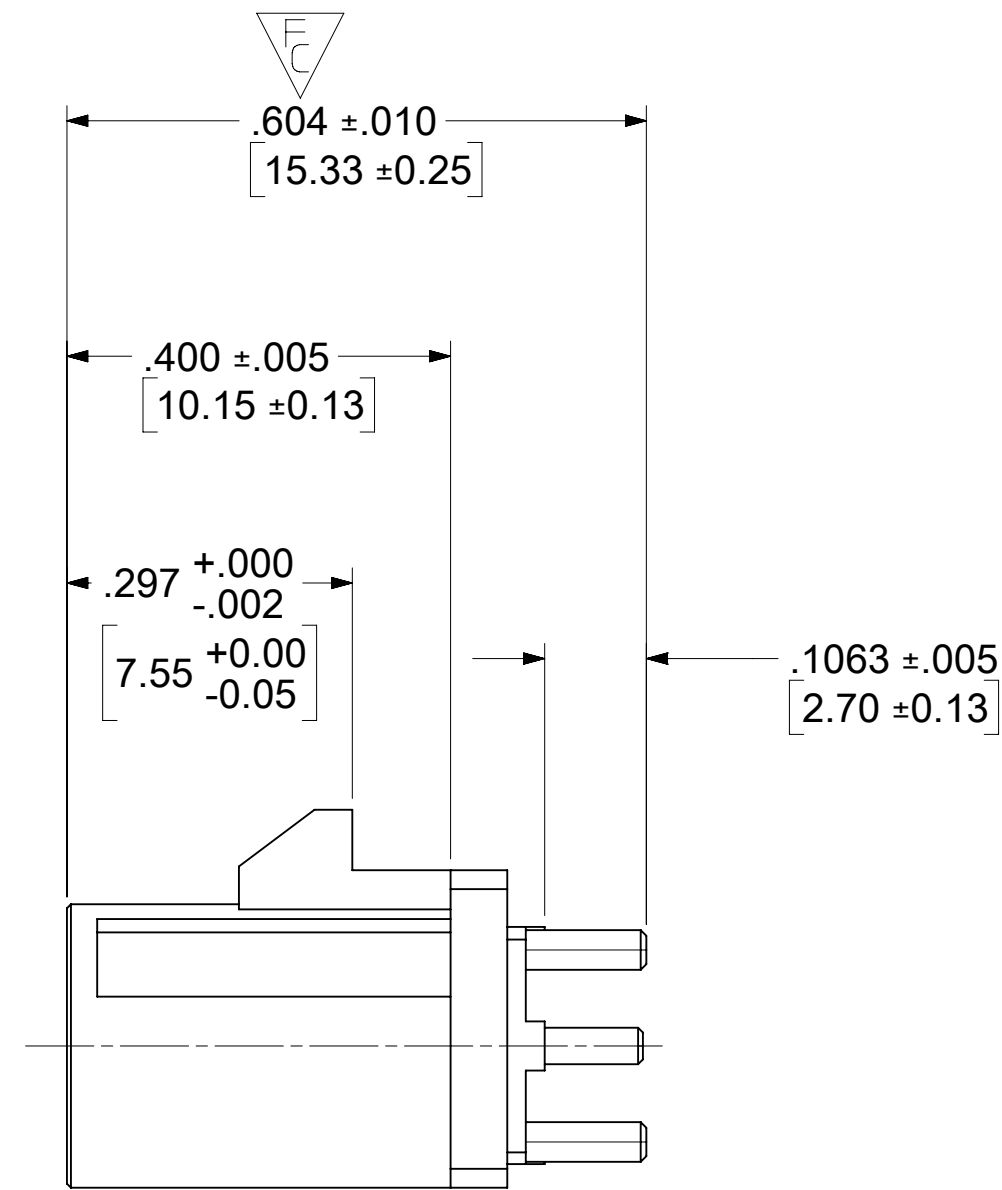
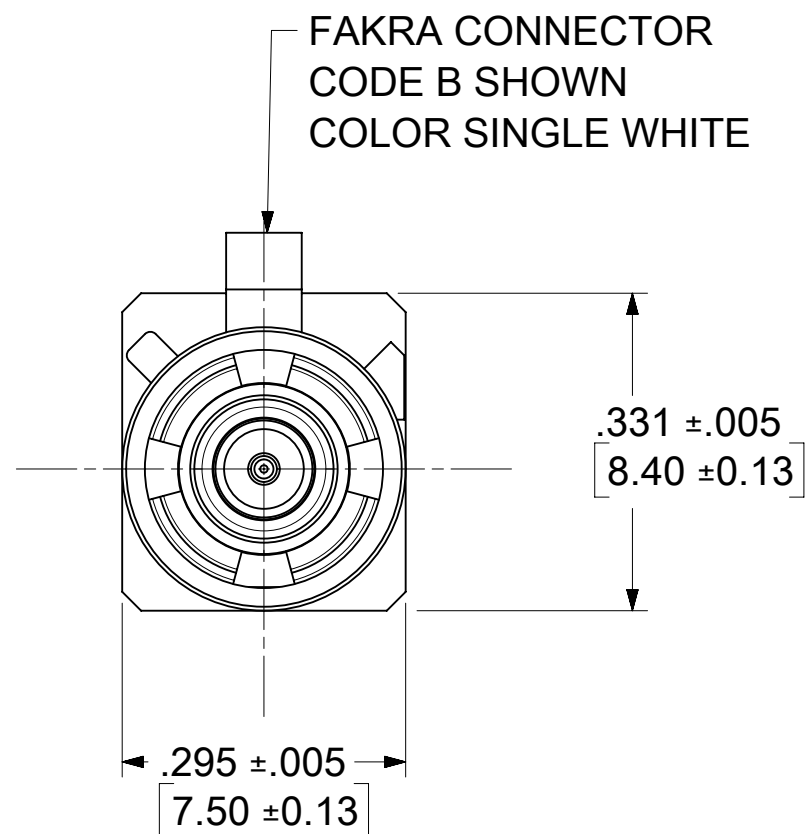
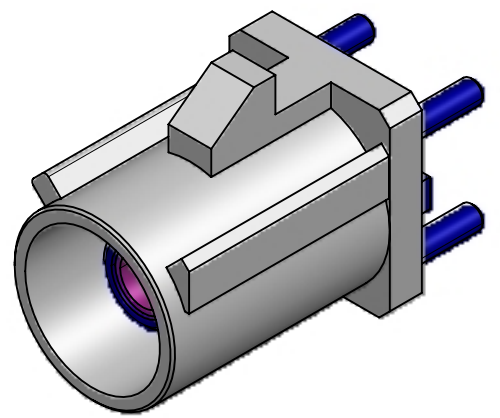
CENTER CONTACT BRASS
 PLATED GOLD 5 MICROINCHES MIN. OVER
 NICKEL 50 MICROINCHES MIN.

OUTER CASING NYLON46 30GF (STANYL TS200F6)
 KEYING CODE B
 COLOR SINGLE WHITE

INSULATOR TEFLON

RETENTION SPECIFICATION:

THE FAKRA CONNECTOR SHROUD WILL WITHSTAND
 A LONGITUDINAL FORCE OF 110 N (24.75 LBS)



RECOMMENDED PCB LAYOUT

PART # 73403-5561

PS-89675-3310	PRODUCT SPECIFICATION
MIL-STD-348A, FIG. 311.1	INTERFACE SPECIFICATION
SPECIFICATION	DESCRIPTION

FUNCTIONAL SYMBOLS $\frac{F}{A} = 0$ $\frac{E}{C} = 0$ $\frac{E}{P} = 0$	THIS DRAWING CONTAINS INFORMATION THAT IS PROPRIETARY TO MOLEX ELECTRONIC TECHNOLOGIES, LLC AND SHOULD NOT BE USED WITHOUT WRITTEN PERMISSION	SCALE		CURRENT REV DESC:							
	DIMENSION UNITS	INCH/MM	SCALE	NTS							
	DIVISIONAL SYMBOLS	GENERAL TOLERANCES (UNLESS SPECIFIED)	ANGULAR TOL ± 2.0°		EC NO: 719496		DOCUMENT NUMBER		DOC TYPE	DOC PART	REVISION
	4 PLACES ±				DRWN: ELIN 2022/08/17		SD-73403-556		PSD	001	A4
3 PLACES ±				CHK'D: YCHENG 2022/08/30		PRODUCT CUSTOMER DRAWING					
2 PLACES ±				APPR: YCHENG 2022/08/30		INITIAL REVISION:					
1 PLACE ±				DRWN: ELIN 2010/01/20		MATERIAL NUMBER		CUSTOMER		SHEET NUMBER	
0 PLACES ±				APPR: MHUANG 2010/01/27		SEE TABLE		GENERAL MARKET		1 OF 8	
DRAFT WHERE APPLICABLE MUST REMAIN WITHIN DIMENSIONS		THIRD ANGLE PROJECTION		DRAWING		SERIES					
				C-SIZE		73403					

DOCUMENT STATUS	P1	RELEASE DATE	2022/08/30	08:30:37
-----------------	----	--------------	------------	----------

MATERIALS AND FINISHES

BODY ZINC ALLOY
 PLATED BRIGHT TIN 100 MICROINCHES MIN.

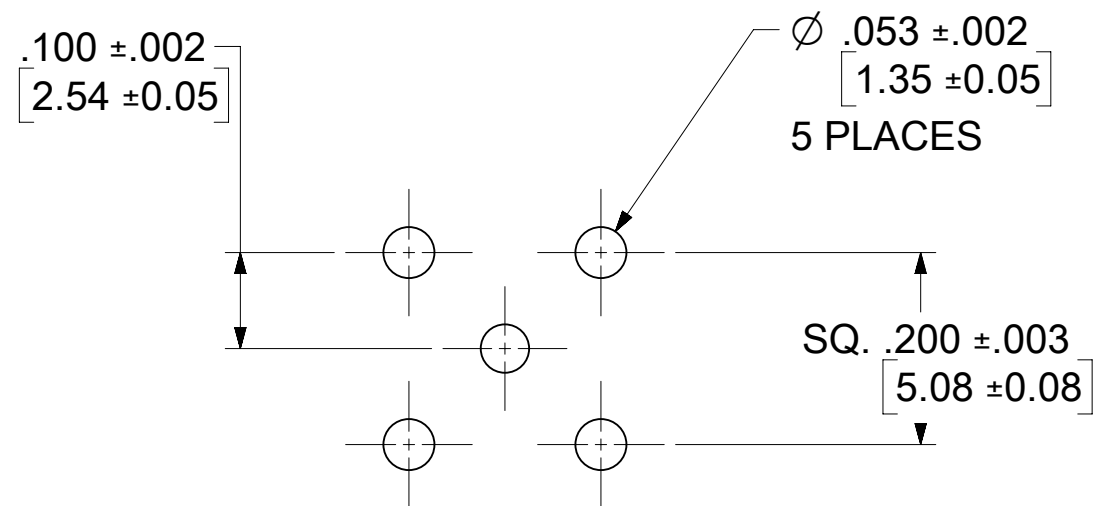
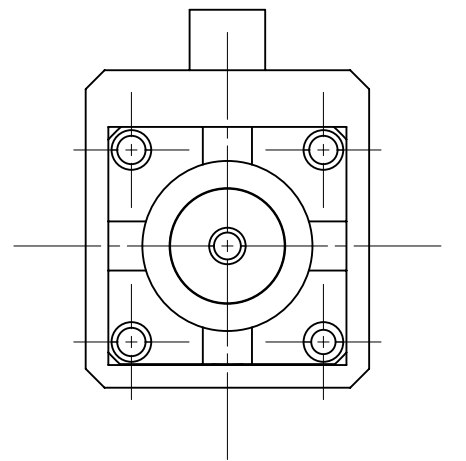
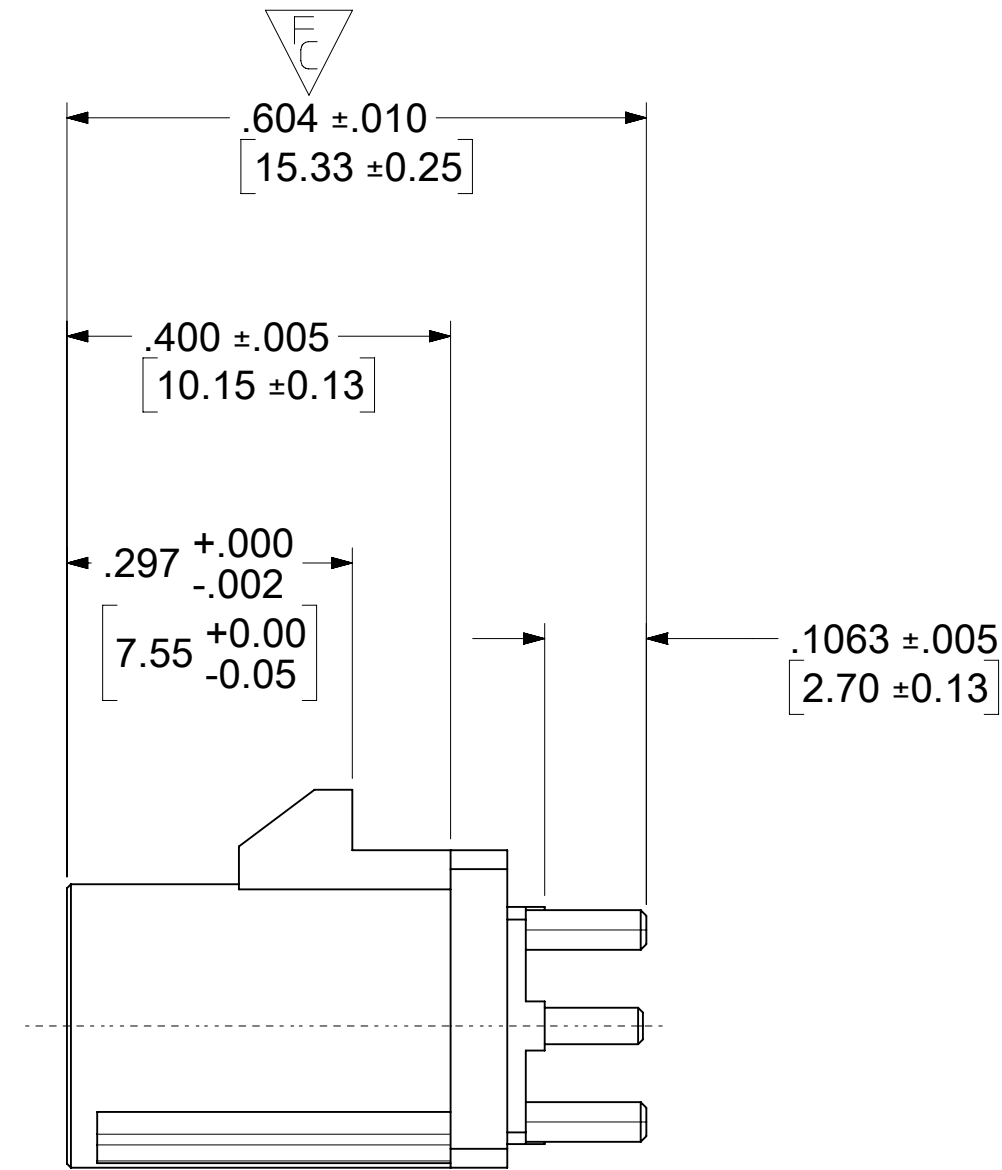
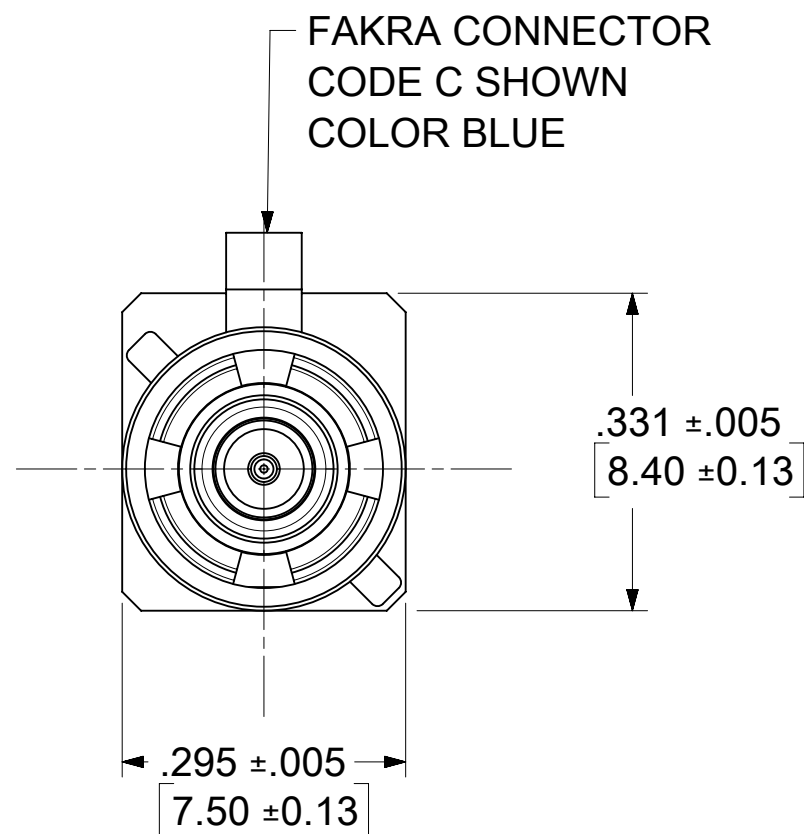
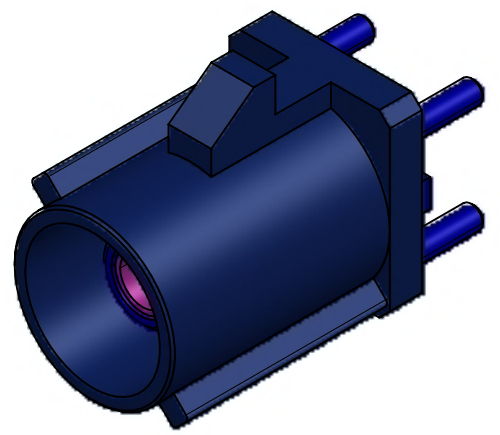
CENTER CONTACT BRASS
 PLATED GOLD 5 MICROINCHES MIN. OVER
 NICKEL 50 MICROINCHES MIN.

OUTER CASING NYLON46 30GF (STANYL TS200F6)
 KEYING CODE C
 COLOR BLUE

INSULATOR TEFLON

RETENTION SPECIFICATION:

THE FAKRA CONNECTOR SHROUD WILL WITHSTAND
 A LONGITUDINAL FORCE OF 110 N (24.75 LBS)



RECOMMENDED PCB LAYOUT

PART # 73403-5562

PS-89675-3310	PRODUCT SPECIFICATION
MIL-STD-348A, FIG. 311.1	INTERFACE SPECIFICATION
SPECIFICATION	DESCRIPTION

FUNCTIONAL SYMBOLS $\frac{F}{A} = 0$ $\frac{F}{C} = 0$ $\frac{F}{P} = 0$	THIS DRAWING CONTAINS INFORMATION THAT IS PROPRIETARY TO MOLEX ELECTRONIC TECHNOLOGIES, LLC AND SHOULD NOT BE USED WITHOUT WRITTEN PERMISSION	CURRENT REV DESC:					
	DIMENSION UNITS	SCALE	EC NO: 719496 DRWN: ELIN 2022/08/17 CHK'D: YCHENG 2022/08/30 APPR: YCHENG 2022/08/30		SMB JACK, FAKRA, VERTICAL PCB, 50 OHM SMB-J/PCB, EWR # 14535		
	INCH/MM	NTS					
	GENERAL TOLERANCES (UNLESS SPECIFIED)						
DIVISIONAL SYMBOLS	ANGULAR TOL ± 2.0°	4 PLACES ±	INITIAL REVISION:	DOCUMENT NUMBER	DOC TYPE	DOC PART	REVISION
3 PLACES ±	DRWN: ELIN 2010/01/20	3 PLACES ±	DRWN: ELIN 2010/01/27	SD-73403-556	PSD	001	A4
2 PLACES ±	APPR: MHUANG	2 PLACES ±	APPR: MHUANG	SEE TABLE	GENERAL MARKET		
1 PLACE ±	THIRD ANGLE PROJECTION	1 PLACE ±	DRAWING	MATERIAL NUMBER	CUSTOMER	SHEET NUMBER	
0 PLACES ±	DRAFT WHERE APPLICABLE MUST REMAIN WITHIN DIMENSIONS	0 PLACES ±	C-SIZE	73403	GENERAL MARKET	2 OF 8	

DOCUMENT STATUS	P1	RELEASE DATE	2022/08/30	08:30:37
-----------------	----	--------------	------------	----------

MATERIALS AND FINISHES

BODY ZINC ALLOY
 PLATED BRIGHT TIN 100 MICROINCHES MIN.

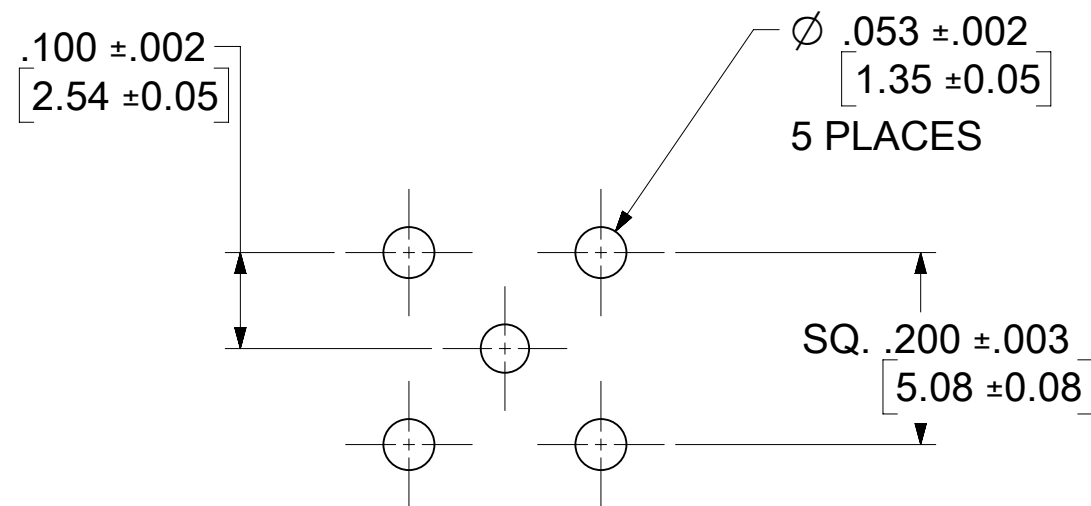
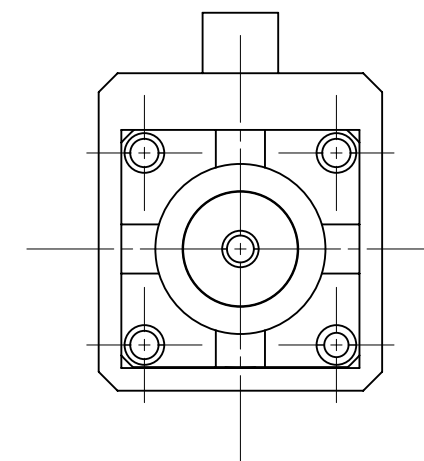
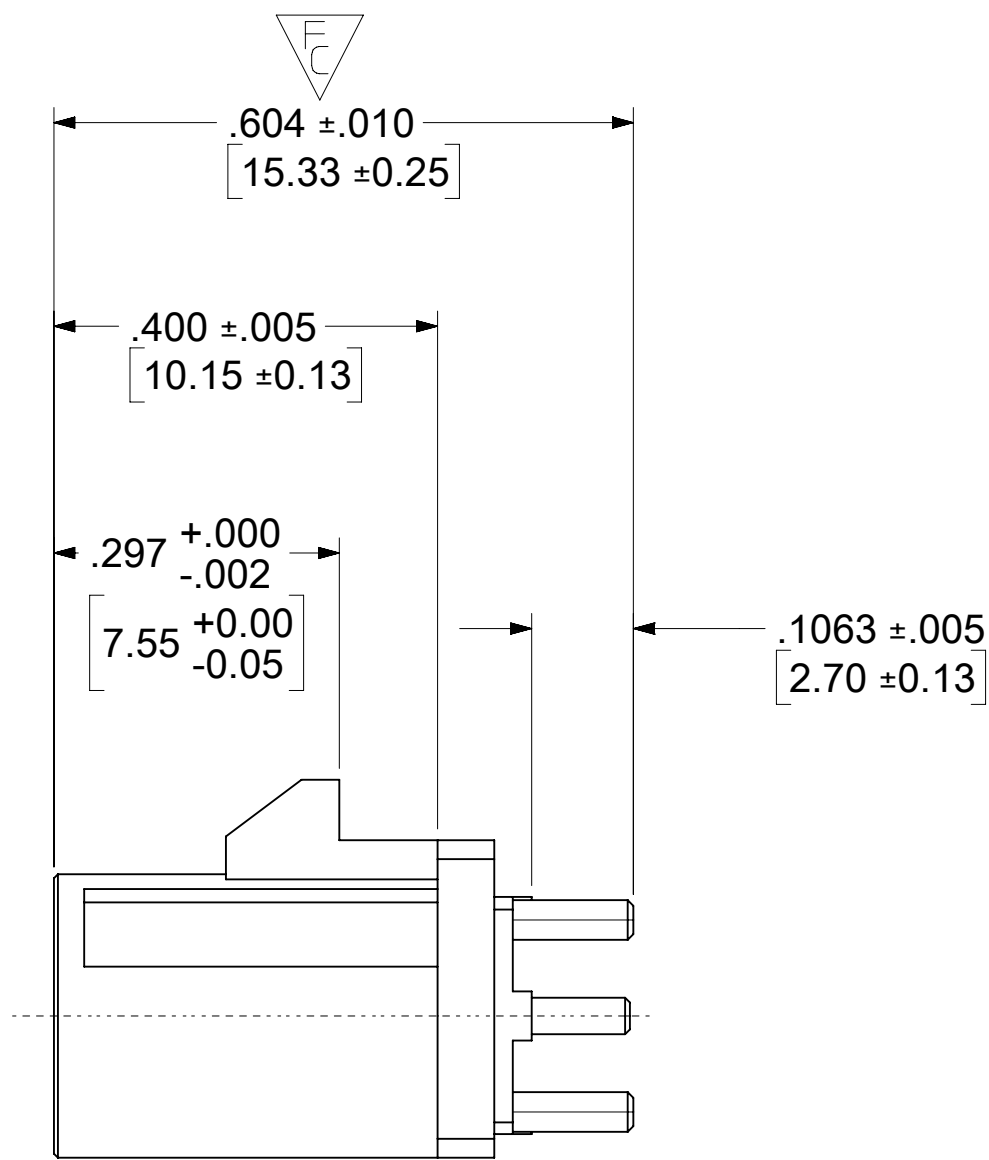
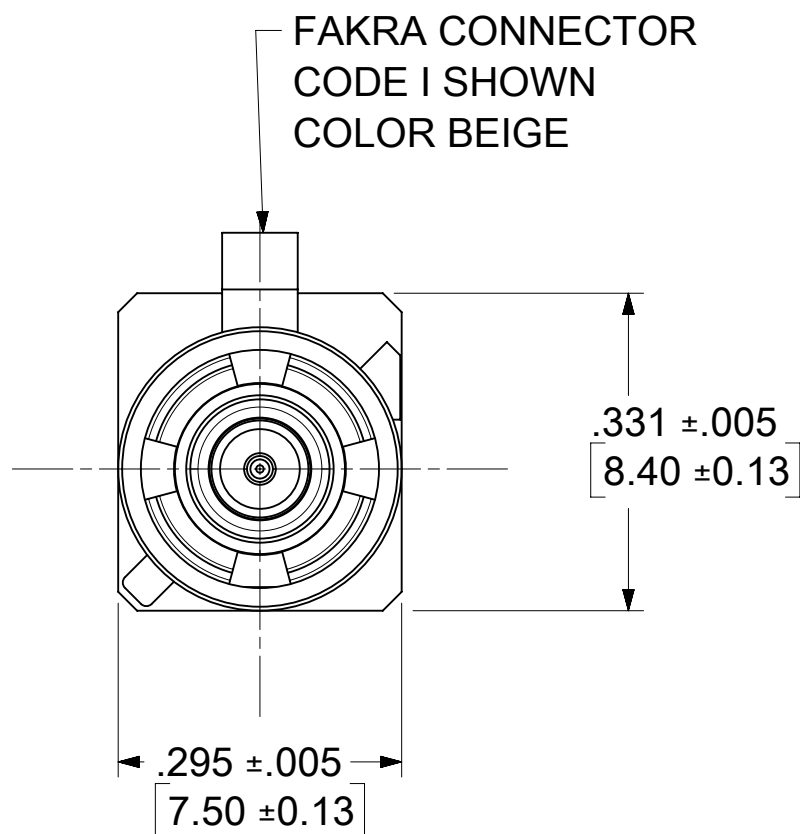
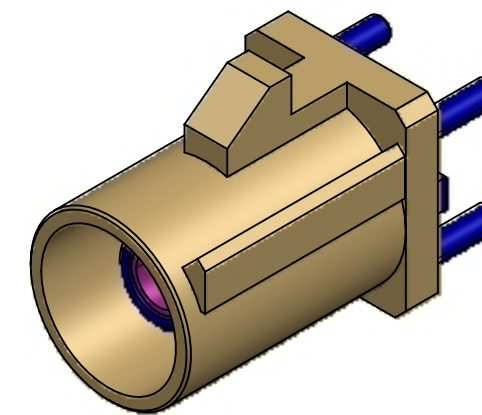
CENTER CONTACT BRASS
 PLATED GOLD 5 MICROINCHES MIN. OVER
 NICKEL 50 MICROINCHES MIN.

OUTER CASING NYLON46 30GF (STANYL TS200F6)
 KEYING CODE I
 COLOR BEIGE

INSULATOR TEFLON

RETENTION SPECIFICATION:

THE FAKRA CONNECTOR SHROUD WILL WITHSTAND
 A LONGITUDINAL FORCE OF 110 N (24.75 LBS)



RECOMMENDED PCB LAYOUT

PART # 73403-5568

PS-89675-3310	PRODUCT SPECIFICATION
MIL-STD-348A, FIG. 311.1	INTERFACE SPECIFICATION
SPECIFICATION	DESCRIPTION

FUNCTIONAL SYMBOLS $\frac{F}{A} = 0$ $\frac{F}{C} = 0$ $\frac{F}{P} = 0$	THIS DRAWING CONTAINS INFORMATION THAT IS PROPRIETARY TO MOLEX ELECTRONIC TECHNOLOGIES, LLC AND SHOULD NOT BE USED WITHOUT WRITTEN PERMISSION	SCALE		CURRENT REV DESC:									
	DIMENSION UNITS	INCH/MM	SCALE	NTS	GENERAL TOLERANCES (UNLESS SPECIFIED)								
	DIVISIONAL SYMBOLS	4 PLACES	±	ANGULAR TOL	± 2.0°	EC NO: 719496	DRWN: ELIN	2022/08/17	SMB JACK, FAKRA, VERTICAL PCB, 50 OHM				
	3 PLACES	±	2 PLACES	±	1 PLACE	±	0 PLACES	±	DRWN: ELIN	2022/08/30	APP: YCHENG	2022/08/30	PRODUCT CUSTOMER DRAWING
DRAFT WHERE APPLICABLE MUST REMAIN WITHIN DIMENSIONS		THIRD ANGLE PROJECTION		DRAWING		SERIES		MATERIAL NUMBER		CUSTOMER		SHEET NUMBER	
				C-SIZE		73403		SEE TABLE		GENERAL MARKET		3 OF 8	
								SD-73403-556		PSD 001		A4	

DOCUMENT STATUS	P1	RELEASE DATE	2022/08/30	08:30:37
-----------------	----	--------------	------------	----------

MATERIALS AND FINISHES

BODY ZINC ALLOY
 PLATED BRIGHT TIN 100 MICROINCHES MIN.

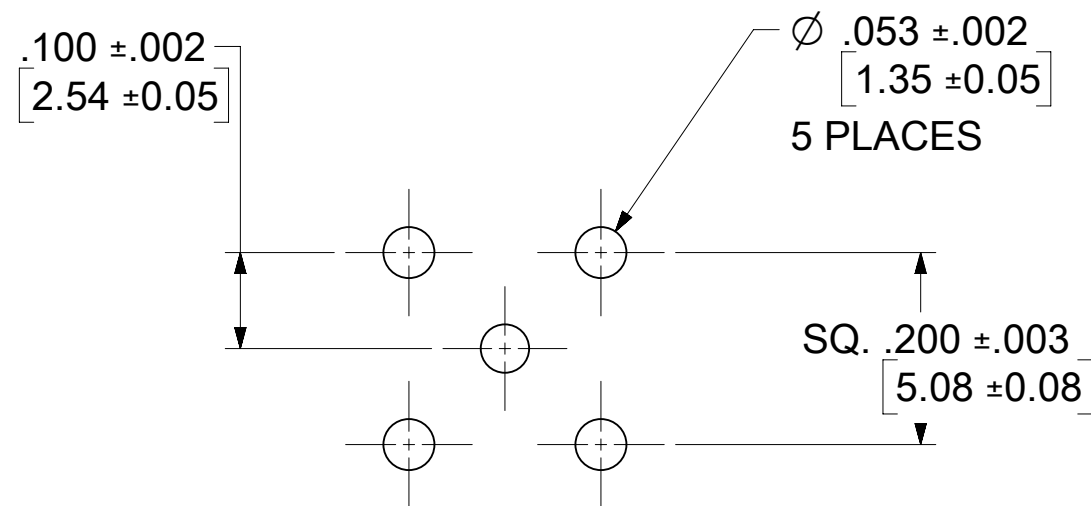
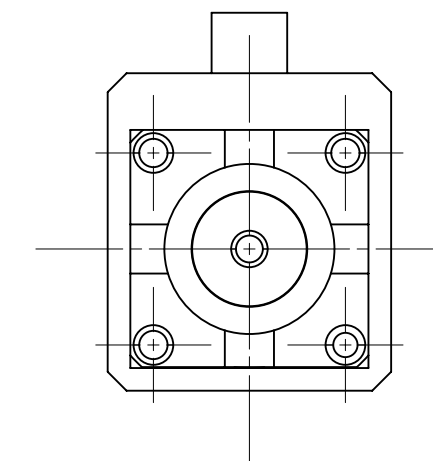
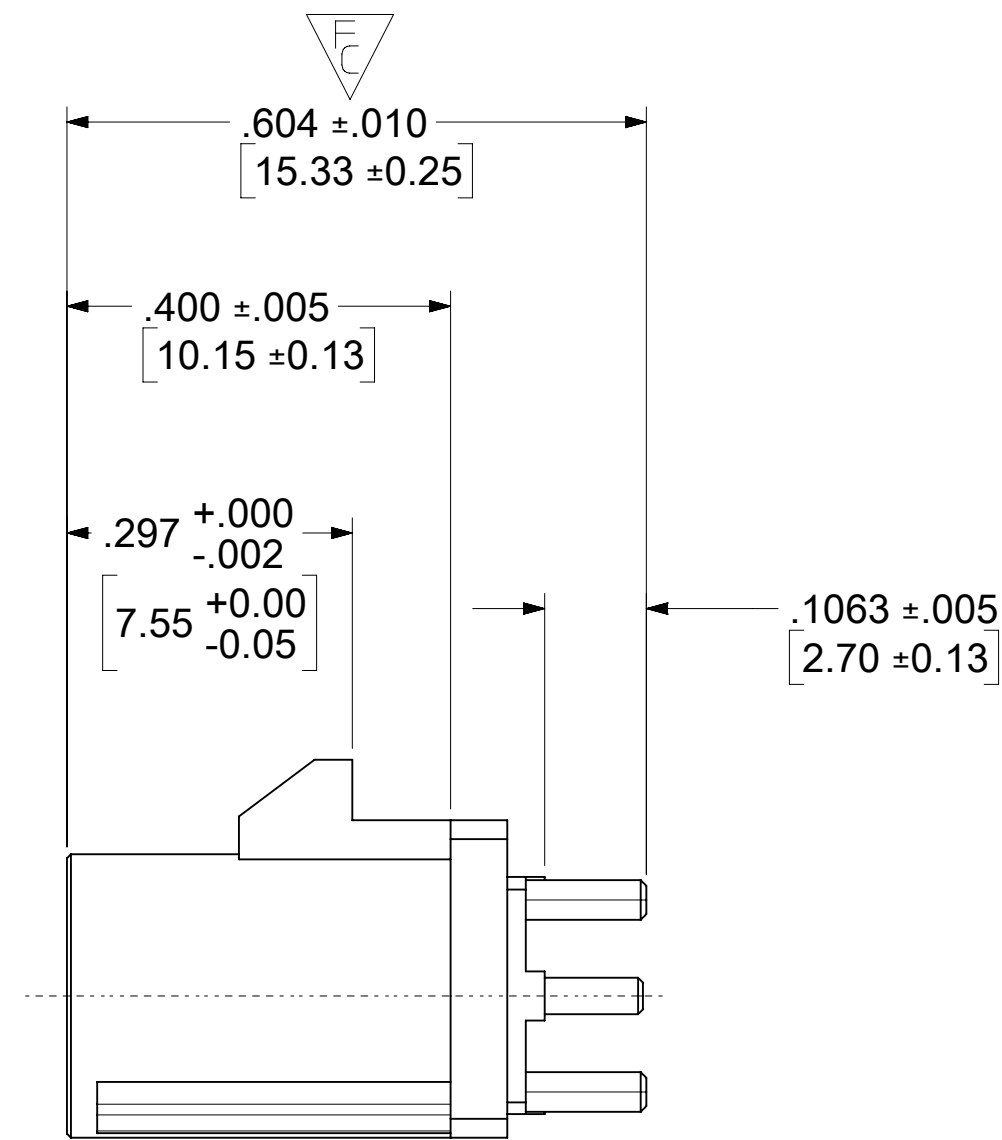
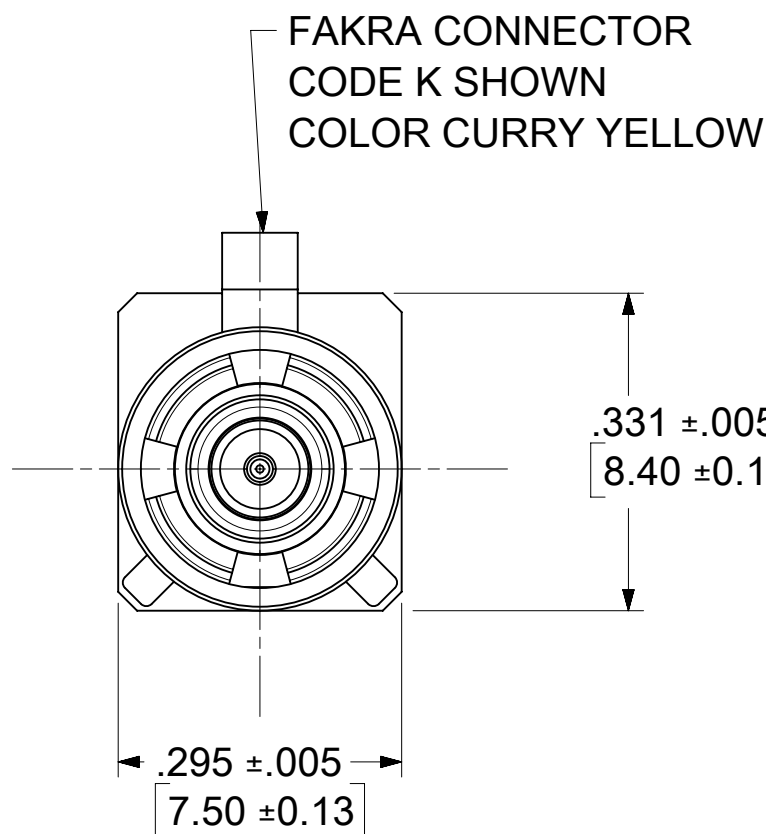
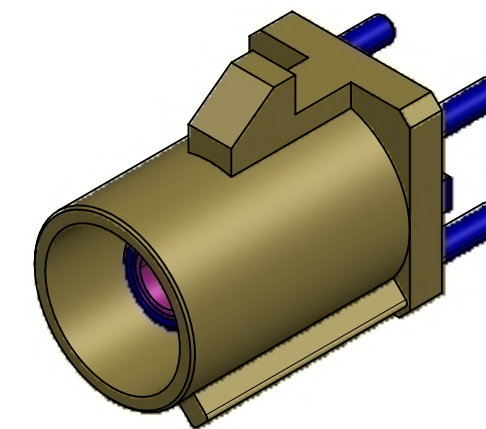
CENTER CONTACT BRASS
 PLATED GOLD 5 MICROINCHES MIN. OVER
 NICKEL 50 MICROINCHES MIN.

OUTER CASING NYLON46 30GF (STANYL TS200F6)
 KEYING CODE K
 COLOR CURRY YELLOW

INSULATOR TEFLON

RETENTION SPECIFICATION:

THE FAKRA CONNECTOR SHROUD WILL WITHSTAND
 A LONGITUDINAL FORCE OF 110 N (24.75 LBS)



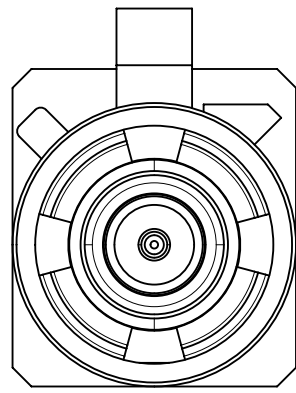
RECOMMENDED PCB LAYOUT

PART # 73403-5569

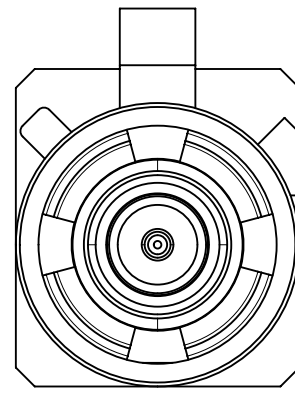
PS-89675-3310	PRODUCT SPECIFICATION
MIL-STD-348A, FIG. 311.1	INTERFACE SPECIFICATION
SPECIFICATION	DESCRIPTION

FUNCTIONAL SYMBOLS FA = 0 FC = 0 FP = 0	THIS DRAWING CONTAINS INFORMATION THAT IS PROPRIETARY TO MOLEX ELECTRONIC TECHNOLOGIES, LLC AND SHOULD NOT BE USED WITHOUT WRITTEN PERMISSION		CURRENT REV DESC:		molex		
	DIMENSION UNITS	SCALE	EC NO: 719496				
	INCH/MM	NTS	DRWN: ELIN 2022/08/17				
	GENERAL TOLERANCES (UNLESS SPECIFIED)		CHK'D: YCHENG 2022/08/30				
DIVISIONAL SYMBOLS	ANGULAR TOL ± 2.0°		APPR: YCHENG 2022/08/30		PRODUCT CUSTOMER DRAWING		
	4 PLACES ±	INITIAL REVISION:		DOCUMENT NUMBER	DOC TYPE	DOC PART	REVISION
	3 PLACES ±	DRWN: ELIN 2010/01/20		SD-73403-556	PSD	001	A4
	2 PLACES ±	APPR: MHUANG 2010/01/27		MATERIAL NUMBER	CUSTOMER		SHEET NUMBER
1 PLACE ±	DRAFT WHERE APPLICABLE MUST REMAIN WITHIN DIMENSIONS		THIRD ANGLE PROJECTION	DRAWING	SERIES	SEE TABLE GENERAL MARKET 4 OF 8	
0 PLACES ±	C-SIZE		73403				

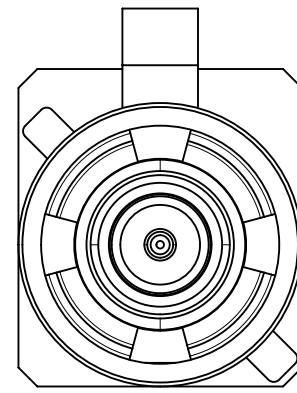
DOCUMENT STATUS	P1	RELEASE DATE	2022/08/30	08:30:37
-----------------	----	--------------	------------	----------



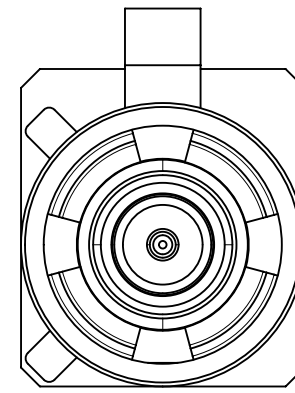
CODE A



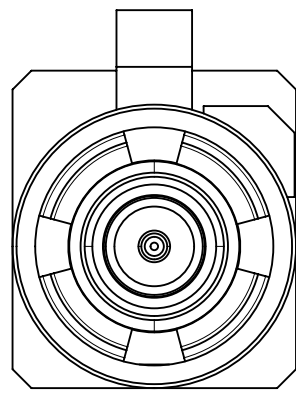
CODE B



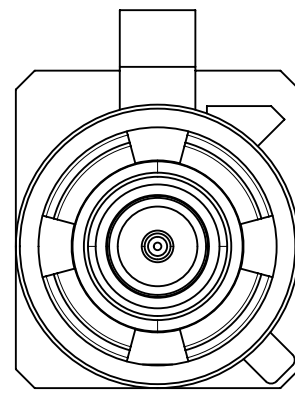
CODE C



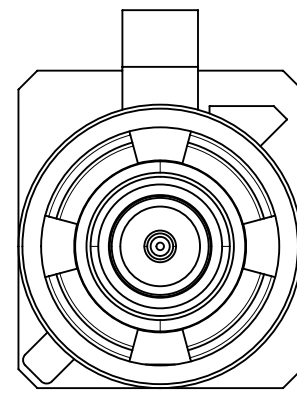
CODE D



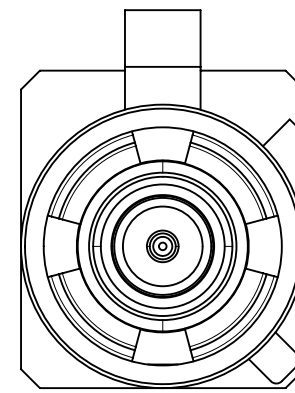
CODE E



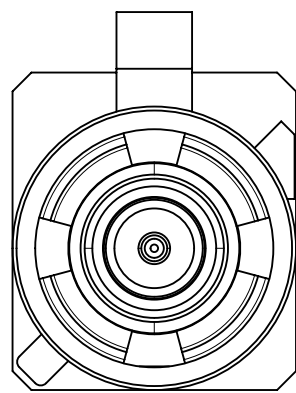
CODE F



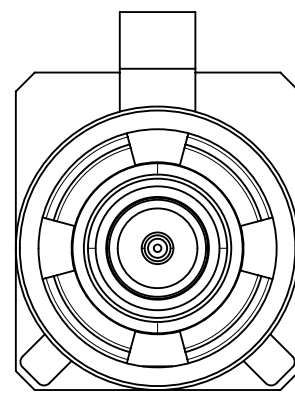
CODE G



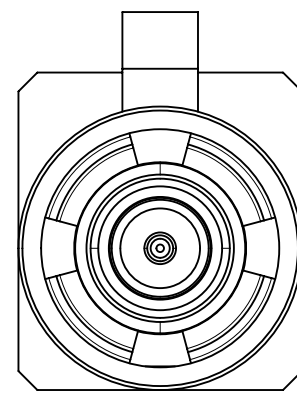
CODE H



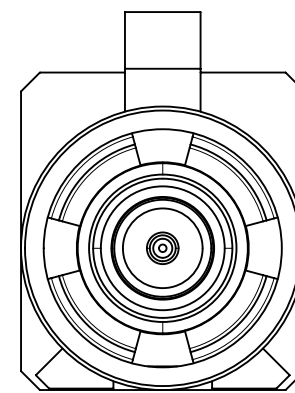
CODE I



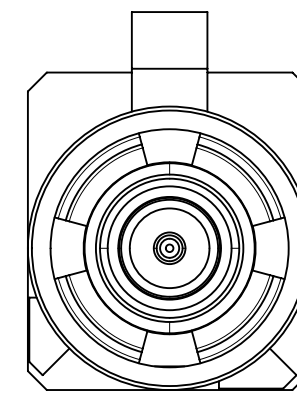
CODE K



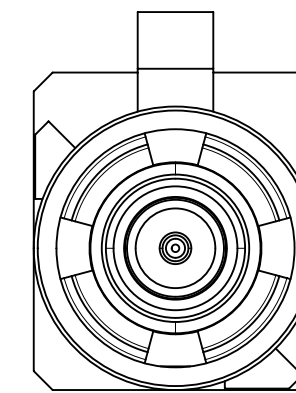
CODE Z



CODE L



CODE M



CODE N

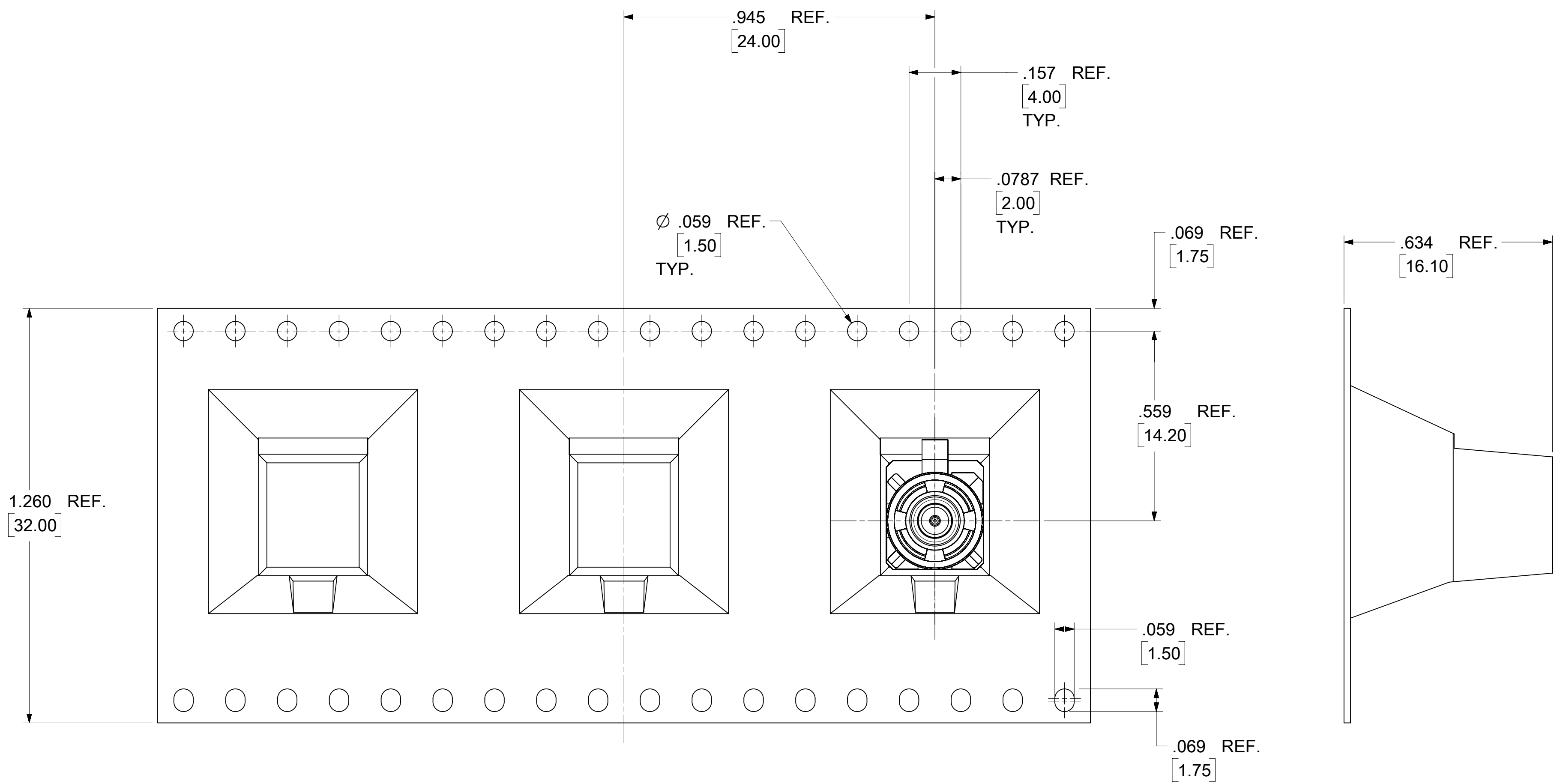
N	PASTEL GREEN	73403-5573
M	PASTEL ORANGE	73403-5572
L	CARMINE RED	73403-5571
Z	WATER BLUE	73403-5570
K	CURRY YELLOW	73403-5569
I	BEIGE	73403-5568
H	VIOLET	73403-5567
G	GRAY	73403-5566
F	BROWN	73403-5565
E	GREEN	73403-5564
D	BORDEAUXVIOLET	73403-5563
C	BLUE	73403-5562
B	SINGLE WHITE	73403-5561
A	BLACK	73403-5560
KEYING CODE	COLOR	PART NO.

FUNCTIONAL SYMBOLS	THIS DRAWING CONTAINS INFORMATION THAT IS PROPRIETARY TO MOLEX ELECTRONIC TECHNOLOGIES, LLC AND SHOULD NOT BE USED WITHOUT WRITTEN PERMISSION							
	DIMENSION UNITS	SCALE	CURRENT REV DESC:					
$\frac{E}{A} = 0$	INCH/MM	NTS	EC NO: 719496 DRWN: ELIN 2022/08/17 CHK'D: YCHENG 2022/08/30 APPR: YCHENG 2022/08/30					
$\frac{E}{C} = 0$	GENERAL TOLERANCES (UNLESS SPECIFIED)							
$\frac{E}{P} = 0$	ANGULAR TOL $\pm 2.0^\circ$							
DIVISIONAL SYMBOLS	4 PLACES	\pm	INITIAL REVISION: DRWN: ELIN 2010/01/20 APPR: MHUANG 2010/01/27					
	3 PLACES	\pm						
	2 PLACES	\pm						
	1 PLACE	\pm						
	0 PLACES	\pm						
DRAFT WHERE APPLICABLE MUST REMAIN WITHIN DIMENSIONS		THIRD ANGLE PROJECTION	DRAWING	SERIES	DOCUMENT NUMBER	DOC TYPE	DOC PART	REVISION
			C-SIZE	73403	SD-73403-556	PSD	001	A4
					SEE TABLE	GENERAL MARKET		5 OF 8

molex

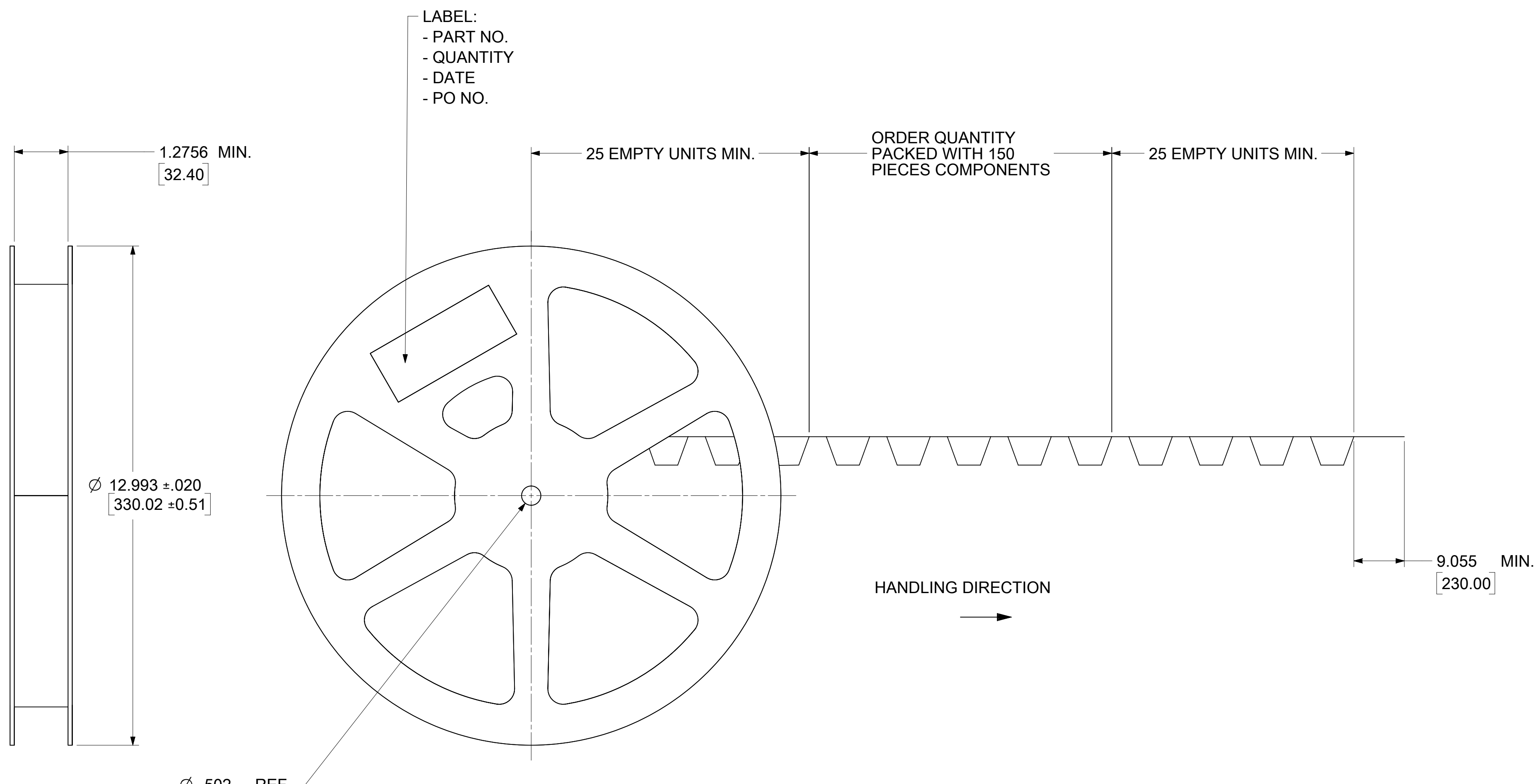
SMB JACK, FAKRA, VERTICAL PCB, 50 OHM
SMB-J/PCB, EWR # 14535

PRODUCT CUSTOMER DRAWING



FUNCTIONAL SYMBOLS		THIS DRAWING CONTAINS INFORMATION THAT IS PROPRIETARY TO MOLEX ELECTRONIC TECHNOLOGIES, LLC AND SHOULD NOT BE USED WITHOUT WRITTEN PERMISSION		CURRENT REV DESC:					
DIMENSION UNITS		SCALE		EC NO: 719496					
INCH/MM		NTS		DRWN: ELIN		SMB-J/PCB, EWR # 14535			
GENERAL TOLERANCES (UNLESS SPECIFIED)		ANGULAR TOL ± 2.0°		CHK'D: YCHENG		PRODUCT CUSTOMER DRAWING			
4 PLACES ±				APPR: YCHENG		DOCUMENT NUMBER			
3 PLACES ±				INITIAL REVISION:		2010/01/20		DOC TYPE	
2 PLACES ±				DRWN: ELIN		2010/01/27		DOC PART	
1 PLACE ±				APPR: MHUANG		SD-73403-556		REVISION	
0 PLACES ±				DRAFT WHERE APPLICABLE MUST REMAIN WITHIN DIMENSIONS		C-SIZE		A4	
THIRD ANGLE PROJECTION		DRAWING		SERIES		MATERIAL NUMBER		CUSTOMER	
		C-SIZE		73403		SEE TABLE		GENERAL MARKET	
SHEET NUMBER		6 OF 8							

DOCUMENT STATUS	P1	RELEASE DATE	2022/08/30	08:30:37
-----------------	----	--------------	------------	----------

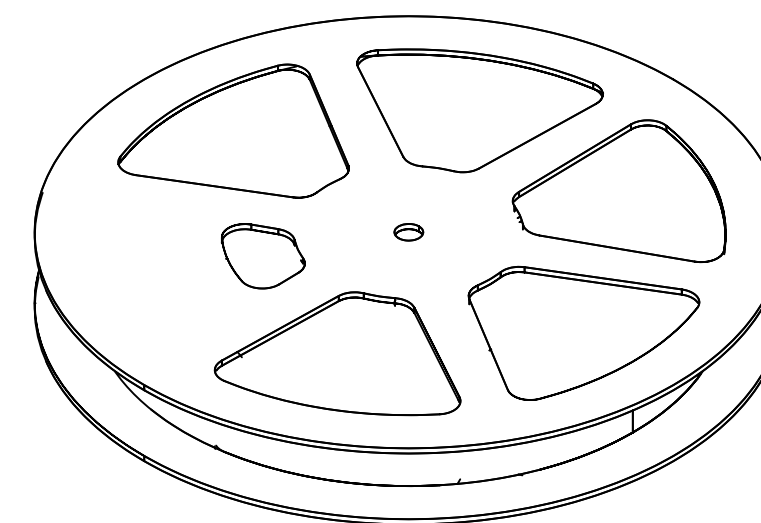
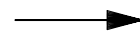
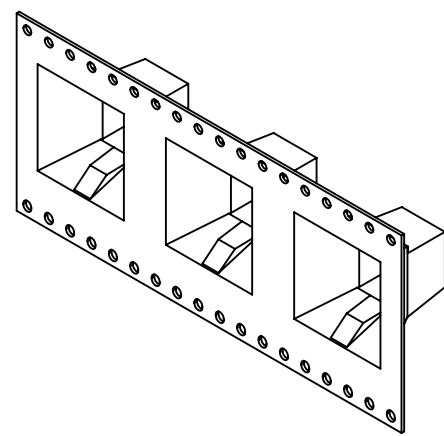
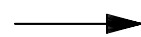
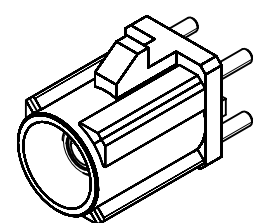


ORDER QUANTITY
PACKED WITH 150
PIECES COMPONENTS

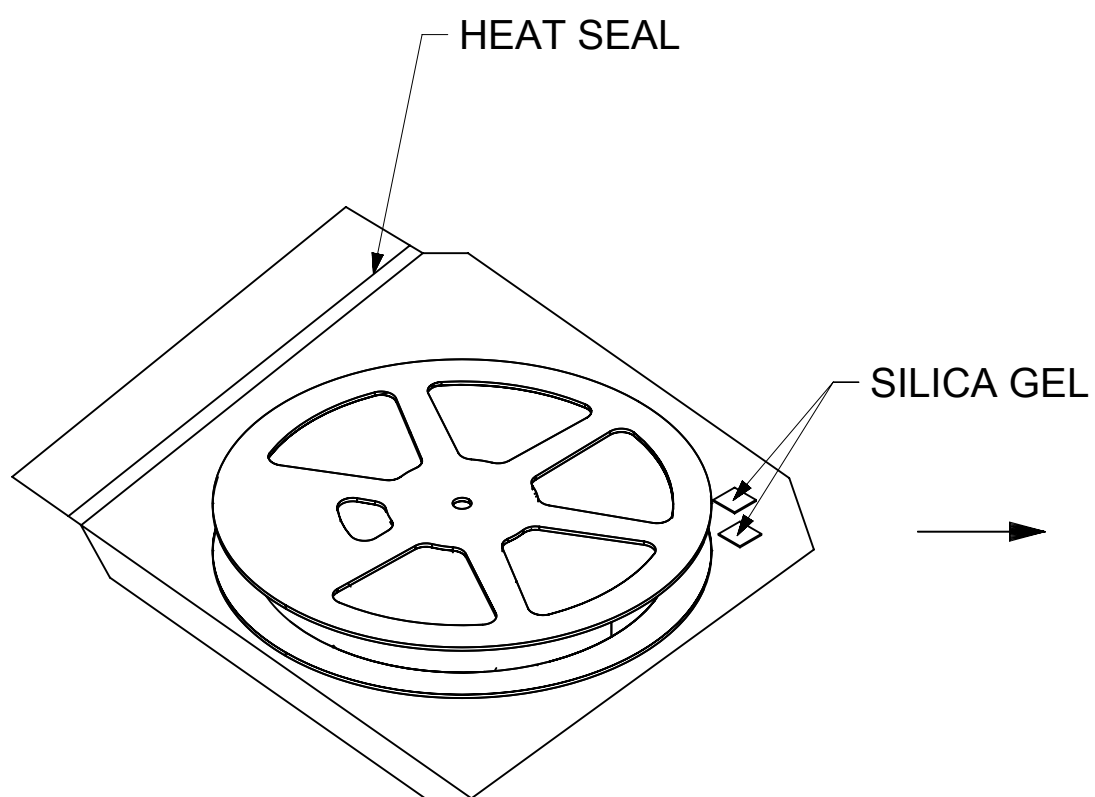
HANDLING DIRECTION
→

NOTE:
13" REEL SIZE FOR 150 PIECES

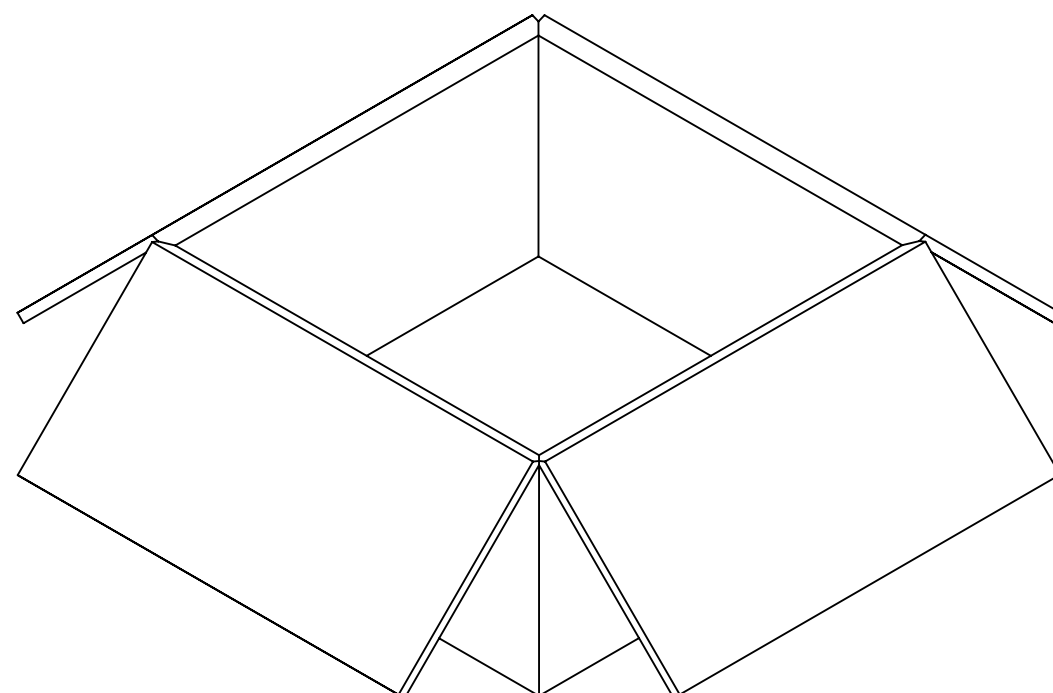
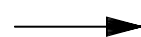
FUNCTIONAL SYMBOLS										THIS DRAWING CONTAINS INFORMATION THAT IS PROPRIETARY TO MOLEX ELECTRONIC TECHNOLOGIES, LLC AND SHOULD NOT BE USED WITHOUT WRITTEN PERMISSION									
DIMENSION UNITS					SCALE					CURRENT REV DESC:					<p>SMB JACK, FAKRA, VERTICAL PCB, 50 OHM SMB-J/PCB, EWR # 14535</p> <p>PRODUCT CUSTOMER DRAWING</p>				
INCH/MM					NTS					EC NO: 719496									
GENERAL TOLERANCES (UNLESS SPECIFIED)										DRWN: ELIN 2022/08/17									
ANGULAR TOL ± 2.0°					4 PLACES ±					CHK'D: YCHENG 2022/08/30					SD-73403-556				
DIVISIONAL SYMBOLS					3 PLACES ±					APPR: YCHENG 2022/08/30					PSD 001 A4				
2 PLACES ±					INITIAL REVISION:					DRWN: ELIN 2010/01/20					DOC TYPE DOC PART REVISION				
1 PLACE ±					APPR: MHUANG 2010/01/27					MATERIAL NUMBER CUSTOMER SHEET NUMBER									
0 PLACES ±					DRAFT WHERE APPLICABLE MUST REMAIN WITHIN DIMENSIONS					THIRD ANGLE PROJECTION					DRAWING SERIES MATERIAL NUMBER CUSTOMER SHEET NUMBER				
C-SIZE					73403					SEE TABLE GENERAL MARKET 7 OF 8									



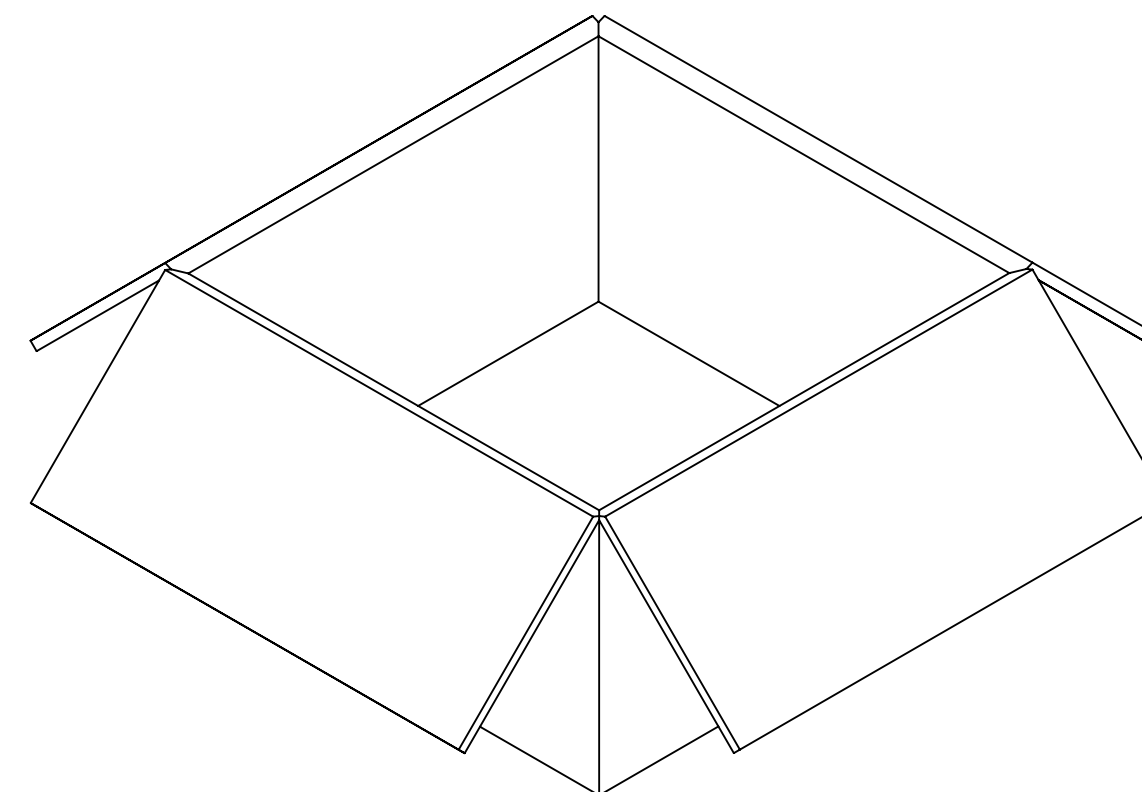
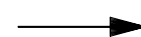
150 SET PER 13" REEL



HDPE BAG



600 SET PER INNER
CARTON BOX



600 SET PER OUTER
CARTON BOX

FUNCTIONAL SYMBOLS	THIS DRAWING CONTAINS INFORMATION THAT IS PROPRIETARY TO MOLEX ELECTRONIC TECHNOLOGIES, LLC AND SHOULD NOT BE USED WITHOUT WRITTEN PERMISSION										
	DIMENSION UNITS	SCALE	CURRENT REV DESC:								
$\frac{F}{A} = 0$	INCH/MM	NTS	EC NO: 719496								
$\frac{E}{C} = 0$	GENERAL TOLERANCES (UNLESS SPECIFIED)		DRWN: ELIN 2022/08/17								
$\frac{E}{P} = 0$	ANGULAR TOL $\pm 2.0^\circ$		CHK'D: YCHENG 2022/08/30								
DIVISIONAL SYMBOLS	4 PLACES \pm		APPR: YCHENG 2022/08/30								
	3 PLACES \pm		INITIAL REVISION:								
	2 PLACES \pm		DRWN: ELIN 2010/01/20								
	1 PLACE \pm		APPR: MHUANG 2010/01/27								
0 PLACES \pm		DRAFT WHERE APPLICABLE MUST REMAIN WITHIN DIMENSIONS		THIRD ANGLE PROJECTION		DRAWING	SERIES	MATERIAL NUMBER	CUSTOMER	SHEET NUMBER	
				C-SIZE	73403	SEE TABLE	GENERAL MARKET	SD-73403-556	PSD 001	A4	

molex

SMB JACK, FAKRA, VERTICAL PCB, 50 OHM
SMB-J/PCB, EWR # 14535

PRODUCT CUSTOMER DRAWING

DOCUMENT NUMBER: SD-73403-556
DOC TYPE: PSD
DOC PART: 001
REVISION: A4