

CPA TO BE INSTALLED IN PRE-LOCK POSITION AS SHOWN IN BOTH VIEWS. SEE NOTE #5

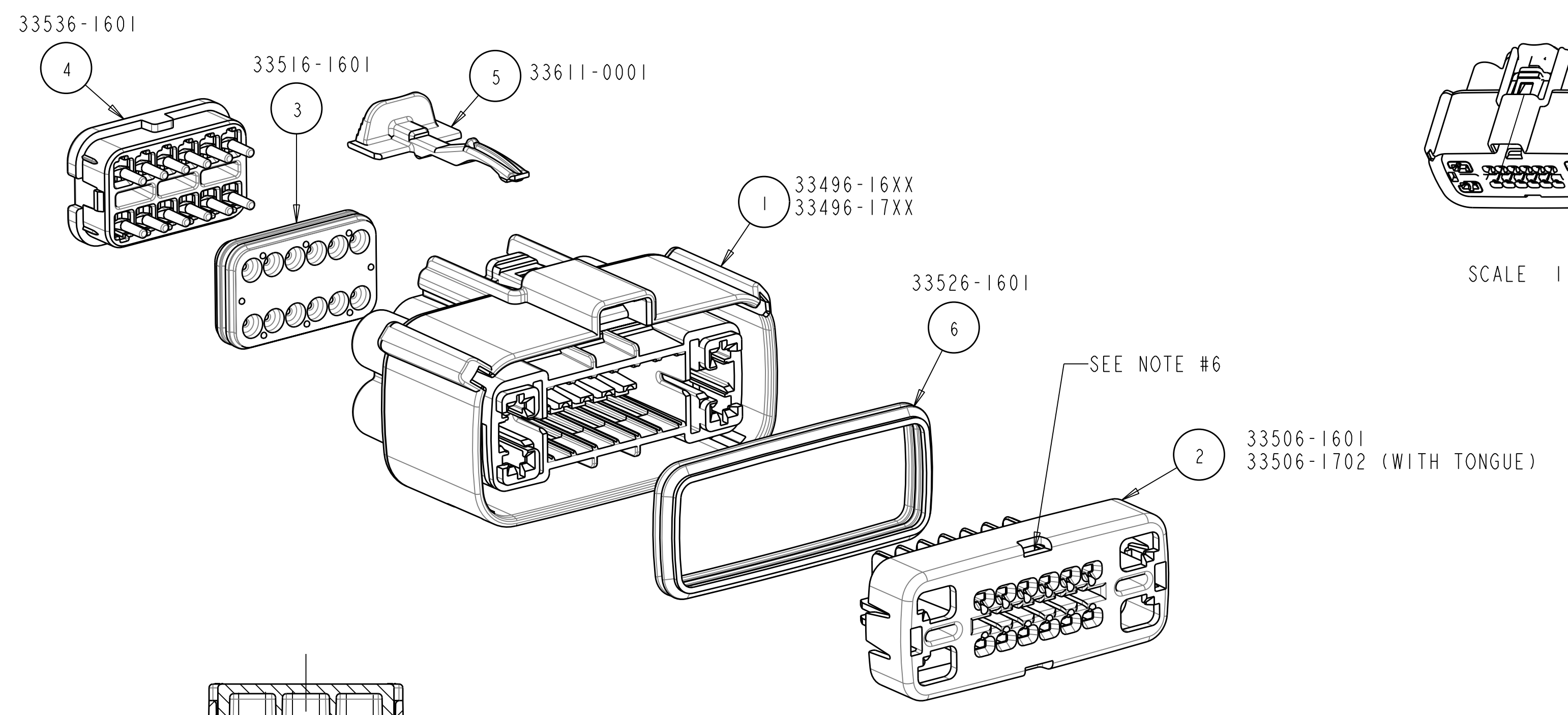
CPA TO BE INSTALLED IN PRE-LOCK POSITION AS SHOWN IN BOTH VIEWS. SEE NOTE #5

SECTION B-B  
(RECEPTACLE INSERT WITH SHORTING BAR SHOWN IN PRE-LOCK)  
SEE NOTE #2

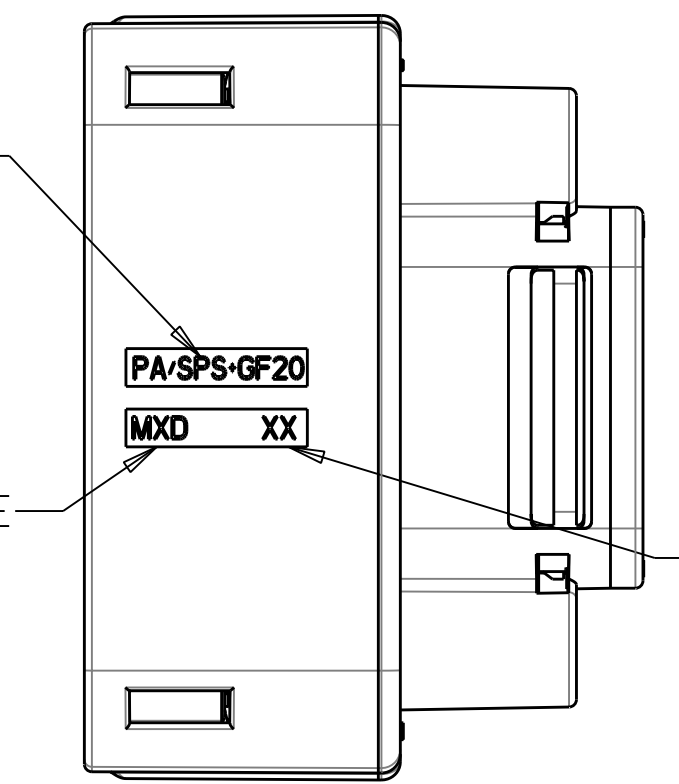
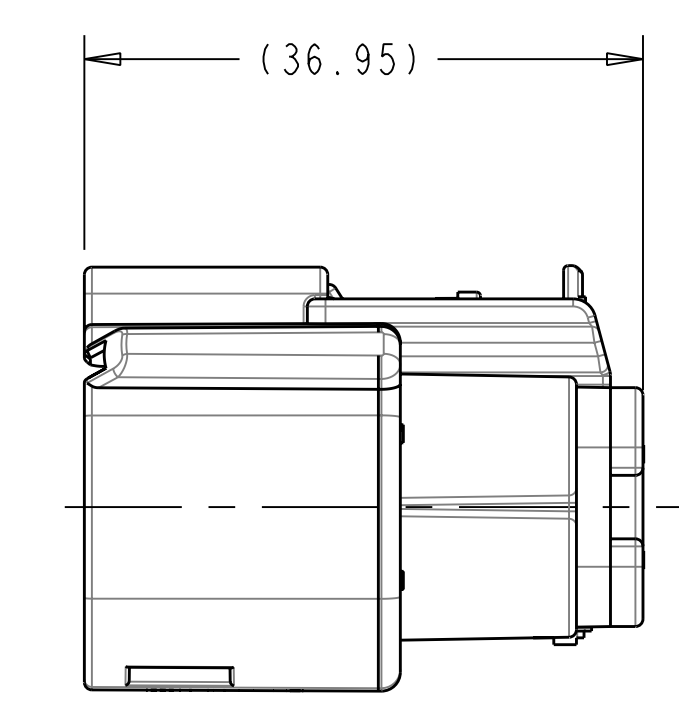
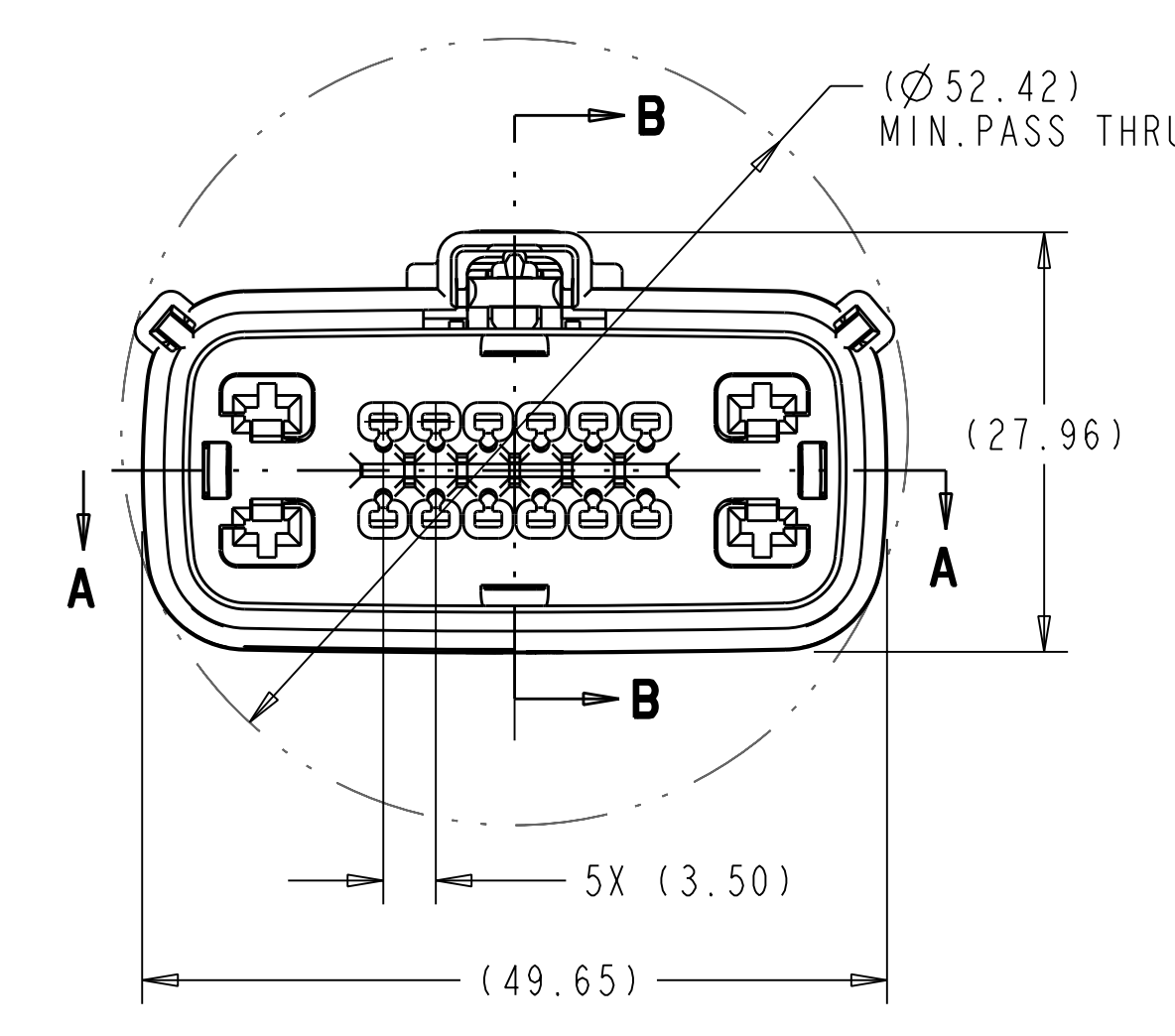
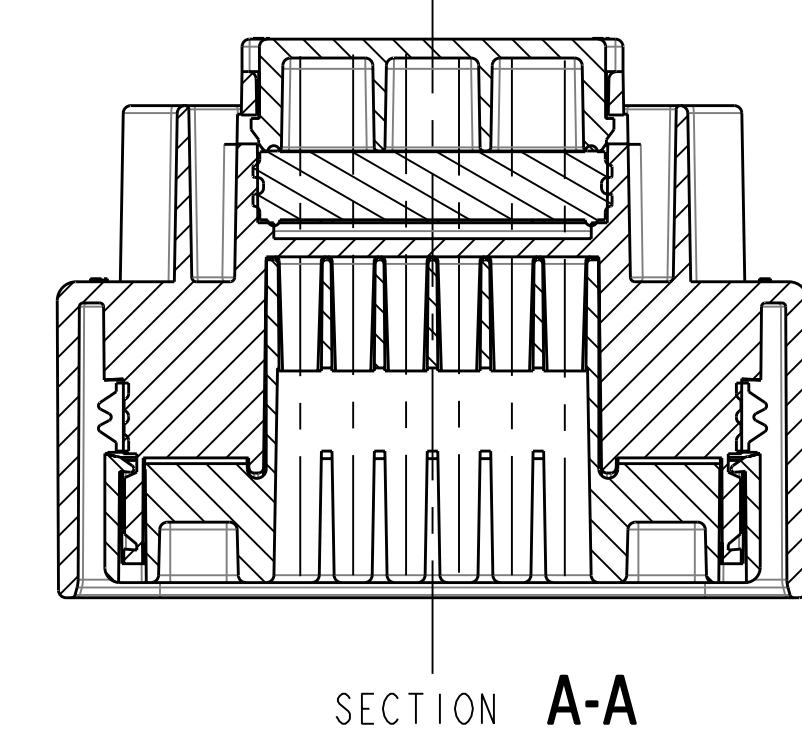
SECTION B-B  
(RECEPTACLE INSERT WITH SHORTING BAR SHOWN IN FULL-LOCK)  
SEE NOTE #2

SECTION B-B  
(RECEPTACLE INSERT SHOWN IN PRE-LOCK POSITION)  
SEE NOTE #2

SECTION B-B  
(RECEPTACLE INSERT SHOWN IN FULL-LOCK POSITION)  
SEE NOTE #2



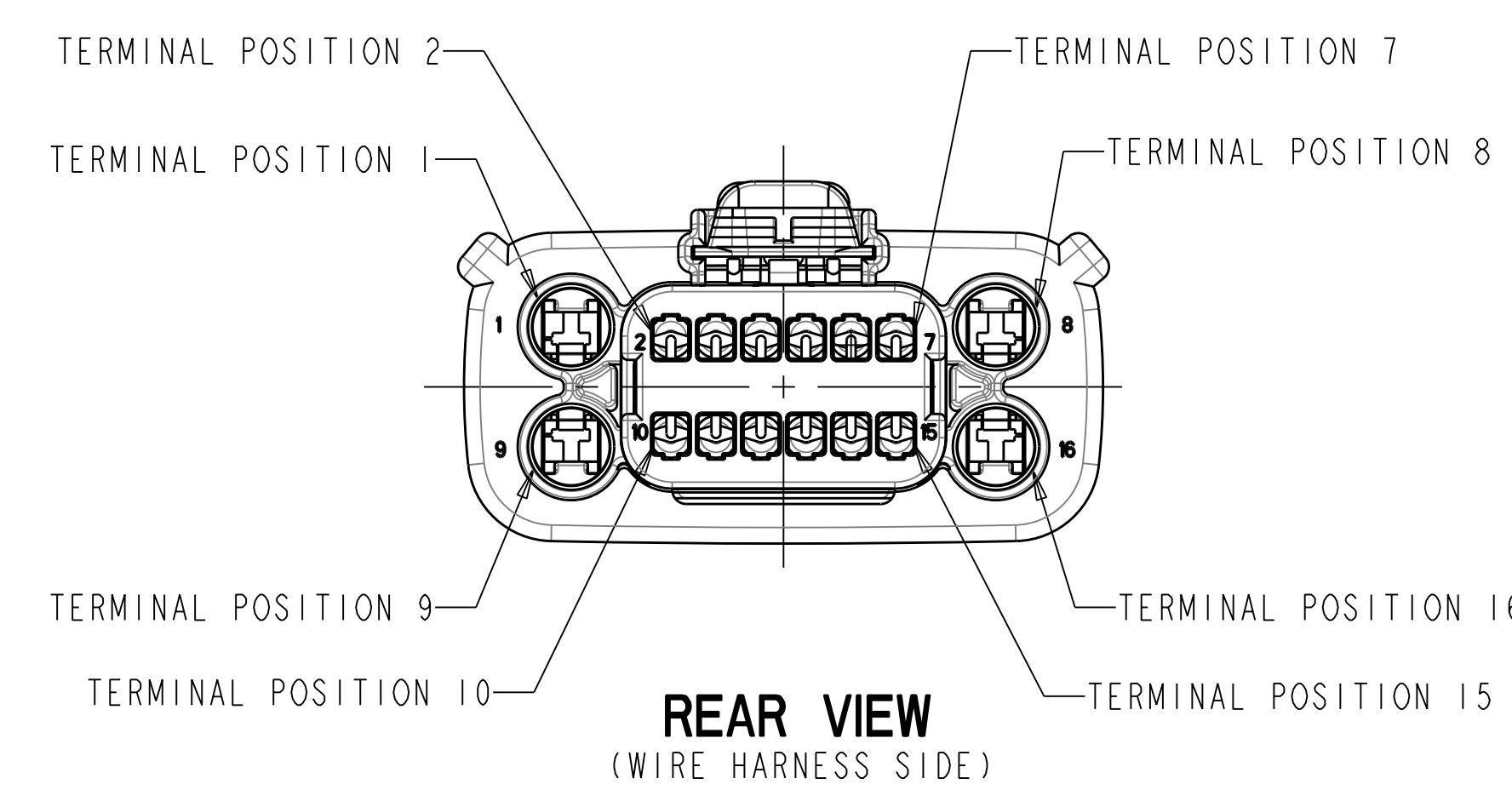
SCALE 1:1



MATERIAL RECYCLE CODE

MOLDING LOCATION CODE

MOLD CAVITY I.D.



- NOTES: UNLESS OTHERWISE SPECIFIED
- DESIGNED TO MATE WITH BLADE HOUSING ASSEMBLY SPECIFIED IN CHARTED DRAWING E-33486-161 OR DEVICE CONNECTION AS SPECIFIED IN DRAWING E-33586-161. SEE CHART
  - ASSEMBLY SHIPPED WITH RECEPTACLE INSERT IN PRE-LOCK POSITION (SEE SECTION B-B PRE-LOCK). UPON FULL TERMINAL ASSEMBLY, EACH RECEPTACLE INSERT MUST BE SNAPPED INTO ITS FINAL-LOCK POSITION.
  - FOR 1.5mm RECEPTACLE TERMINALS TO BE USED WITH THIS ASSEMBLY, SEE MOLEX DRAWING E-33012-001. FOR FORD 2.8mm FEMALE RECEPTACLE SEE CHART.
  - SYSTEM TO BE USED WITH WIRE WITHIN Ø RANGE OF 1.2mm TO 2.4mm.
  - OPTIONAL CPA SHOWN IN ALL VIEWS. SEE TABLES FOR SPECIFIC ASSEMBLY OPTION AND NUMBER. CPA MUST BE INSERTED TO THE PRE-LOCK POSITION, AS SHOWN IN SECTION B-B. WHEN CORRECTLY SEATED THE CPA DOES NOT MOVE, FREELY.
  - SERVICE WITH SCREWDRIVER.
  - REFER TO SHEET # 2 OF THIS DRAWING FOR ALL PART NUMBER CONFIGURATION OPTIONS.
  - REFER TO ASSEMBLY DRAWING E-33476-181 FOR RECEPTACLE WITH CLIP SLOT OPTIONS.
  - a. ENGAGEMENT FORCE - NO TERMINALS (PRE TO FINAL): 15N MIN.  
b. ENGAGEMENT FORCE - WITH TERMINALS (PRE TO FINAL): 60N MAX.  
c. DISENGAGEMENT FORCE - WITH TERMINALS (FINAL TO PRE): 18N MIN. 60N MAX.  
d. PARTIALLY INSTALLED TERMINAL DETECTION - 80N MIN OR 40N GREATER THAN (b) WHICHEVER IS GREATER.  
e. REMOVAL FORCE - WITH TERMINALS (FINAL TO OUT OF CONNECTOR): 25N MIN.

TYCO 2.8mm CABLE SEAL TERMINAL	
FORD P/N	GRIP SIZE
IFIT-14474-KA	12
IFIT-14474-JA	14
IFIT-14474-HA	16
IFIT-14474-GA	18
IFIT-14474-FA	20
IFIT-14474-EA	22

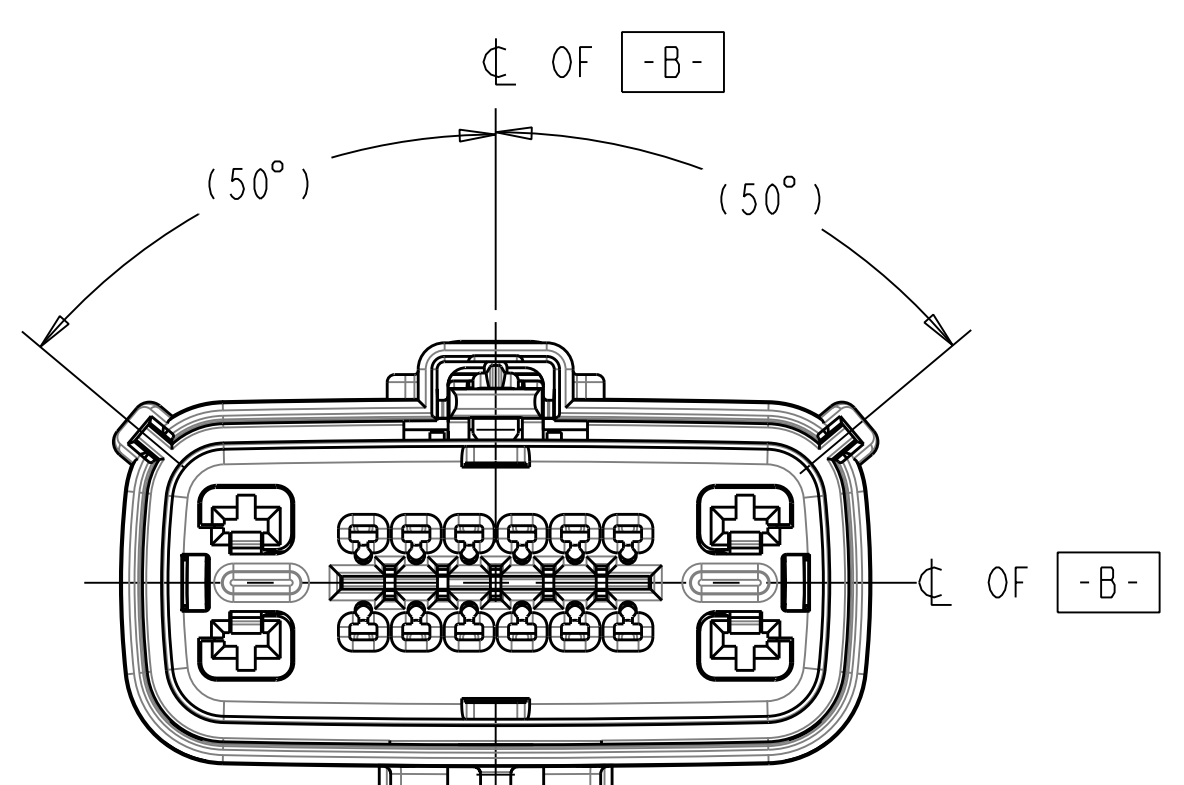
EC NO: UA02005-0053	DESCRIPTION
DRWN: D.GRIFFITHS 08-11-04	
CHK: D.GRIFFITHS 08-11-04	
APPR: D.GRIFFITHS 08-11-04	
REV N	REV

QUALITY SYMBOLS	GENERAL TOLERANCES (UNLESS SPECIFIED)	
	mm	INCH
4 PLACES	± .05	± .002
3 PLACES	± .02	± .0008
2 PLACES	± 0.10	± .004
1 PLACE	± 0.3	± .012
	ANGULAR	± 3°

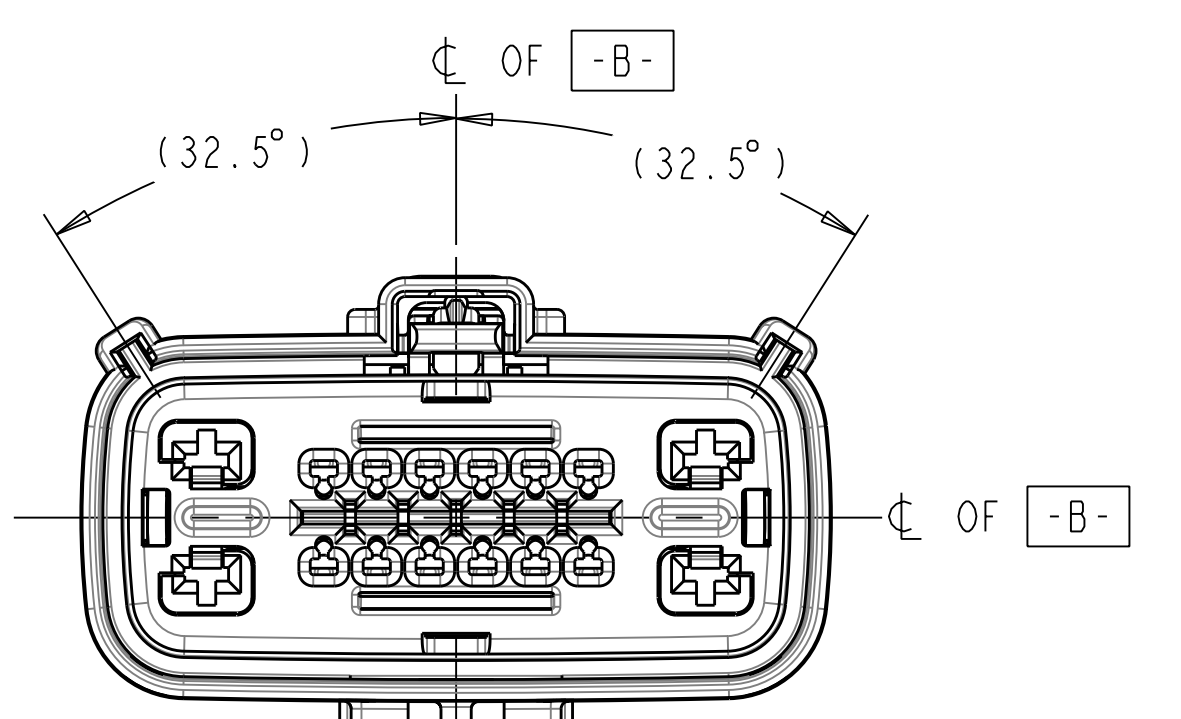
SCALE 2:1	DESIGN UNITS mm
DIMENSION STYLE mm	
DRAWN BY J. WESLEY	DATE 06-16-02
CHECKED BY D.GRIFFITHS	DATE 07-09-02
APPROVED BY F.HOLUB	DATE 07-09-02

THIRD ANGLE PROJECTION	REVISE ON CAD ONLY
TITLE 1.5mm/2.8mm HYBRID CONNECTOR, RCPT 2 ROW HOUSING, SEALED, 16 WAY	
MOLEX MOLEX INCORPORATED	
MATERIAL NO. -	DOCUMENT NO. SD-33476-161
SHEET NO. 1 OF 2	E

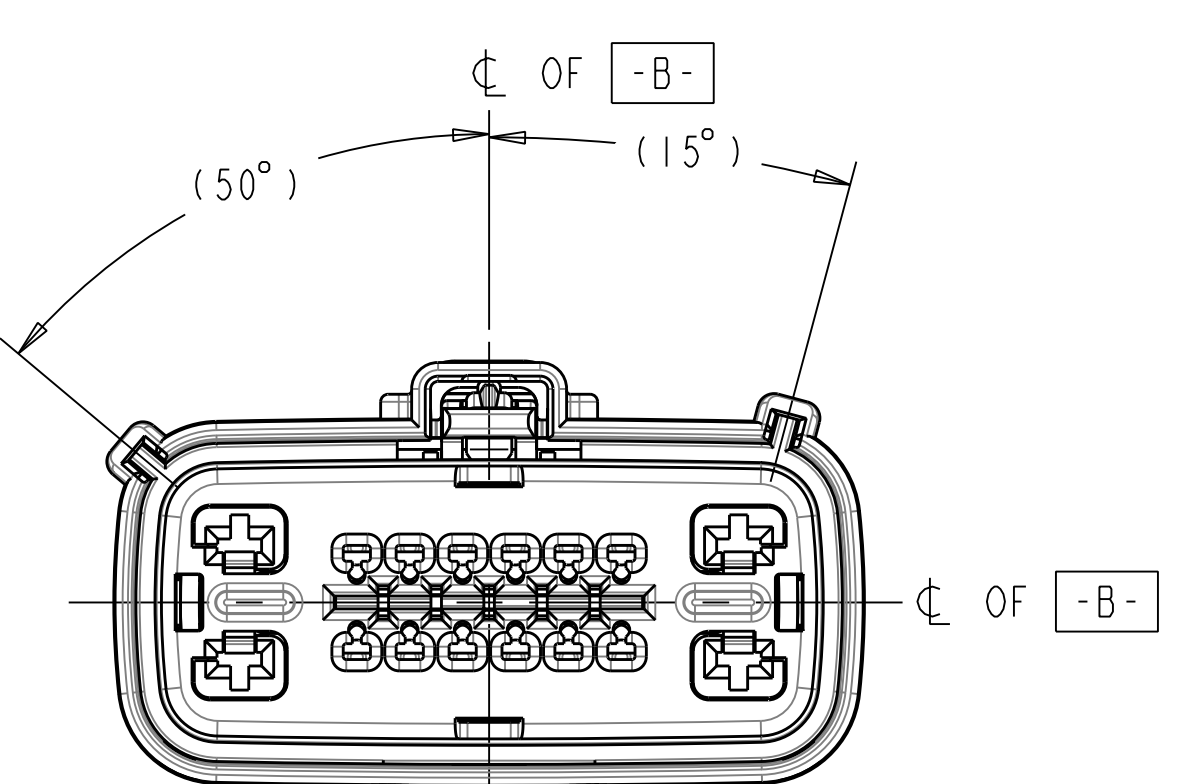




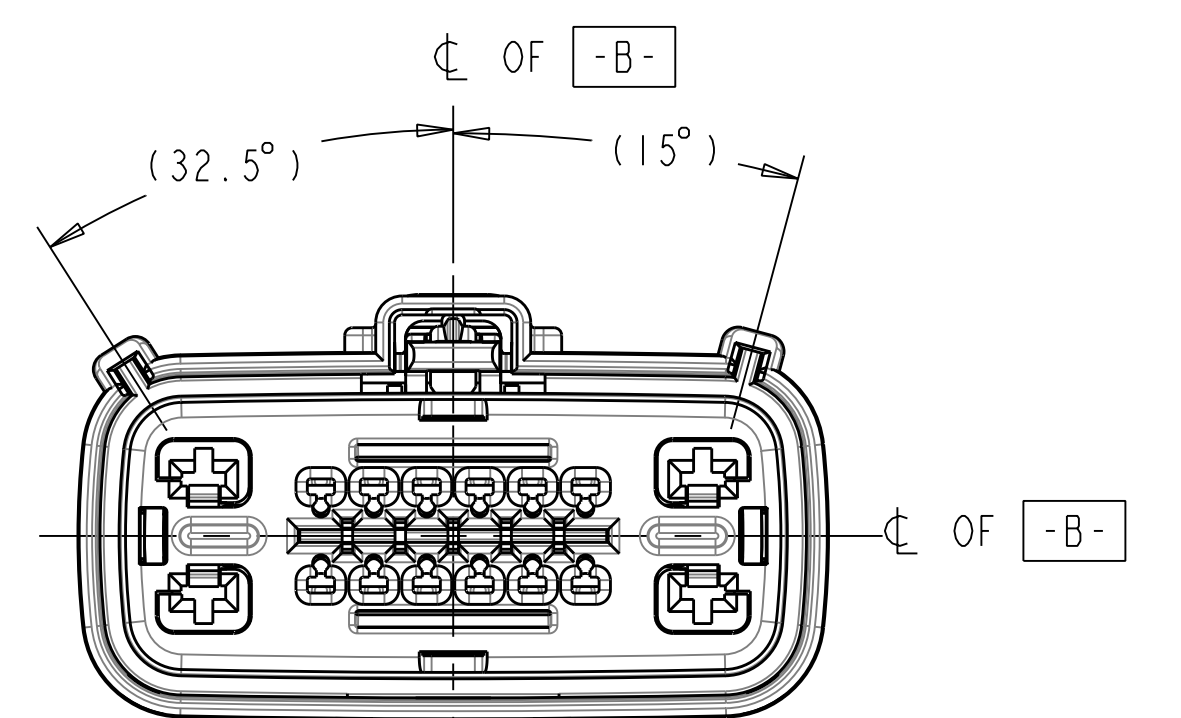
KEYING OPTION A  
SCALE 2:1



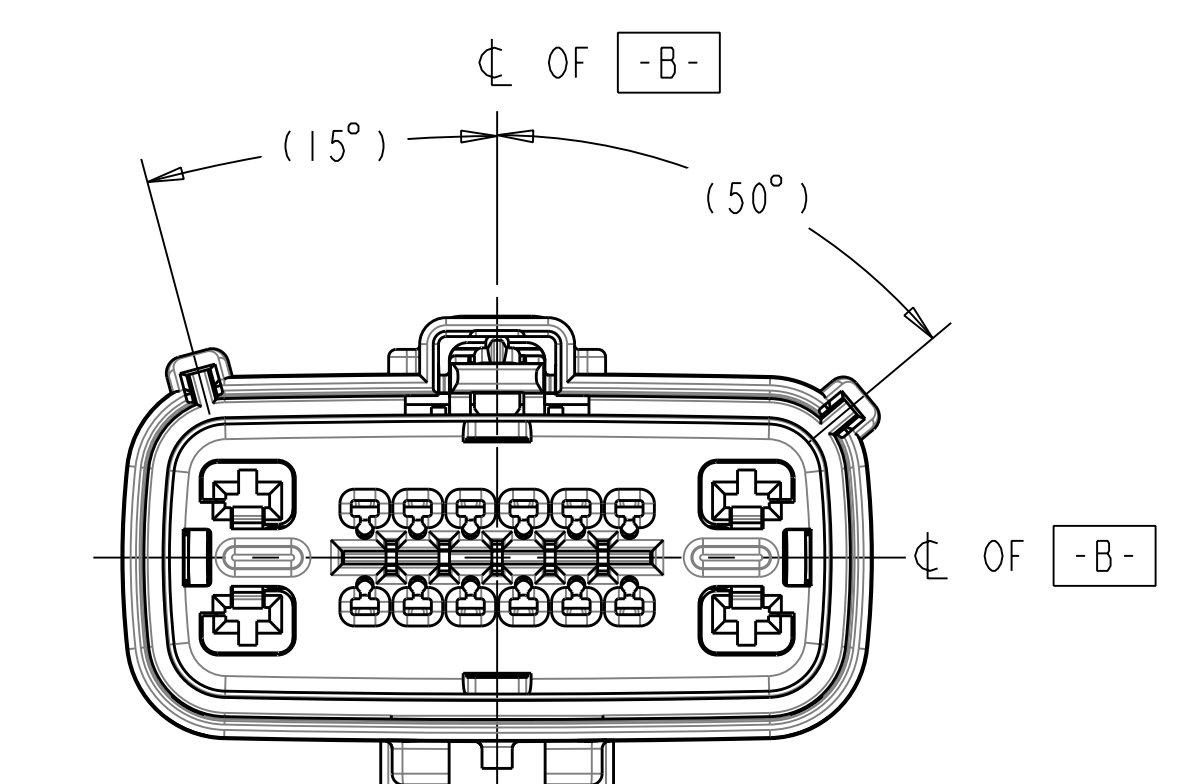
KEYING OPTION E  
SCALE 2:1



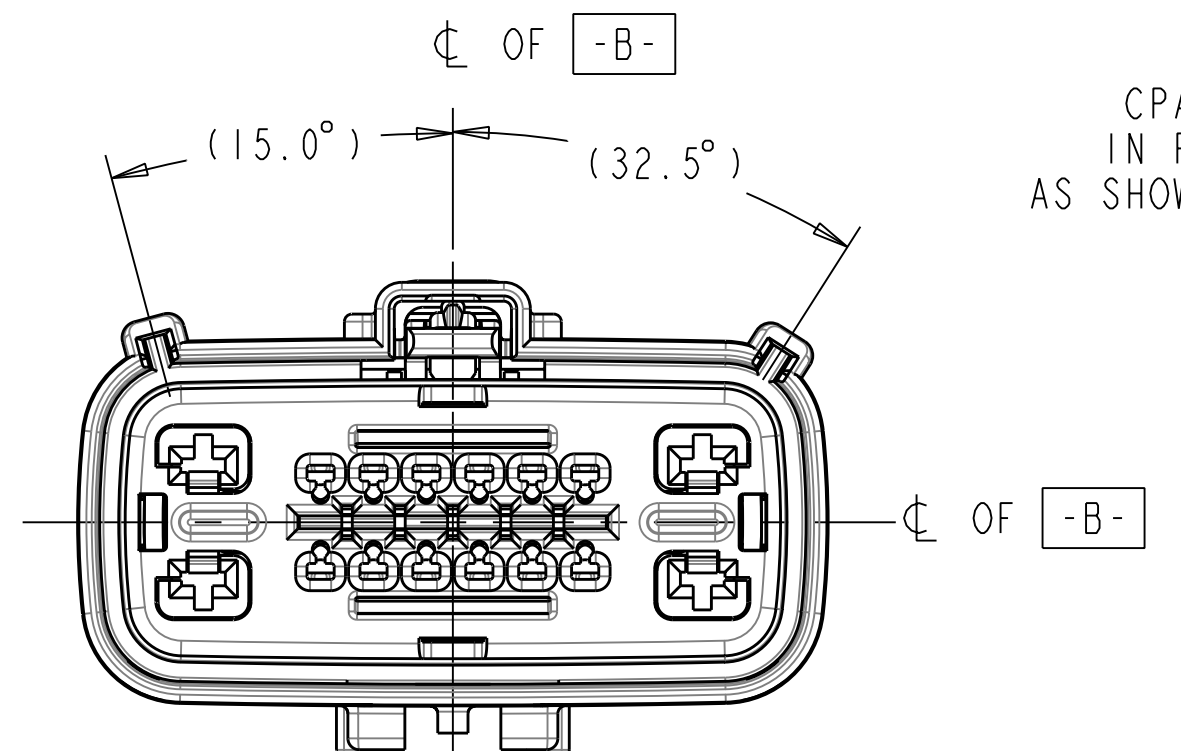
KEYING OPTION B  
SCALE 2:1



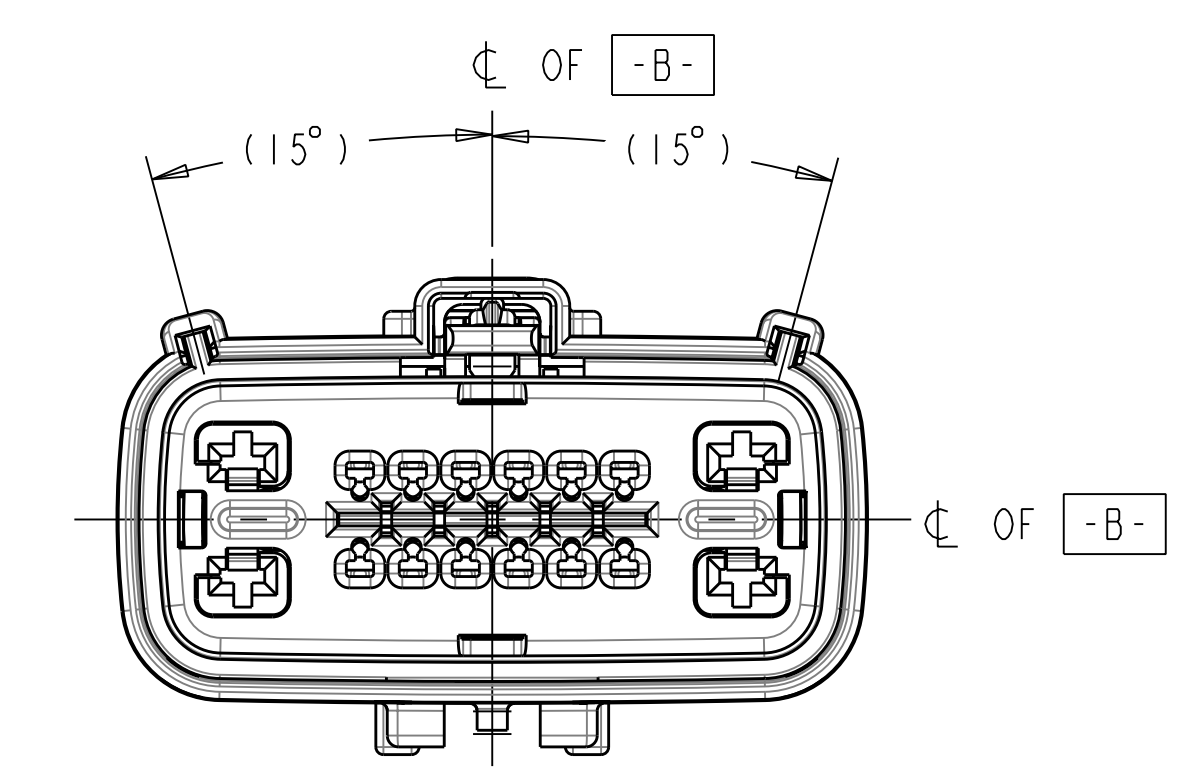
KEYING OPTION F  
SCALE 2:1



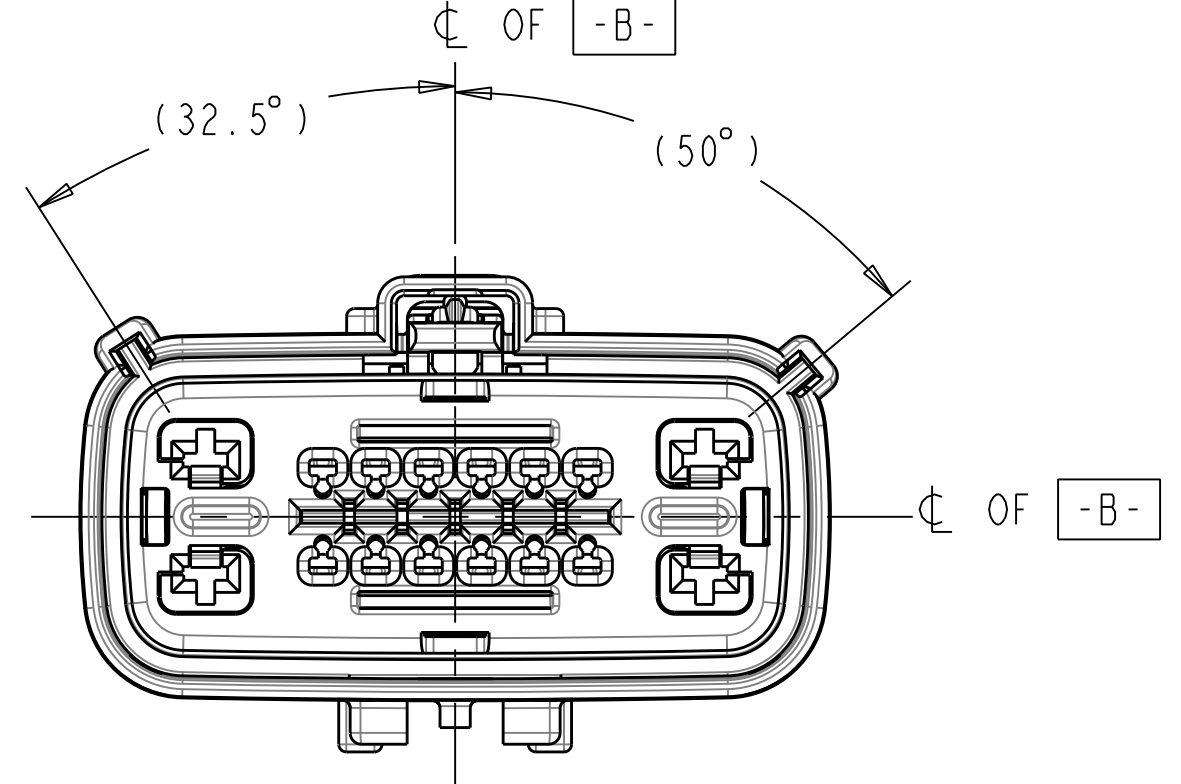
KEYING OPTION C  
SCALE 2:1



KEYING OPTION G  
SCALE 2:1

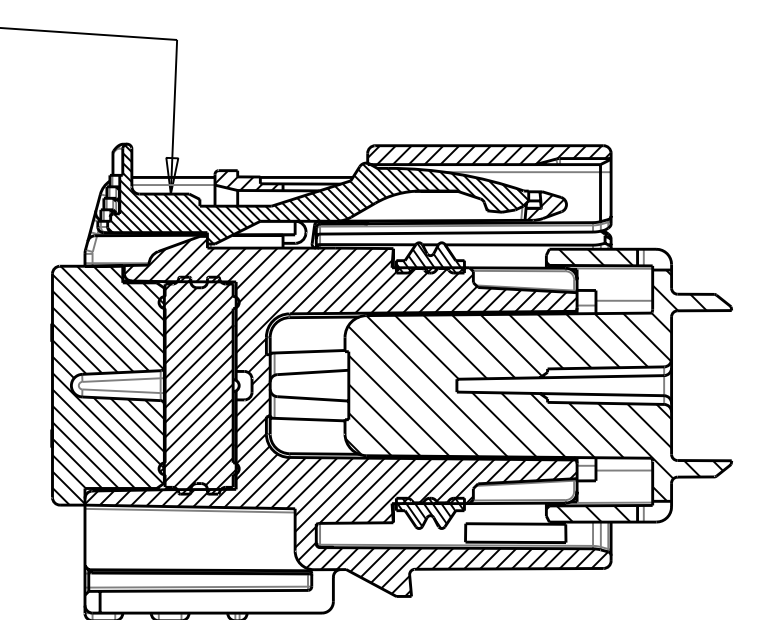


KEYING OPTION D  
SCALE 2:1

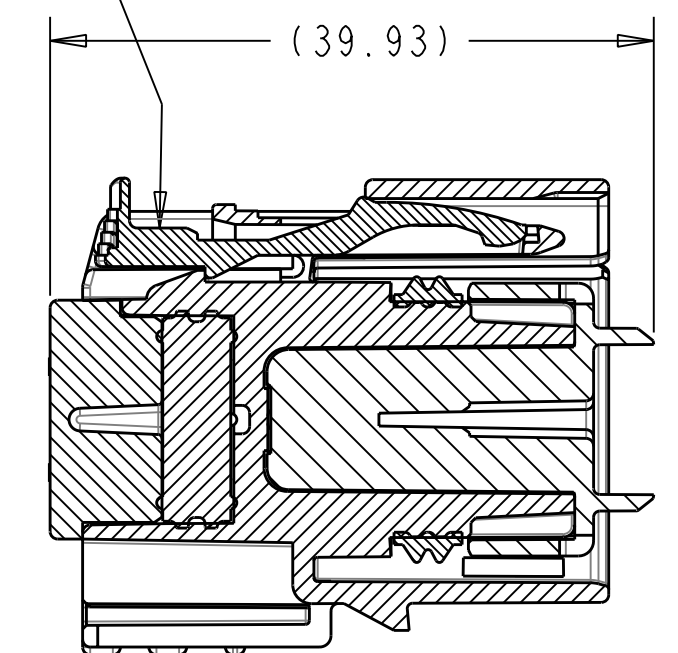


KEYING OPTION H  
SCALE 2:1

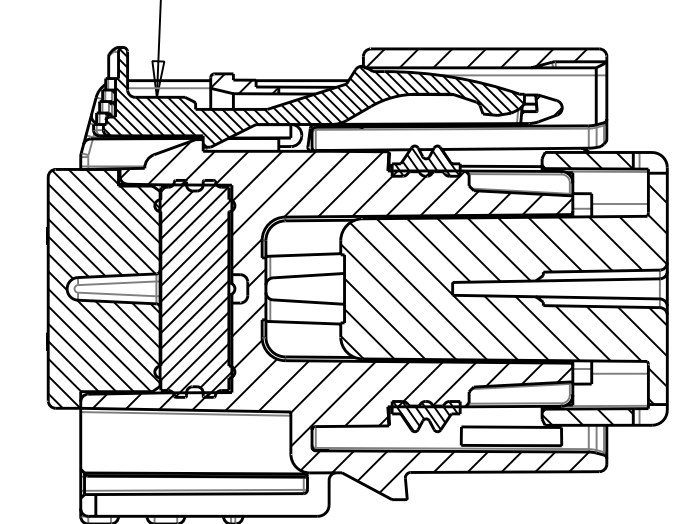
CPA TO BE INSTALLED  
IN PRE-LOCK POSITION  
AS SHOWN IN BOTH VIEWS,  
SEE NOTE #5



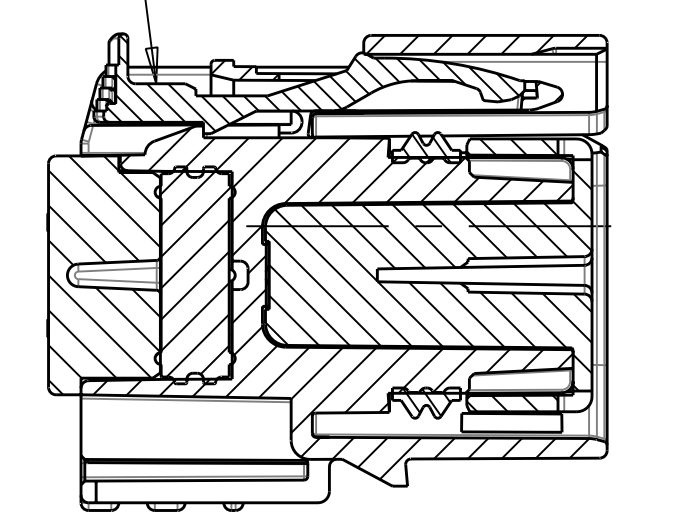
SECTION B-B  
(RECEPTACLE INSERT WITH  
SHORTING BAR LIFTER  
SHOWN IN PRE-LOCK)  
SEE NOTE #2



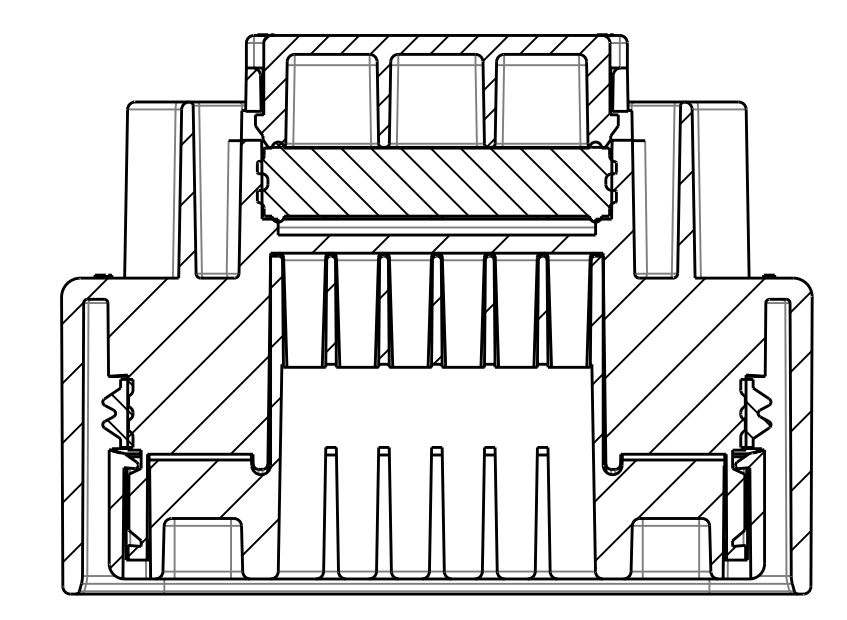
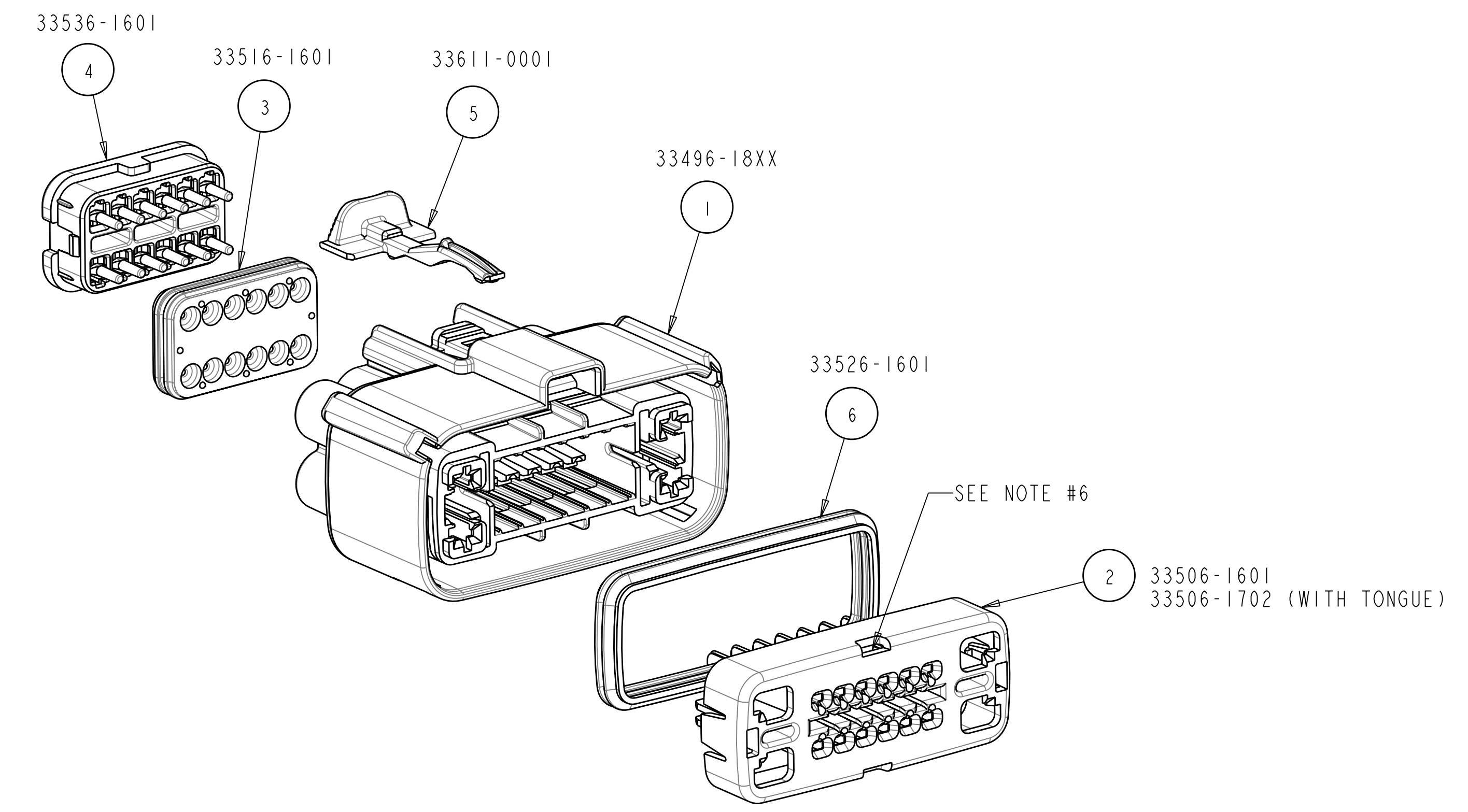
SECTION B-B  
(RECEPTACLE INSERT WITH  
SHORTING BAR LIFTER  
SHOWN IN FULL-LOCK)  
SEE NOTE #2



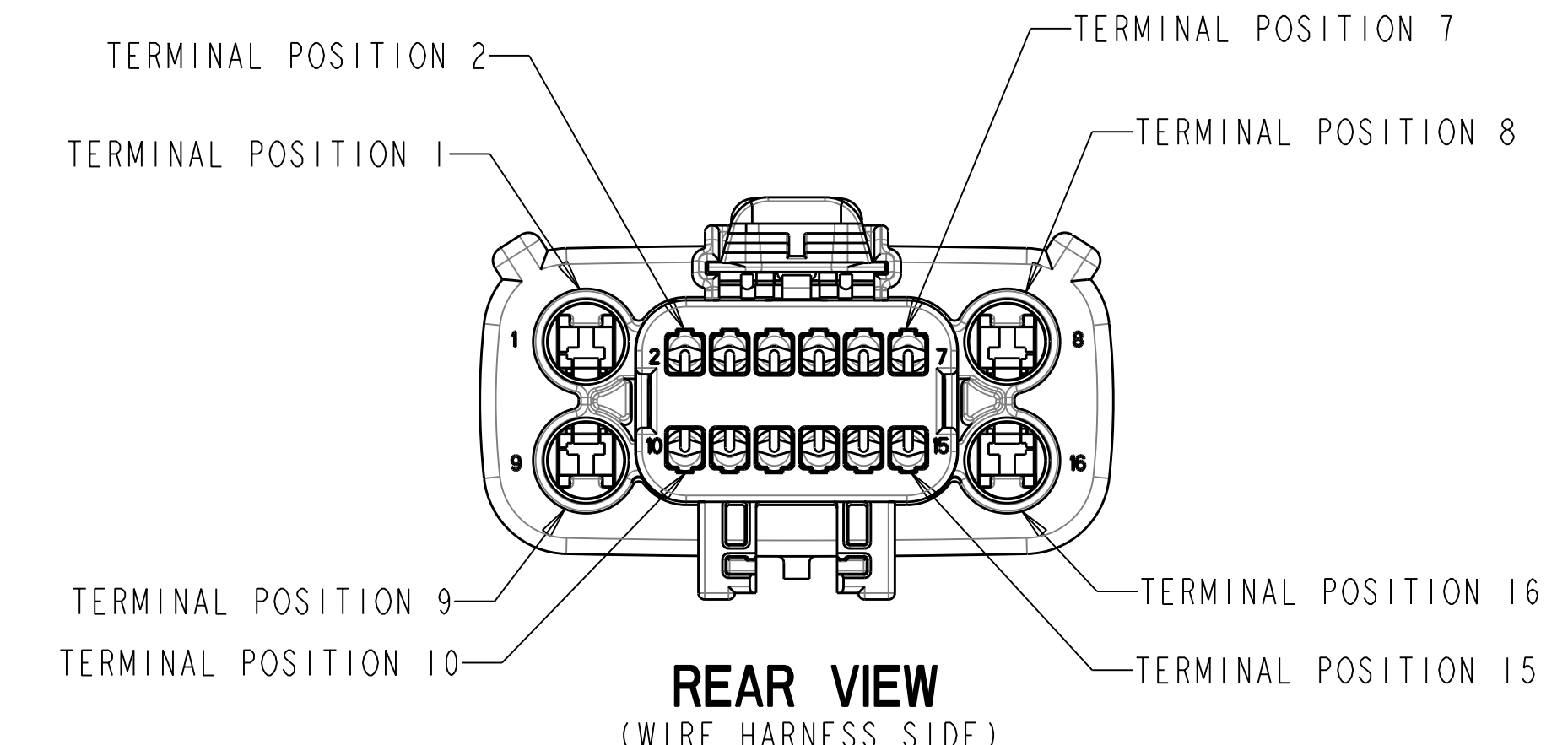
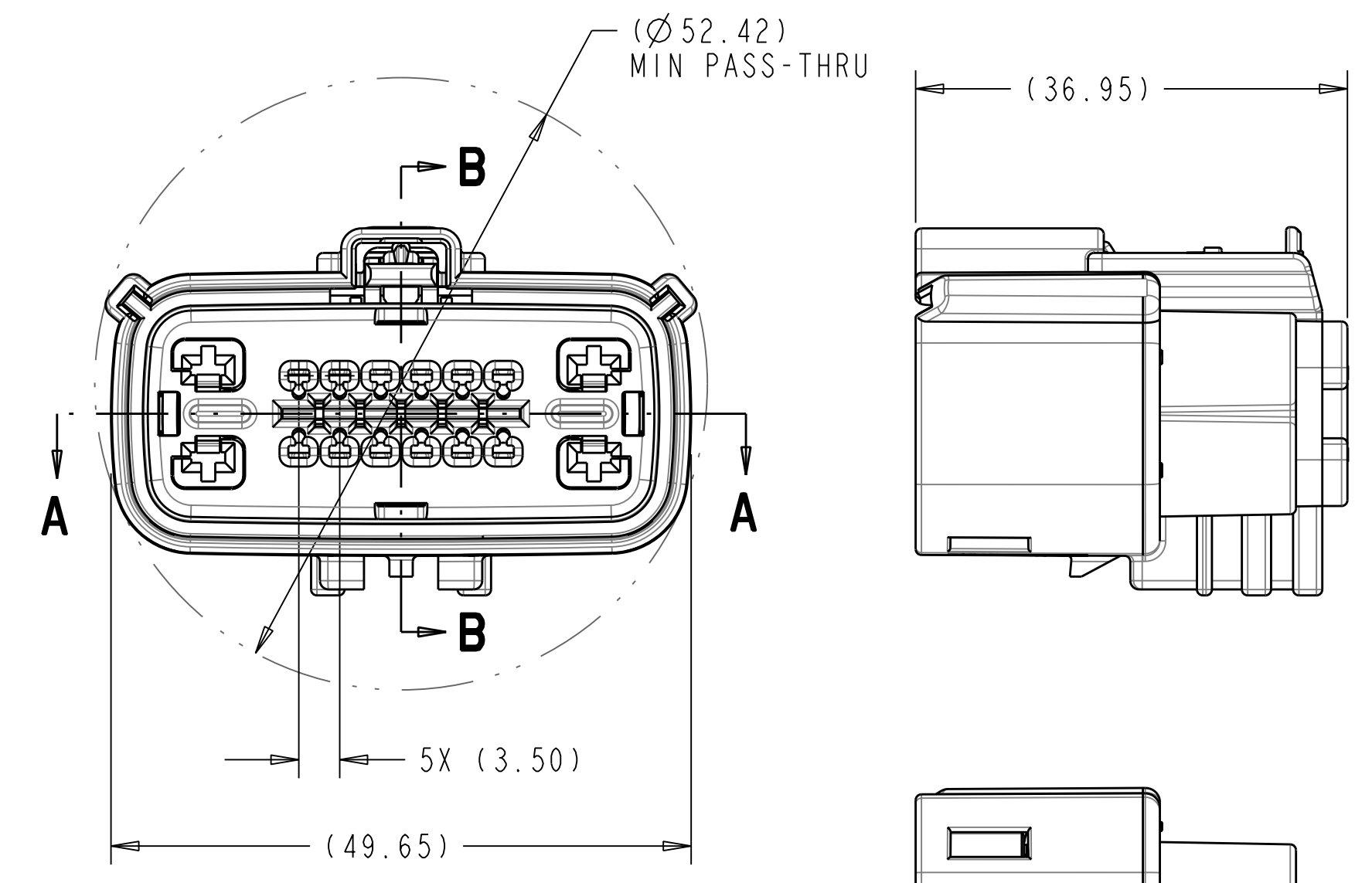
SECTION B-B  
(RECEPTACLE INSERT  
SHOWN IN PRE-LOCK)  
SEE NOTE #2



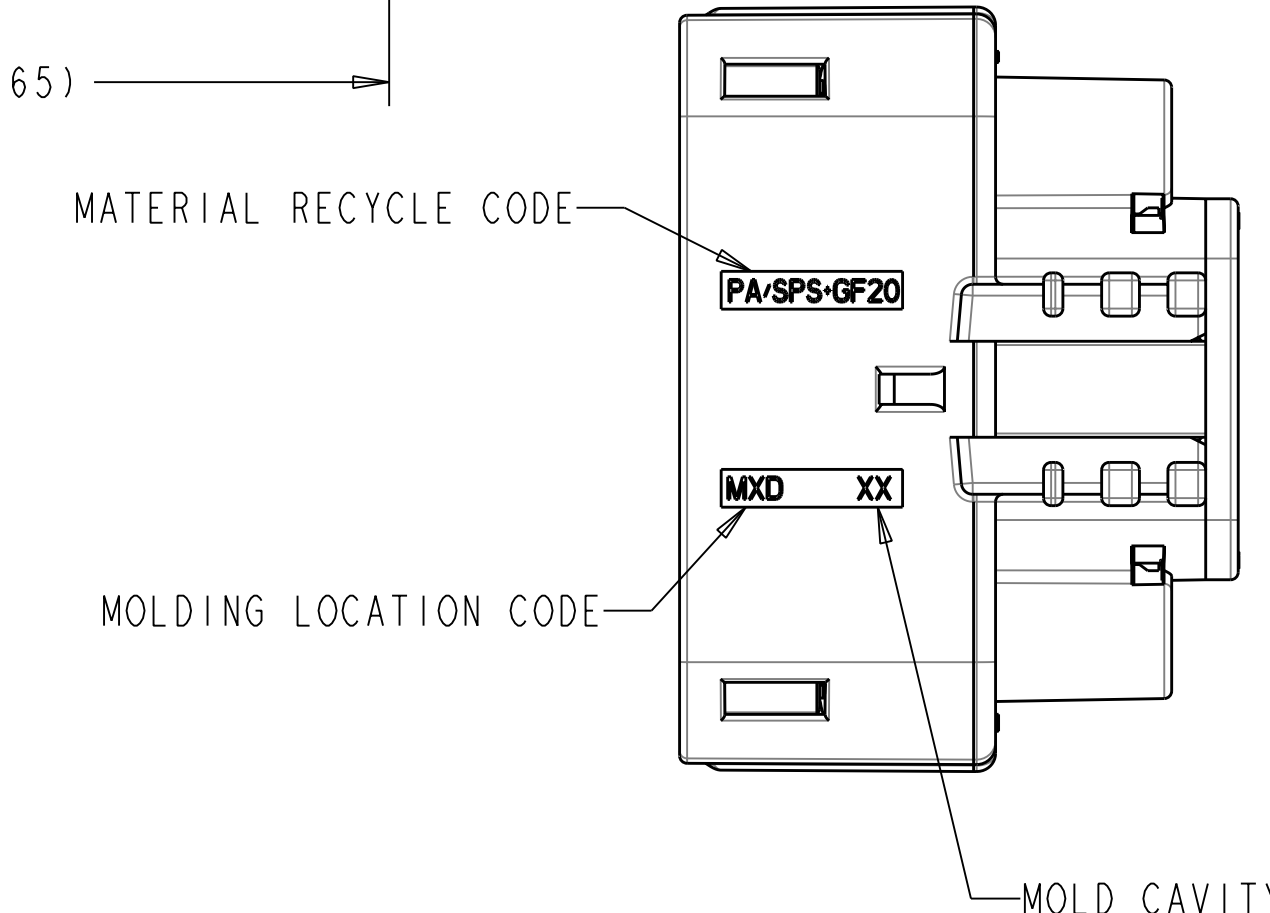
SECTION B-B  
(RECEPTACLE INSERT  
SHOWN IN FULL-LOCK)  
SEE NOTE #2



SECTION A-A



REAR VIEW  
(WIRE HARNESS SIDE)



MATERIAL RECYCLE CODE

MOLDING LOCATION CODE

MOLD CAVITY I.D.

- NOTES: UNLESS OTHERWISE SPECIFIED
- DESIGNED TO MATE WITH BLADE HOUSING ASSEMBLY SPECIFIED IN CHARTED DRAWING E-33486-161 OR DEVICE CONNECTION AS SPECIFIED IN DRAWING E-33586-161. SEE CHART
  - ASSEMBLY SHIPPED WITH RECEPTACLE INSERT IN PRE-LOCK POSITION (SEE SECTION B-B PRE-LOCK). UPON FULL TERMINAL ASSEMBLY, EACH RECEPTACLE INSERT MUST BE SNAPPED INTO ITS FINAL-LOCK POSITION.
  - FOR 1.5mm RECEPTACLE TERMINALS TO BE USED WITH THIS ASSEMBLY, SEE MOLEX DRAWING E-33012-001. FOR FORD 2.8mm FEMALE RECEPTACLE SEE CHART.
  - SYSTEM TO BE USED WITH WIRE WITHIN Ø RANGE OF 1.2mm TO 2.4mm.
  - OPTIONAL CPA SHOWN IN ALL VIEWS. SEE TABLES FOR SPECIFIC ASSEMBLY OPTION AND NUMBER. CPA MUST BE INSERTED TO THE PRE-LOCK POSITION, AS SHOWN IN SECTION B-B. WHEN CORRECTLY SEATED THE CPA DOES NOT MOVE, FREELY.
  - SERVICE WITH SCREWDRIVER.
  - REFER TO TABLE ON SHEET 2 OF THIS DRAWING FOR ALL PART NUMBER CONFIGURATION OPTIONS.
  - REFER TO ASSEMBLY DRAWING E-33476-161 FOR RECEPTACLE WITHOUT CLIP SLOT OPTIONS.
  - ENGAGEMENT FORCE - NO TERMINALS (PRE TO FINAL): 15N MIN.
  - ENGAGEMENT FORCE - WITH TERMINALS (PRE TO FINAL): 60N MAX.
  - DISENGAGEMENT FORCE - WITH TERMINALS (FINAL TO PRE): 18N MIN, 60N MAX.
  - PARTIALLY INSTALLED TERMINAL DETECTION - 80N MIN OR 40N GREATER THAN (b) WHICHEVER IS GREATER.
  - REMOVAL FORCE - WITH TERMINALS (FINAL TO OUT OF CONNECTOR): 25N MIN.

TYCO 2.8mm CABLE SEAL TERMINAL	
FORD P/N	GRIP SIZE
IFIT-14474-RA	12
IFIT-14474-JA	14
IFIT-14474-HA	16
IFIT-14474-GA	18
IFIT-14474-FA	20
IFIT-14474-EA	22

EC NO: UAU2005-0053	DRWN: D.GRIFFITHS 08-11-04	CH'K: D.GRIFFITHS 08-11-04	APPR: D.GRIFFITHS 08-11-04
M	REV	DESCRIPTION	

QUALITY SYMBOLS	GENERAL TOLERANCES (UNLESS SPECIFIED)	
	mm	INCH
4 PLACES	± .10	± .004
3 PLACES	± .15	± .005
2 PLACES	± 0.30	± .012
1 PLACE	± 0.75	± .030
	ANGULAR ± 3°	

SCALE 2:1	DESIGN UNITS mm
DIMENSION STYLE mm	
DRAWN BY D.GRIFFITHS	DATE 05-21-03
CHECKED BY D.GRIFFITHS	DATE 05-21-03
APPROVED BY D.GRIFFITHS	DATE 05-21-03

THIRD ANGLE PROJECTION	REVISE ON CAD ONLY
TITLE 1.5mm/2.8mm HYBRID CONNECTOR, RCPT 2 ROW HOUSING w/ CLIP SLOT SEALED, 16 WAY	
MOLEX MOLEX INCORPORATED	
MATERIAL NO. -	DOCUMENT NO. SD-33476-181
SHEET NO. 1 OF 2	

THIS DRAWING CONTAINS INFORMATION THAT IS PROPRIETARY TO MOLEX INCORPORATED AND SHOULD NOT BE USED WITHOUT WRITTEN PERMISSION

	ASSEMBLY PART NUMBER	HOUSING PART NUMBER	COLOR	KEYING OPTION	MAT SEAL CAP	CAVITY TYPE & STATUS (X = PLUGGED)										CPA	INTERFACE SEAL	MAT SEAL	INSERT/TPA	
						2	3	4	5	6	7	10	11	12	13					14
T	33476-1713	33496-1806	BLACK	E	33536-1601													33526-1601	33516-1601	33506-1702
	33476-1841	33496-1801	BLACK	A	33536-1601													33526-1601	33516-1601	33506-1601
	33476-1848	33496-1801	BLACK	A	33536-1601	X											33611-0001	33526-1601	33516-1601	33506-1601
	33476-1849	33496-1801	BLACK	A	33536-1601												33611-0001	33526-1601	33516-1601	33506-1601
S	33476-1850	33496-1801	BLACK	A	33536-1601	X				X	X				X		-	33526-1601	33516-1601	33506-1601
	33476-1851	33496-1807	LT.GRAY	F	33536-1601	X	X			X	X			X	X	X	-	33526-1601	33516-1601	33506-1702
	33476-1852	33496-1807	LT.GRAY	F	33536-1601					X							-	33526-1601	33516-1601	33506-1702
	33476-1853	33496-1807	LT.GRAY	F	33536-1601	X	X			X				X			-	33526-1601	33516-1601	33506-1702
	33476-1854	33496-1807	LT.GRAY	F	33536-1601					X				X			-	33526-1601	33516-1601	33506-1702
	33476-1855	33496-1807	LT.GRAY	F	33536-1601	X				X		X	X	X			-	33526-1601	33516-1601	33506-1702
R	33476-1856	33496-1807	LT.GRAY	F	33536-1601					X				X			-	33526-1601	33516-1601	33506-1702
	33476-1857	33496-1807	LT.GRAY	F	33536-1601					X		X	X				-	33526-1601	33516-1601	33506-1702
	33476-1858	33496-1807	LT.GRAY	F	33536-1601	X	X			X							-	33526-1601	33516-1601	33506-1702
	33476-1859	33496-1807	LT.GRAY	F	33536-1601						X						-	33526-1601	33516-1601	33506-1702
	33476-1860	33496-1807	LT.GRAY	F	33536-1601	X	X	X	X	X		X					-	33526-1601	33516-1601	33506-1702
O	33476-1861	33496-1801	BLACK	A	33536-1601	X	X	X				X	X		X		-	33526-1601	33516-1601	33506-1601
	33476-1862	33496-1806	BLACK	E	33536-1601	X									X		-	33526-1601	33516-1601	33506-1702
	33476-1875	33496-1806	BLACK	E	33536-1601							X	X		X		-	33526-1601	33516-1601	33506-1702
	33476-1876	33496-1806	BLACK	E	33536-1601				X	X	X	X			X		-	33526-1601	33516-1601	33506-1702
	33476-1877	33496-1806	BLACK	E	33536-1601									X	X		-	33526-1601	33516-1601	33506-1702
P	33476-1878	33496-1806	BLACK	E	33536-1601								X				-	33526-1601	33516-1601	33506-1702
	33476-1881	33496-1801	BLACK	A	33536-1601				X	X				X			-	33526-1601	33516-1601	33506-1601
	33476-1891	33496-1801	BLACK	A	33536-1601	X	X			X							-	33526-1601	33516-1601	33506-1601
	33476-1892	33496-1806	BLACK	E	33536-1601	X	X							X	X		-	33526-1601	33516-1601	33506-1702
	33476-1893	33496-1806	BLACK	E	33536-1601						X	X		X	X		-	33526-1601	33516-1601	33506-1702
O	33476-1894	33496-1807	LT.GRAY	F	33536-1601								X	X	X		-	33526-1601	33516-1601	33506-1702
	33476-1895	33496-1809	YELLOW	H	33536-1601												-	33526-1601	33516-1601	33506-1702
	33476-1896	33496-1809	YELLOW	H	33536-1601									X			-	33526-1601	33516-1601	33506-1702
	33476-1897	33496-1807	LT.GRAY	F	33536-1601				X	X	X	X	X	X	X		-	33526-1601	33516-1601	33506-1702
	33476-1898	33496-1807	LT.GRAY	F	33536-1601				X		X	X	X	X	X		-	33526-1601	33516-1601	33506-1702
	33476-1899	33496-1809	YELLOW	H	33536-1601				X	X	X	X		X			-	33526-1601	33516-1601	33506-1702
N	33476-1900	33496-1809	YELLOW	H	33536-1601				X		X	X		X			-	33526-1601	33516-1601	33506-1702
	33476-2201	33496-1806	BLACK	E	33536-1601												-	33526-1601	33516-1601	33506-1702
	33476-2202	33496-1807	LT.GRAY	F	33536-1601	X	X			X	X			X	X	X	-	33526-1601	33516-1601	33506-1702
	33476-2203	33496-1807	LT.GRAY	F	33536-1601					X							-	33526-1601	33516-1601	33506-1702
	33476-2204	33496-1807	LT.GRAY	F	33536-1601	X	X			X				X			-	33526-1601	33516-1601	33506-1702
M	33476-2205	33496-1807	LT.GRAY	F	33536-1601					X				X			-	33526-1601	33516-1601	33506-1702
	33476-2206	33496-1807	LT.GRAY	F	33536-1601	X				X		X	X				-	33526-1601	33516-1601	33506-1702
	33476-2207	33496-1807	LT.GRAY	F	33536-1601					X				X			-	33526-1601	33516-1601	33506-1702
	33476-2208	33496-1807	LT.GRAY	F	33536-1601					X		X	X				-	33526-1601	33516-1601	33506-1702
	33476-2209	33496-1807	LT.GRAY	F	33536-1601	X	X			X		X					-	33526-1601	33516-1601	33506-1702
L	33476-2210	33496-1807	LT.GRAY	F	33536-1601						X						-	33526-1601	33516-1601	33506-1702
	33476-2211	33496-1807	LT.GRAY	F	33536-1601	X	X	X	X	X							-	33526-1601	33516-1601	33506-1702

EC NO: UAU2005-0053 DRWN: D.GRIFFITHS 08-11-04 CHK: D.GRIFFITHS 08-11-04 APPR: D.GRIFFITHS 08-11-04	QUALITY SYMBOLS	GENERAL TOLERANCES (UNLESS SPECIFIED)	SCALE 2.000	DESIGN UNITS mm	THIRD ANGLE PROJECTION	REVISE ON CAD ONLY
	-0 -0	mm	INCH	DIMENSION STYLE mm		TITLE 1.5mm/2.8mm HYBRID CONNECTOR, RCPT 2 ROW HOUSING w/ CLIP SLOT SEALED, 16 WAY
		4 PLACES ± .005	± .005	DRAWN BY D.GRIFFITHS	DATE 05-21-03	MATERIAL NO. -
3 PLACES ± .005		± .005	CHECKED BY D.GRIFFITHS	DATE 05-21-03	SHEET NO. 2 OF 2	
2 PLACES ± 0.10	± .005	APPROVED BY D.GRIFFITHS	DATE 05-21-03	THIS DRAWING CONTAINS INFORMATION THAT IS PROPRIETARY TO MOLEX INCORPORATED AND SHOULD NOT BE USED WITHOUT WRITTEN PERMISSION		E
1 PLACE ± 0.3	± .005	ANGULAR ± 3°				

TABLE OF CONTENTS	
SHEET NO.	SHEET DESCRIPTION
1	NOTES AND BOM
2	CONFIGURATIONS
3	KEY CONFIGURATIONS
4	BLADE SEALED ASSEMBLY
5	SYSTEM PACKAGING

NOTES: VALID UNLESS OTHERWISE SPECIFIED

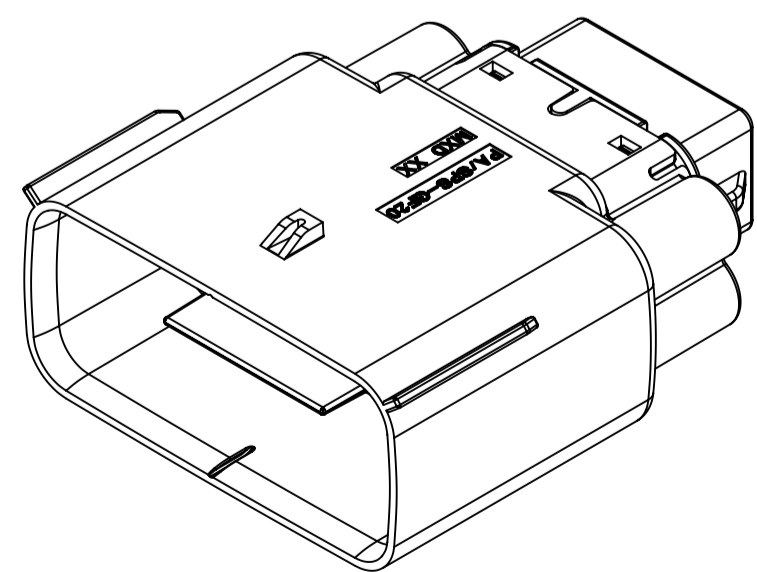
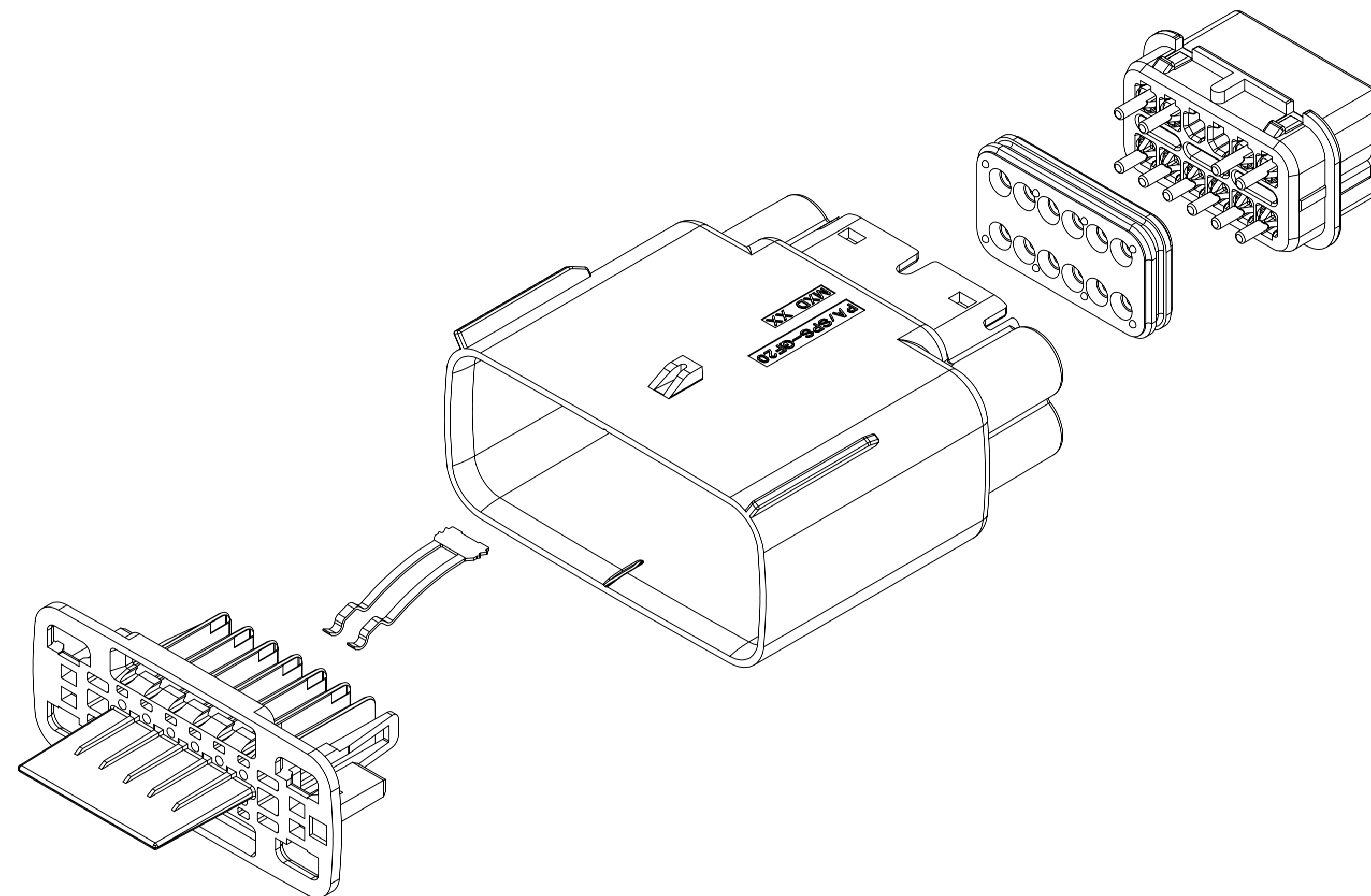
1. GENERAL:
  - a. APPLICATION SPECIFICATION SEE: AS-33472-100
    - CONTAINS: PRODUCT INTRODUCTION, PRODUCT SUMMARY, CONNECTOR ASSEMBLY, PACKAGING INFORMATION, CONNECTOR MATING, SERVICE INSTRUCTIONS, ELECTRICAL CONTINUITY CHECKING, CRIMPING, AND TROUBLESHOOTING.
    - DESIGNED TO MATE WITH RECEPTACLE SEALED ASSEMBLY AS SPECIFIED IN SD-34985-8001, SD-33476-161, OR SD-33476-181.
    - FOR SHORTING BAR APPLICATIONS RECEPTACLE SEALED ASSEMBLY CONFIGURATION MUST CONTAIN A PLR WITH SHORTING BAR LIFTER.
    - FOR 1.5mm BLADE TERMINALS TO BE USED WITH THE SHORTING BAR CIRCUIT LOCATIONS SEE MOLEX DRAWING SD-31296-001.
    - SHORTING BAR TERMINALS TO BE USED WITH WIRE DIAMETER RANGE OF 1.7mm TO 2.06mm.
    - SHORTING BAR TERMINAL CRIMP ANGLE MUST BE BETWEEN -1.4 DEG. AND +3.5 DEG. AFTER INSTALLATION INTO THE CONNECTOR ASSEMBLY. REFER TO MOLEX DRAWING SD-31296-001 FOR DETAILS.
    - FOR 1.5mm BLADE TERMINALS TO BE USED WITH THE NON-SHORTING BAR CIRCUIT LOCATIONS SEE MOLEX DRAWING SD-33000-001.
    - NON-SHORTING BAR TERMINALS TO BE USED WITH WIRE WITHIN DIAMETER RANGE OF 1.2mm TO 2.69mm.
    - FOR 2.8mm TERMINALS TO BE USED WITH THIS ASSEMBLY SEE TABLE.
    - 2.8mm TERMINALS TO BE USED WITH WIRE WITHIN DIAMETER RANGE OF 1.50mm TO 3.30mm.
    - ASSEMBLY SHIPPED WITH PLR IN PRE-LOCK POSITION (SEE PLR PRE-LOCK VIEW SHEET 4).
    - ASSEMBLY CONFORMS TO SAE-USCAR-2 REV.4 WITH THE FOLLOWING EXCEPTIONS:
      - TERMINAL INSERTION FORCE FOR WIRE DIAMETER ABOVE 2.5mm NOT EXCEEDING 2.69mm SHALL NOT EXCEED 45 NEWTONS.
      - PLR REMOVAL FROM FINAL-LOCK TO PRE-LOCK SHALL NOT EXCEED 75 NEWTONS.
  - b. PRODUCT SPECIFICATION SEE: PS-33476-000
    - CONTAINS: PRODUCT INTRODUCTION, PRODUCT SUMMARY, RATINGS (CURRENT, TEMPERATURE, SEALING, AND FLAMMABILITY), TERMINALS, WIRE DIAMETER RANGE, PRODUCT VALIDATION, AND PRODUCT DEVIATIONS.
  - c. PACKAGING SPECIFICATION PER MOLEX DRAWING: PK-31300-514
  - d. PARTS MUST BE IN COMPLIANCE TO MOLEX CHEMICAL SUBSTANCES FOR PRODUCTS AND PACKAGING SPECIFICATION: QEHS-699000-300
  - e. DATA MUST BE SUBMITTED UNDER THE MOLEX PART NUMBER TO IMDS (COMPANY ID#13255)

2. DESIGN - MATERIALS:

- a. SEE BOM TABLE IN SD-34986-8002

3. DESIGN - GEOMETRY:

- a. THE 3-D CAD DATA IS BASIC (WITHOUT TOLERANCE) AND MASTER FOR THIS PART WITH THE EXCEPTION OF UNDERLINED DIMENSIONS. DIMENSIONAL INFORMATION NOT SHOWN ON THIS DRAWING IS DEFINED BY THE DATA FILE AT ITS LATEST REVISION.
  - b. GEOMETRIC DIMENSIONS AND TOLERANCES PER ASME Y14.5M-2009
  - c. EDGES AND UNDIMENSIONED DETAILS PER ISO13715
  - d. CORNERS SHOWN AS SHARP TO BE R 0.2 MAX.
  - e. LETTERING SHALL BE 0.15 MAX RAISED IN 0.25 MAX RECESS PAD. THIS INCLUDES RECYCLING CODE, CAVITY ID, VENDOR IDENTIFICATION, AND CUSTOMER MATERIAL NUMBER.
  - f. VISUAL DEFECTS SHALL MEET COSMETIC STANDARD PS-45499-002 (Class B).
  - g. LASER MARKING:
    1. PART NUMBER
    2. DAY OF THE YEAR
    3. SHIFT
    4. YEAR
- FOR ADDITIONAL INFORMATION SEE SECTION 5 UNDER PROCEDURES IN ES-34735-008.



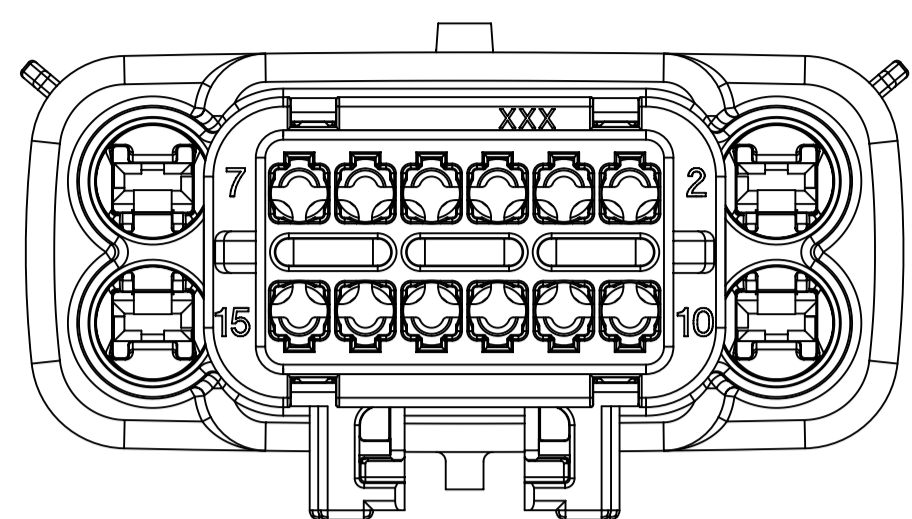
TYCO 2.8mm CABLE SEAL TERMINAL	
FORD P/N MALE BLADE	GRIP SIZE
3F2T-14421-GA	12
IFIT-14421-JA	14
IFIT-14421-HA	16
IFIT-14421-GA	18
IFIT-14421-FA	20
IFIT-14421-EA	22

INSPECTION NUMBER LOG	
REV	REV DESCRIPTION
C1	1. UPDATED THE VIEWS IN SHEET 2 2. CHANGED THE DIM 15.00+/-0.10 TO 15.00+0.30/-0.20 IN SHEET 4
C	REDRAWN MOVED BOM TO SD-34986-8002

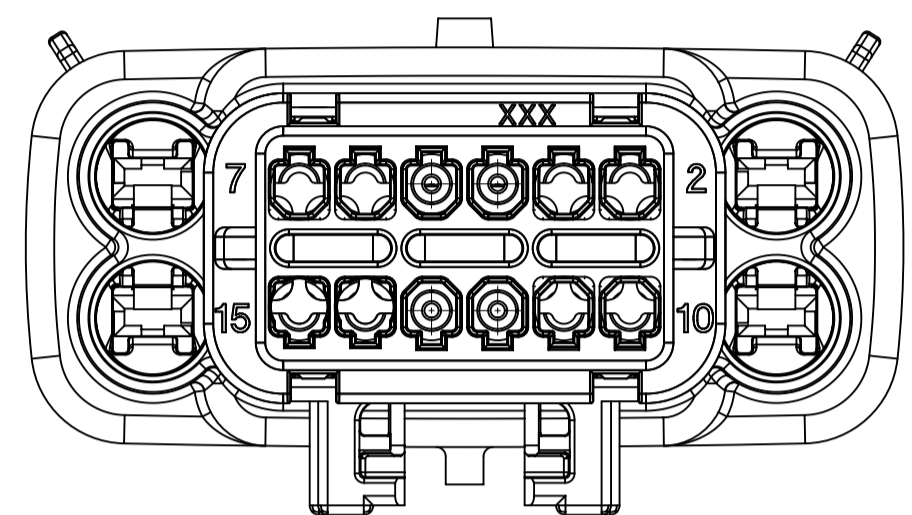
SYMBOLS		THIS DRAWING CONTAINS INFORMATION THAT IS PROPRIETARY TO MOLEX ELECTRONIC TECHNOLOGIES, LLC AND SHOULD NOT BE USED WITHOUT WRITTEN PERMISSION	
DIMENSION UNITS	SCALE	CURRENT REV DESC:	
= 0	<b>mm</b>	1.5:1	
= 0	GENERAL TOLERANCES (UNLESS SPECIFIED)		
= 0	ANGULAR TOL	± 3.0°	
= 0	4 PLACES	±	
= 0	3 PLACES	±	
= 0	2 PLACES	± 0.1	
= 0	1 PLACE	± 0.3	
= 0	0 PLACES	±	
= 0	DRAFT WHERE APPLICABLE MUST REMAIN WITHIN DIMENSIONS		
THIRD ANGLE PROJECTION		DRAWING	SERIES
		A1-SIZE	34986
EC NO: 177763		DRWN: LSONG05	2018/05/30
CHK'D: MVANSLAMBROU		2018/06/12	
APPR: MVANSLAMBROU		2018/06/12	
INITIAL REVISION:		DRWN: APROFFITT	2013/05/06
		APPR: VKOSHY	2013/05/16
DOCUMENT NUMBER		DOC TYPE	DOC PART
SD-34986-8001		PSD	001
MATERIAL NUMBER		CUSTOMER	SHEET NUMBER
		GENERAL MARKET	1 OF 5

# SHEET DESCRIPTION

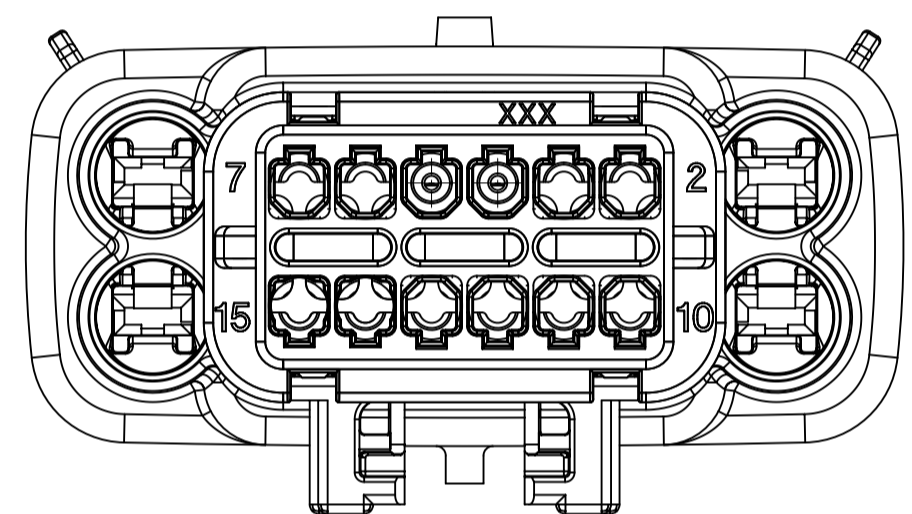
## CONFIGURATIONS



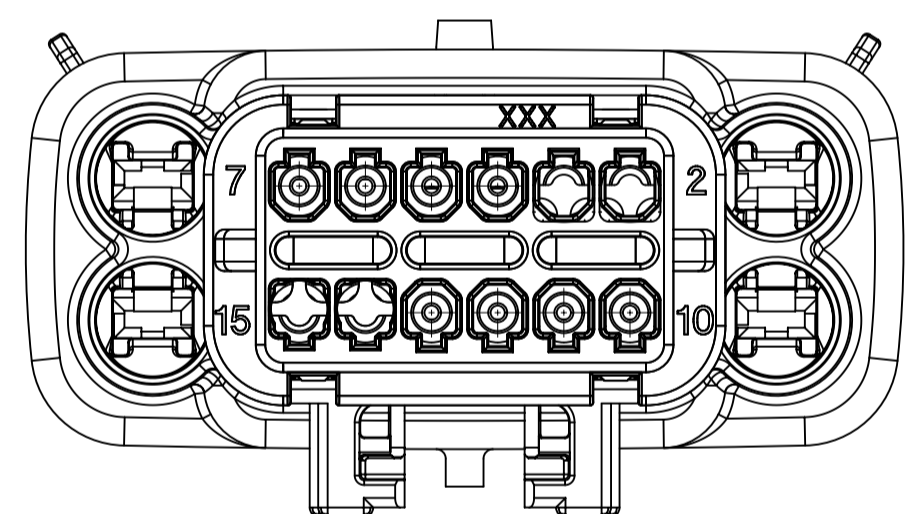
STANDARD GROMMET CAP



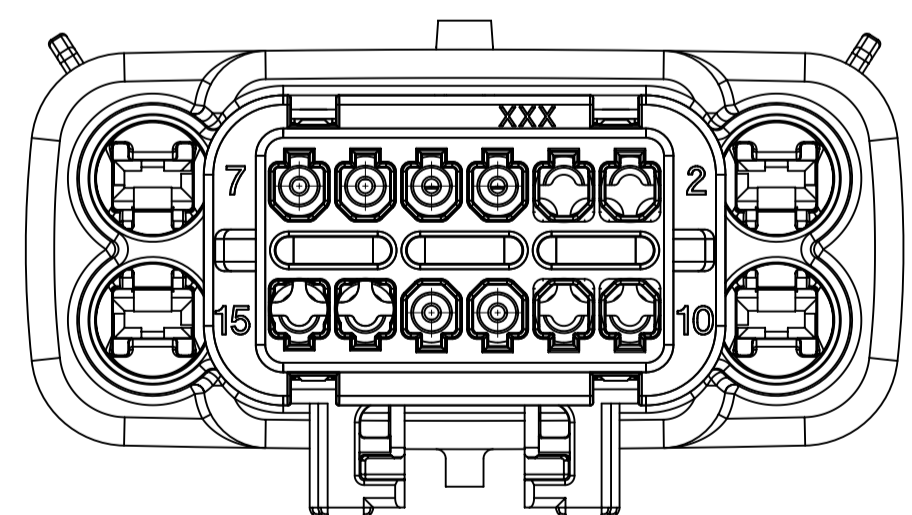
SHORTING BAR GROMMET CAP 1



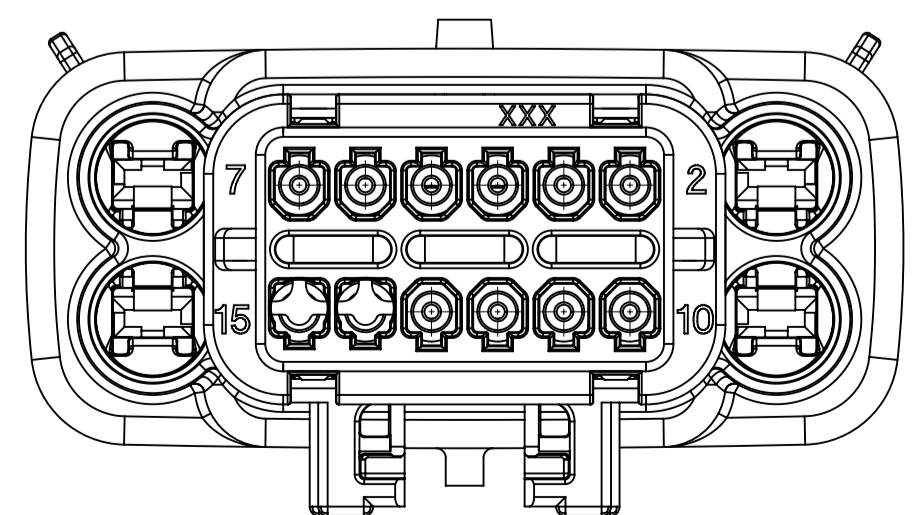
SHORTING BAR GROMMET CAP 2



SHORTING BAR GROMMET CAP 3



SHORTING BAR GROMMET CAP 4

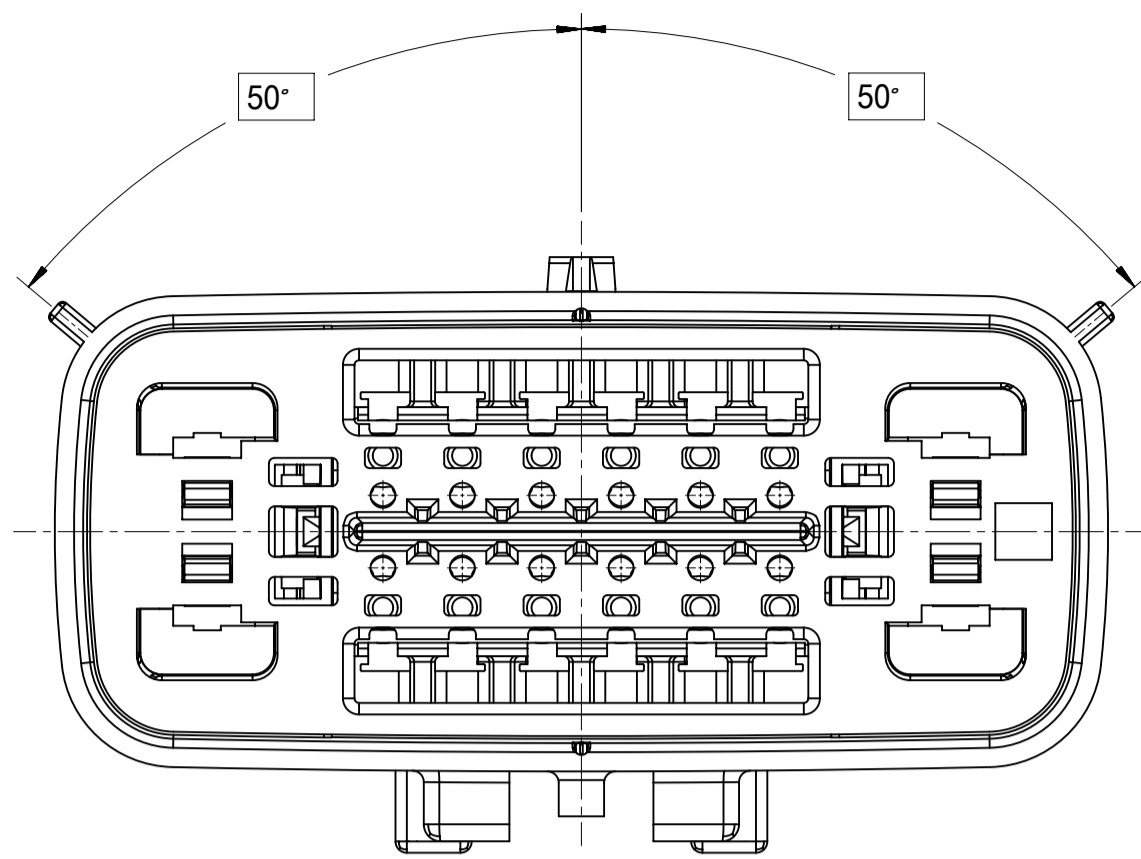


SHORTING BAR GROMMET CAP 5

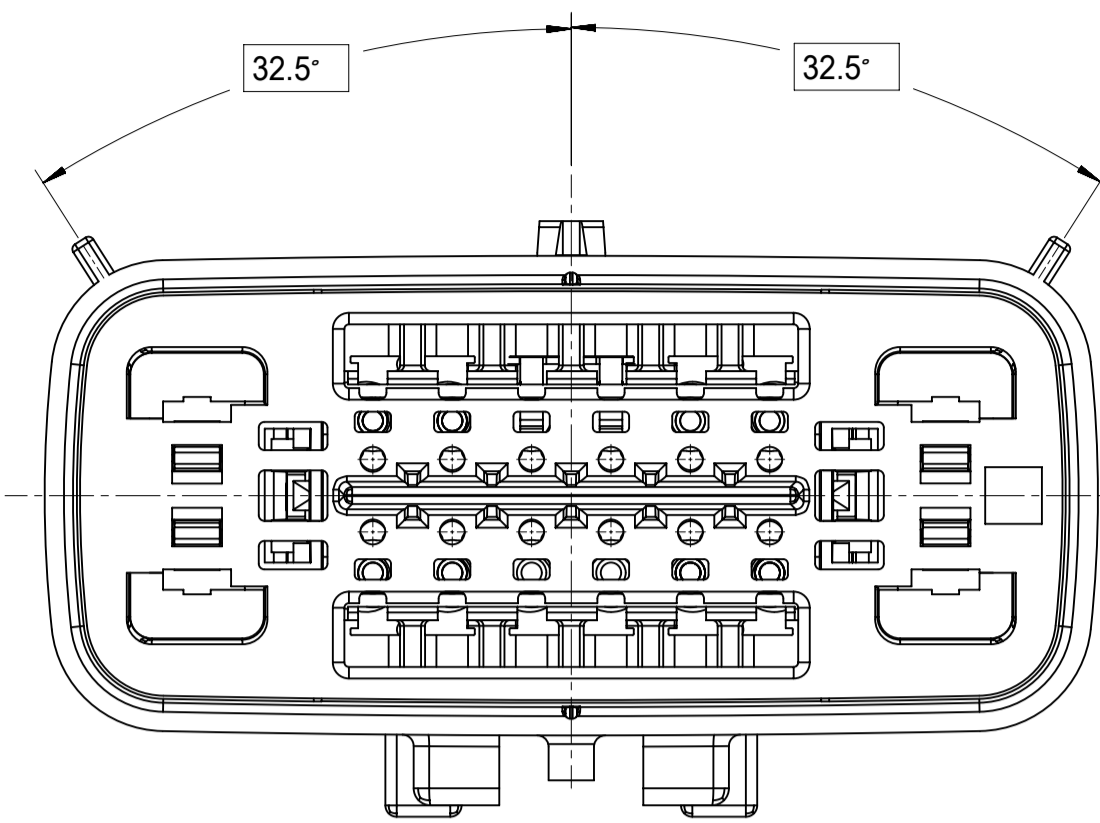
SYMBOLS	THIS DRAWING CONTAINS INFORMATION THAT IS PROPRIETARY TO MOLEX ELECTRONIC TECHNOLOGIES, LLC AND SHOULD NOT BE USED WITHOUT WRITTEN PERMISSION		CURRENT REV DESC:				
	DIMENSION UNITS	SCALE					
▽ = 0	mm	2.5:1	GENERAL TOLERANCES (UNLESS SPECIFIED)		CHK'D: MVANSLAMBROU	2018/06/12	PRODUCT CUSTOMER DRAWING
▽ = 0	ANGULAR TOL ± 3.0°		APPR: MVANSLAMBROU		2018/06/12	DOCUMENT NUMBER	
▽ = 0	4 PLACES ±		INITIAL REVISION:		DRWN: APROFFITT	2013/05/06	SD-34986-8001
▽ = 0	3 PLACES ±		APPR: VKOSHY		2013/05/16	DOC TYPE	
▽ = 0	2 PLACES ± 0.1		DRWN: APROFFITT		2013/05/06	DOC PART	PSD 001 C1
▽ = 0	1 PLACE ± 0.3		APPR: VKOSHY		2013/05/16	REVISION	
▽ = 0	0 PLACES ±		DRAFT WHERE APPLICABLE MUST REMAIN WITHIN DIMENSIONS		THIRD ANGLE PROJECTION	DRAWING	GENERAL MARKET
▽ = 0	0 PLACES ±		THIRD ANGLE PROJECTION		DRAWING	SERIES	
▽ = 0	0 PLACES ±		THIRD ANGLE PROJECTION		DRAWING	SERIES	2 OF 5

# SHEET DESCRIPTION

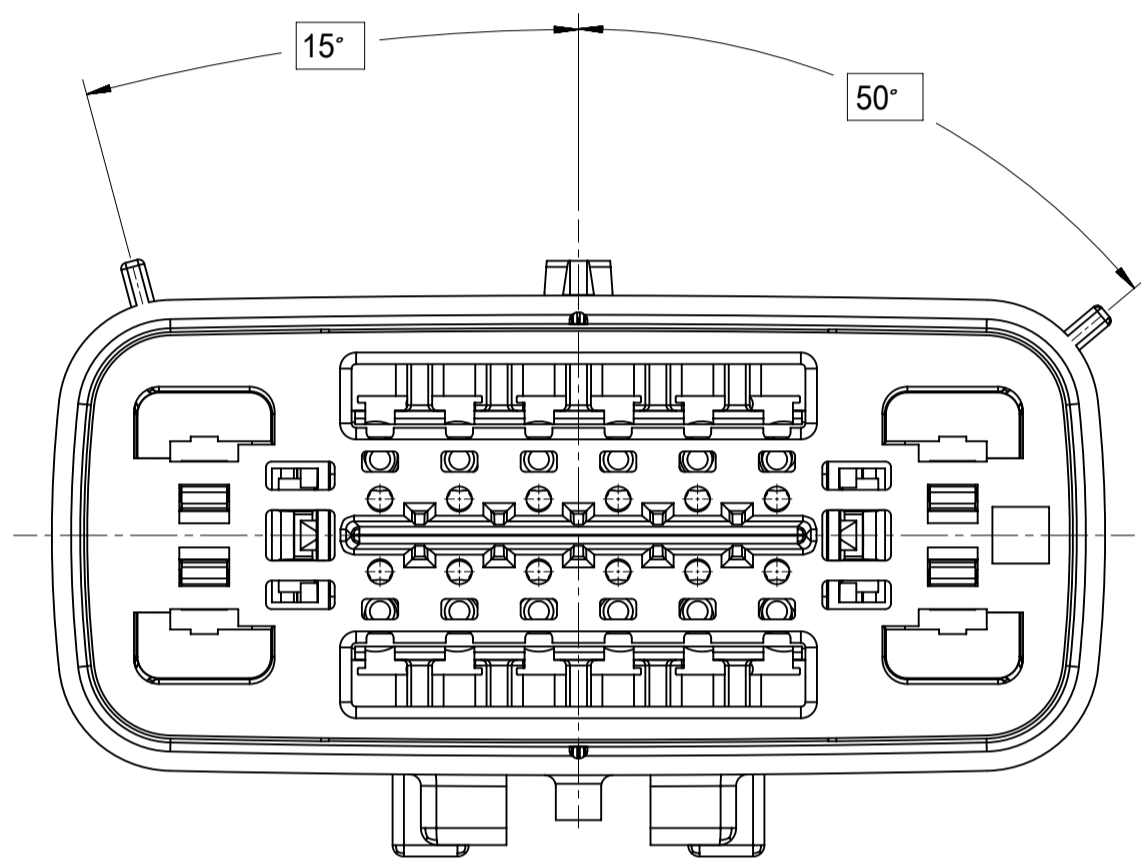
## KEY CONFIGURATIONS



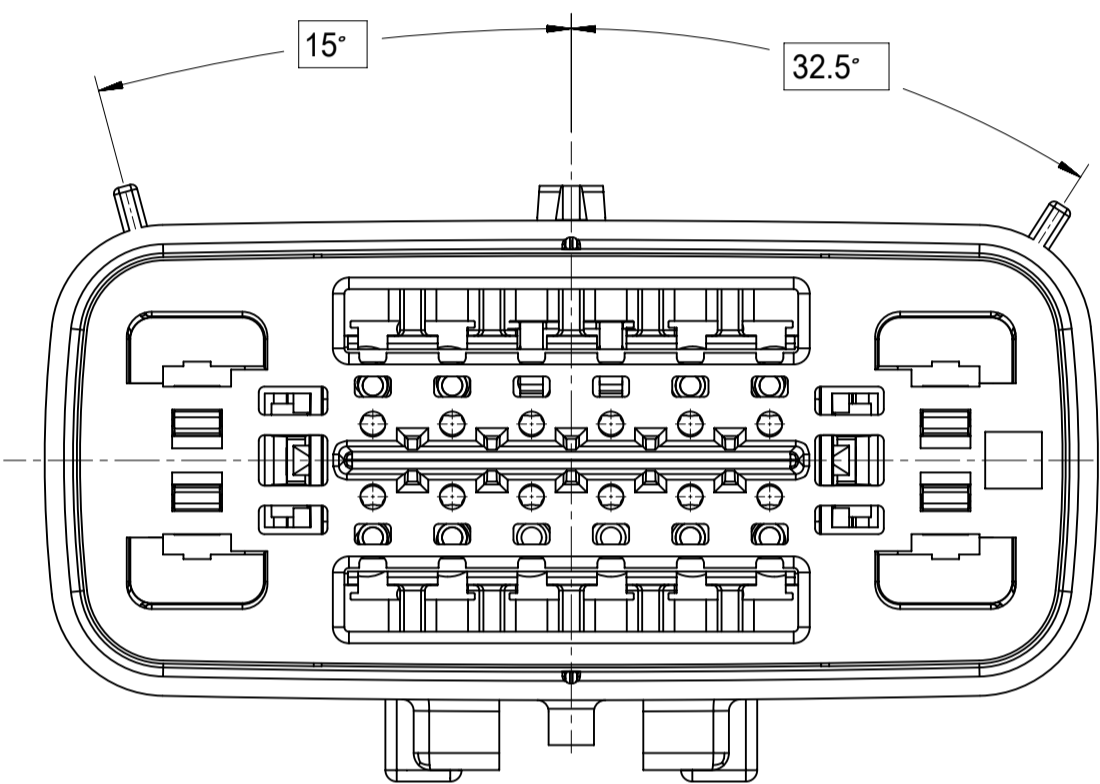
KEY A



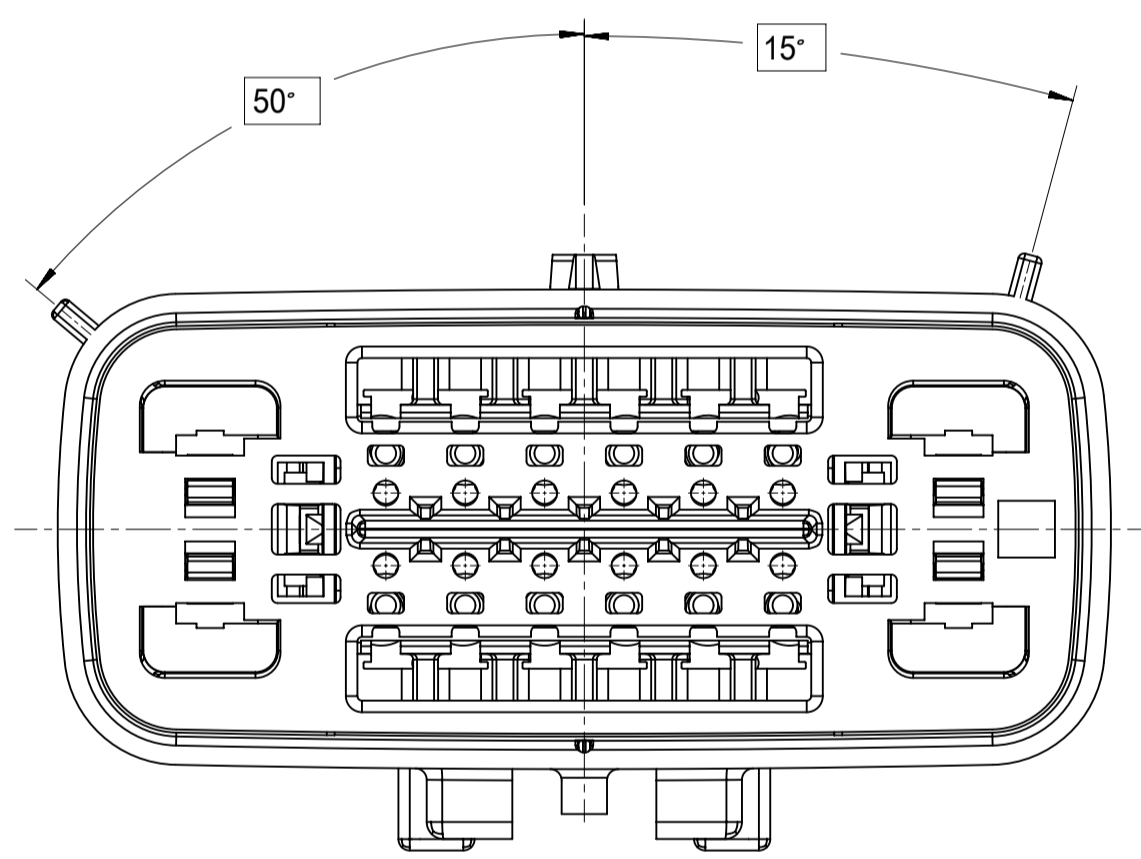
KEY E



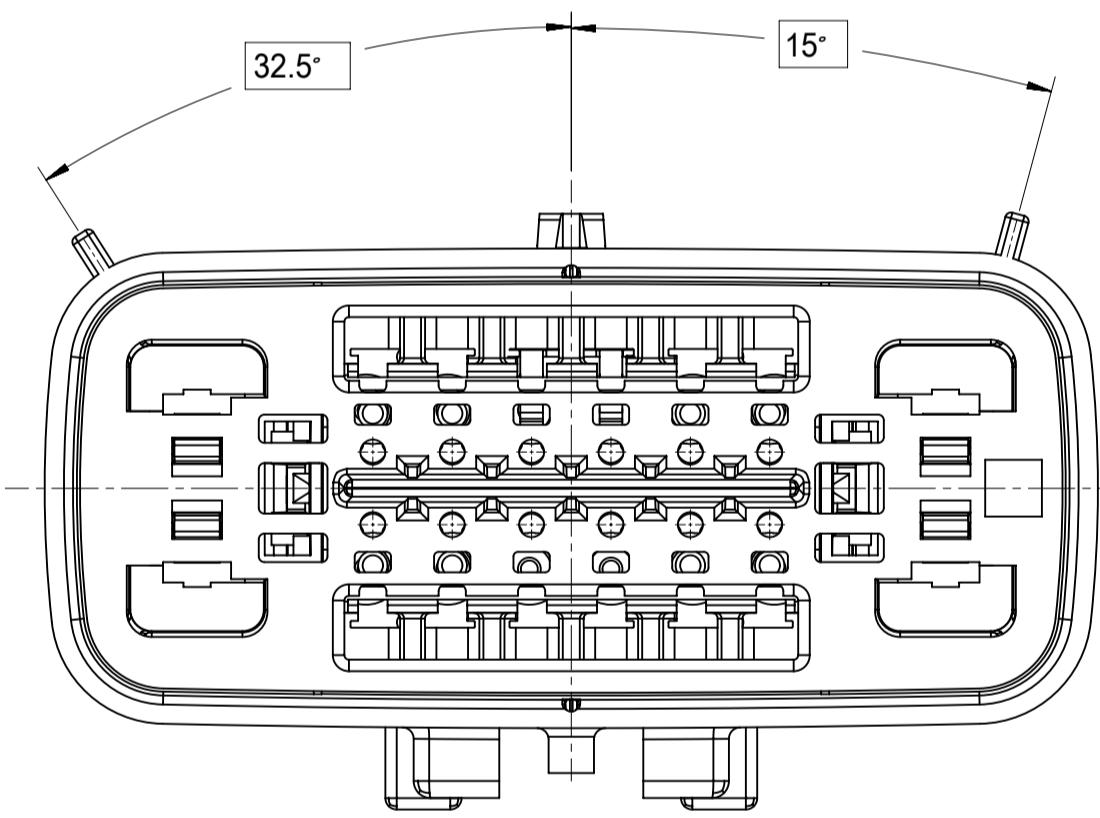
KEY B



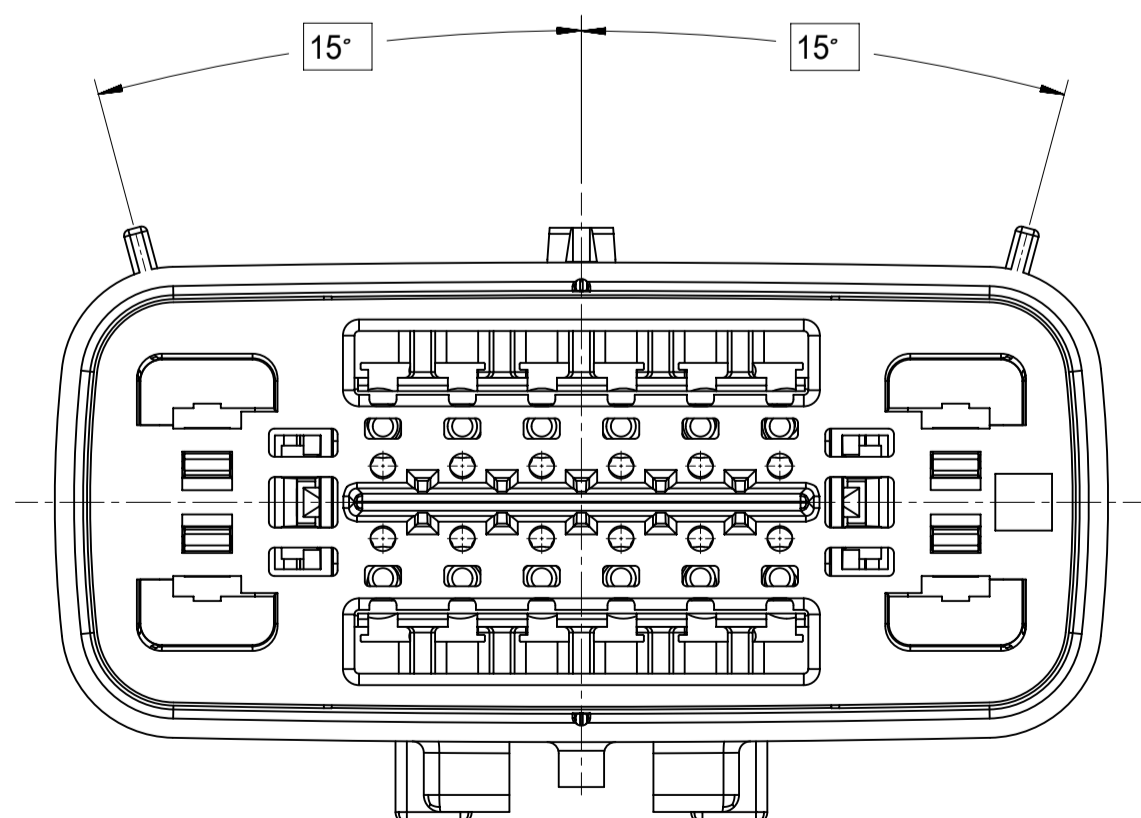
KEY F



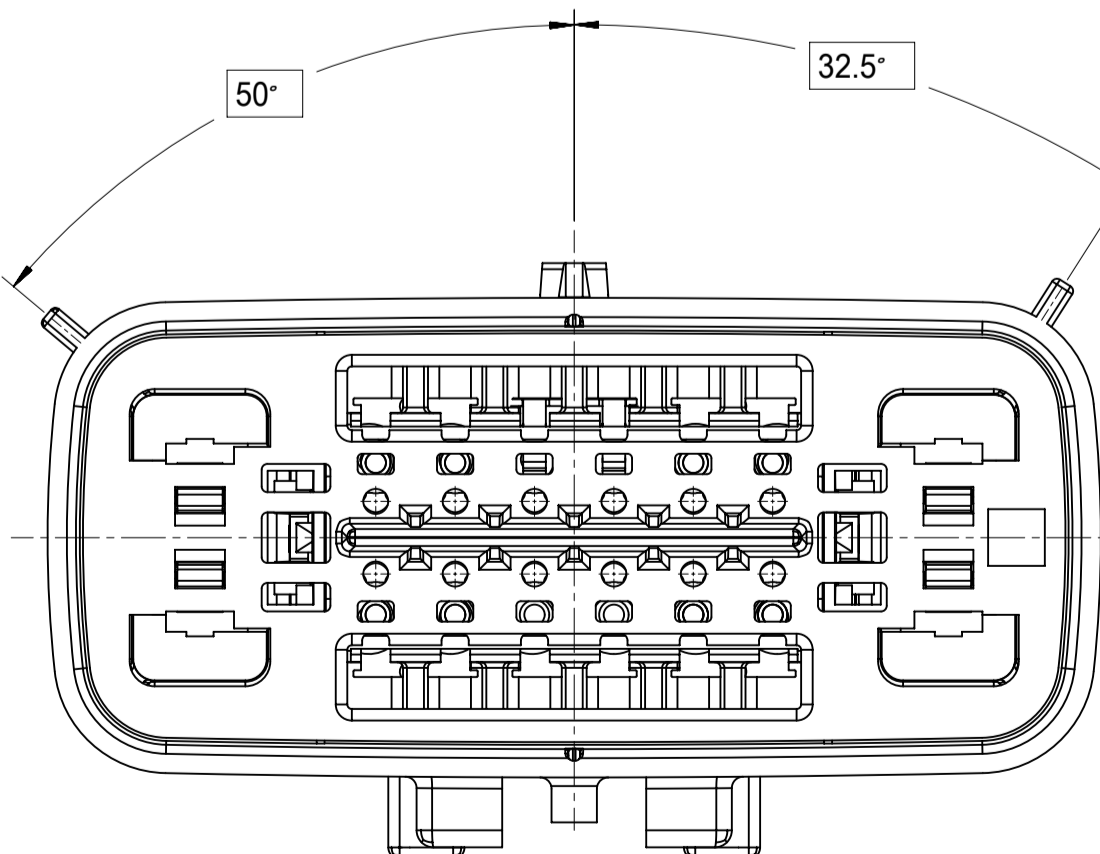
KEY C



KEY G



KEY D



KEY H

SYMBOLS	THIS DRAWING CONTAINS INFORMATION THAT IS PROPRIETARY TO MOLEX ELECTRONIC TECHNOLOGIES, LLC AND SHOULD NOT BE USED WITHOUT WRITTEN PERMISSION		CURRENT REV DESC:	
	DIMENSION UNITS	SCALE		
▽ = 0	mm	3:1		
▽ = 0	GENERAL TOLERANCES (UNLESS SPECIFIED)			
▽ = 0	ANGULAR TOL ± 3.0°			
▽ = 0	4 PLACES	±	EC NO: 177763	
▽ = 0	3 PLACES	±	DRWN: LSONG05 2018/05/30	
▽ = 0	2 PLACES	± 0.1	CHK'D: MVANSLAMBROU 2018/06/12	
▽ = 0	1 PLACE	± 0.3	APPR: MVANSLAMBROU 2018/06/12	
▽ = 0	0 PLACES	±	INITIAL REVISION:	
⊠ = 0	DRAFT WHERE APPLICABLE MUST REMAIN WITHIN DIMENSIONS		THIRD ANGLE PROJECTION	
▽ = 0			DRAWING	SERIES
		A1-SIZE		34986
DOCUMENT STATUS		P1		RELEASE DATE
2018/06/12		12:37:30		
DOCUMENT NUMBER			DOC TYPE	DOC PART
SD-34986-8001			PSD	001
MATERIAL NUMBER			CUSTOMER	SHEET NUMBER
GENERAL MARKET			3 OF 5	

**molex**

MX150 16 WAY HYBRID  
BLADE SEALED ASSEMBLY

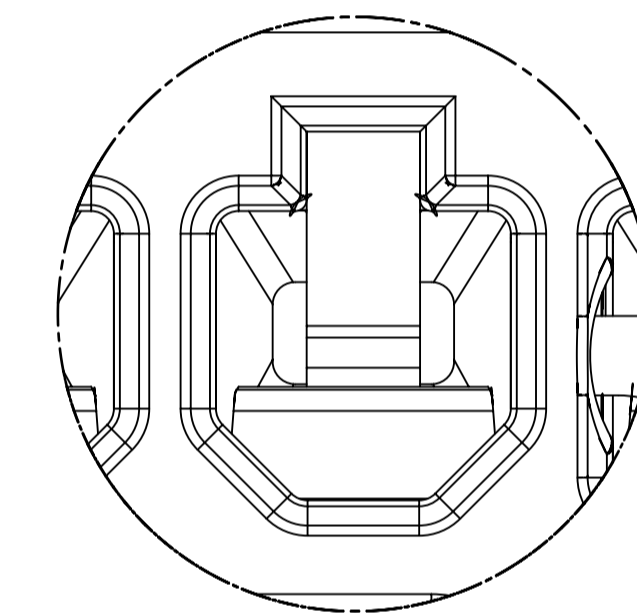
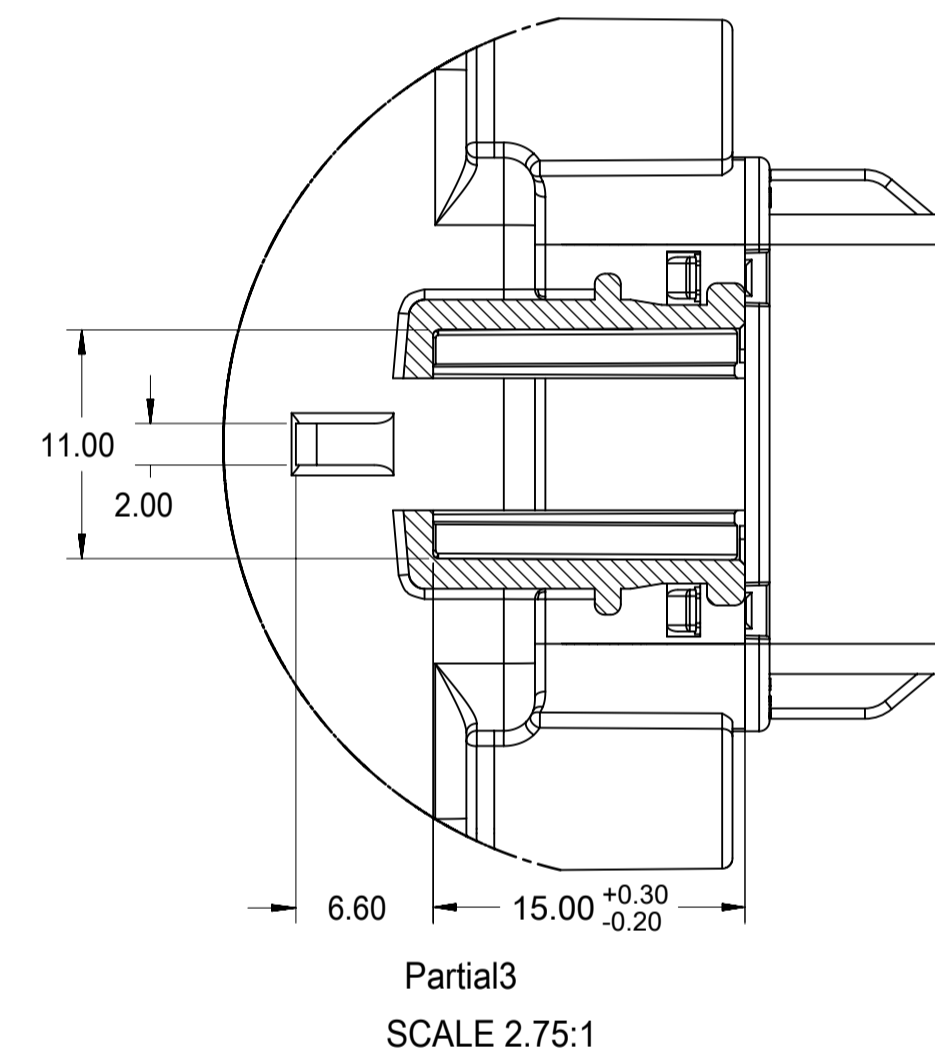
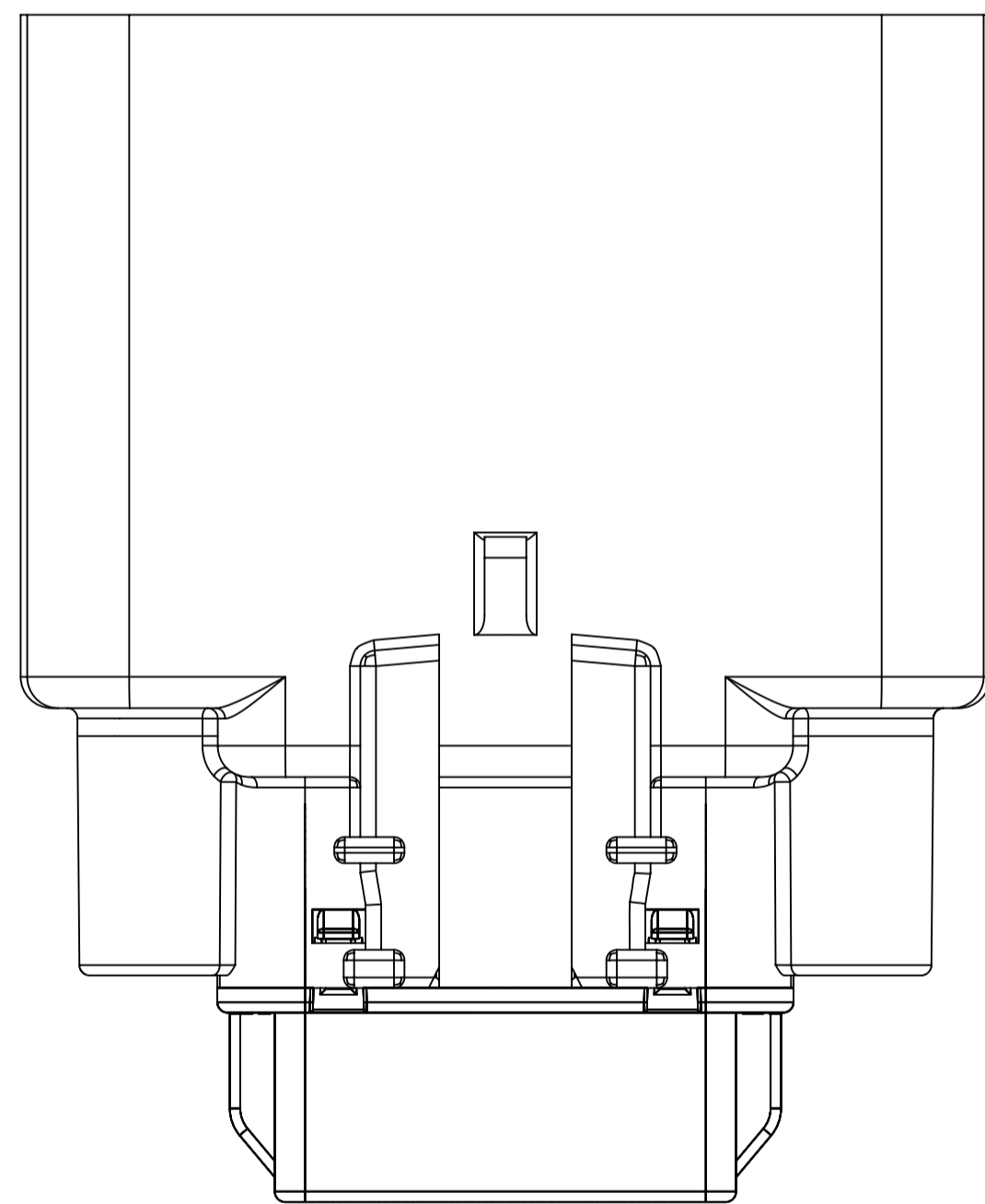
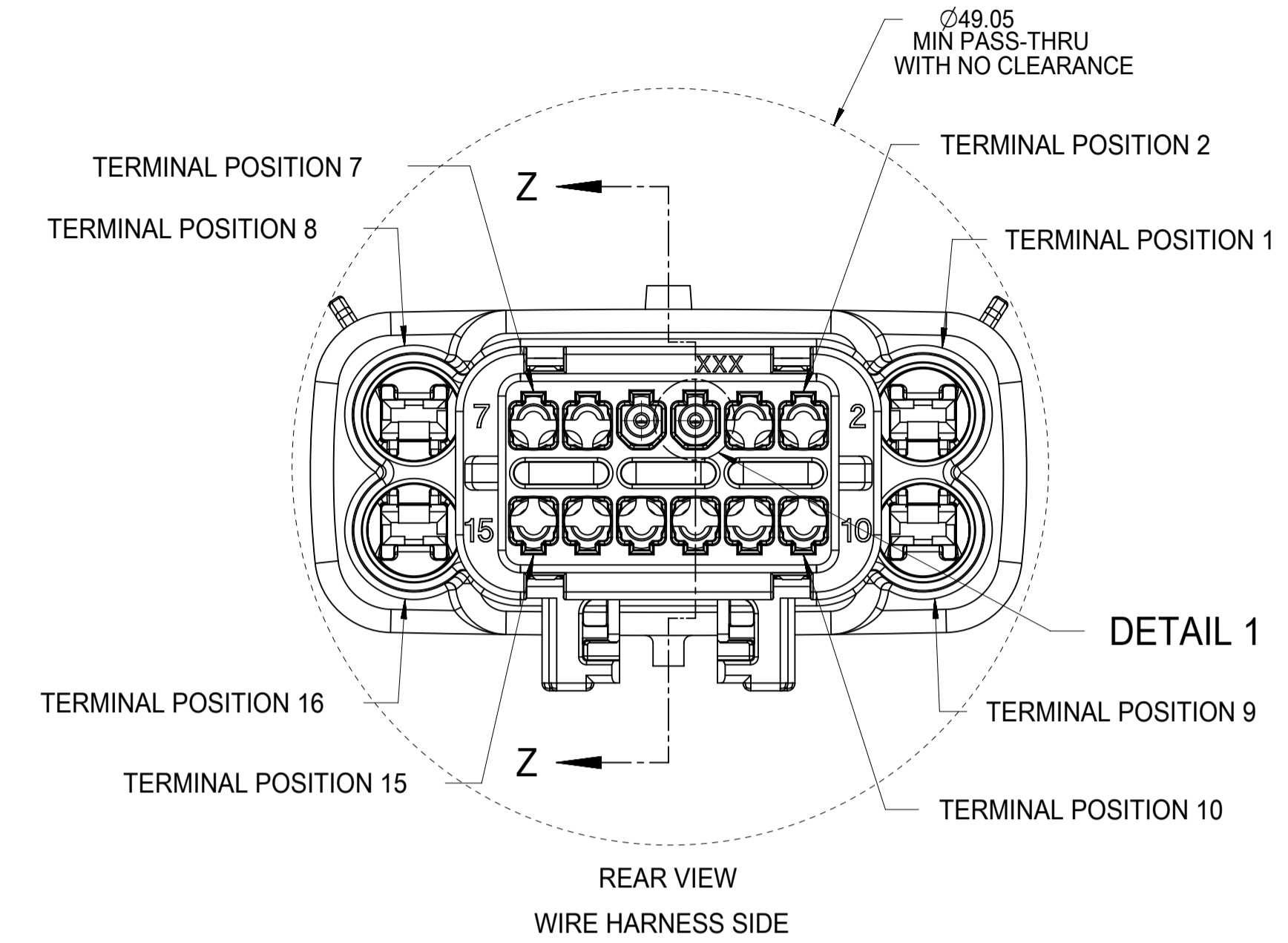
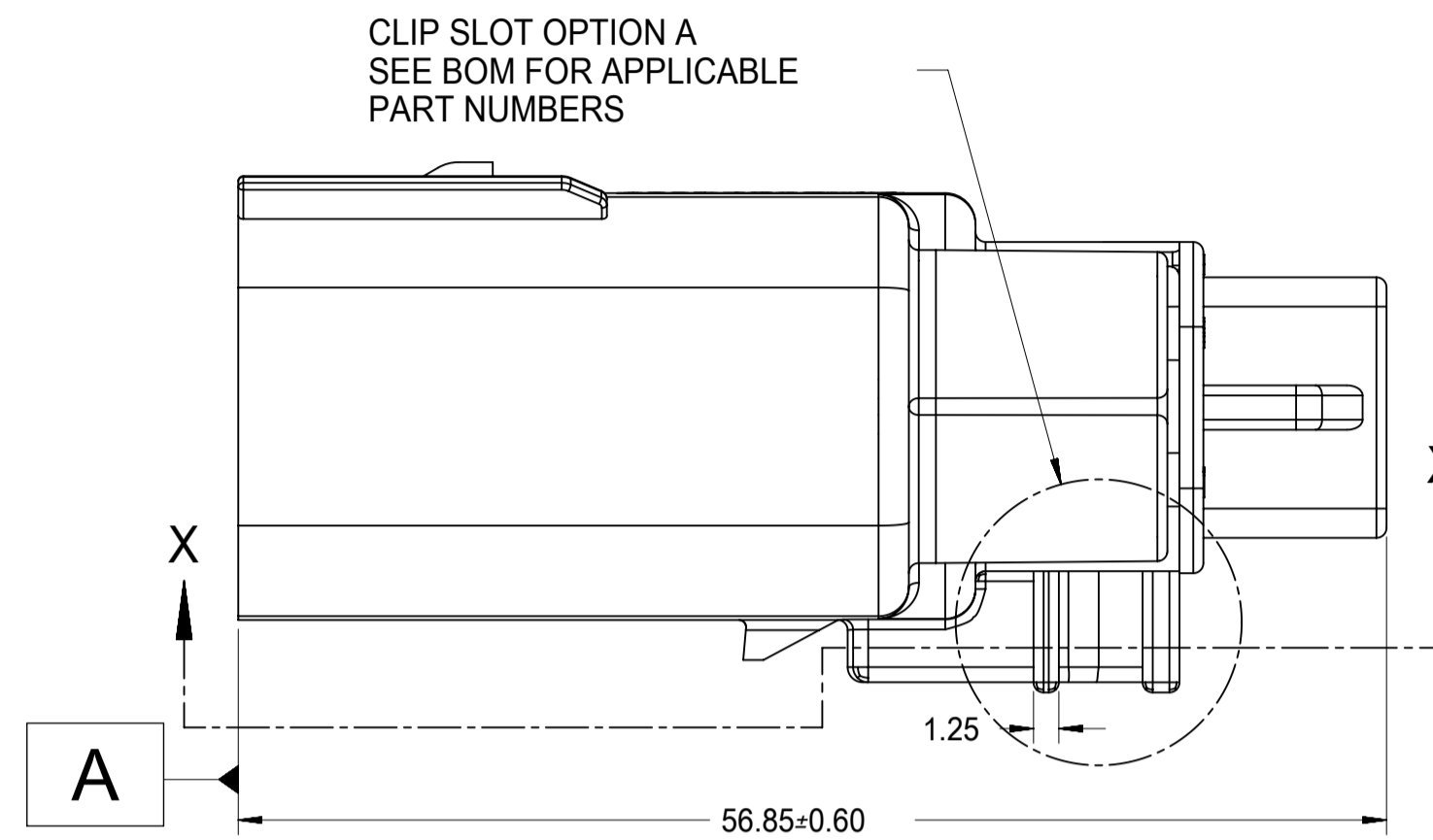
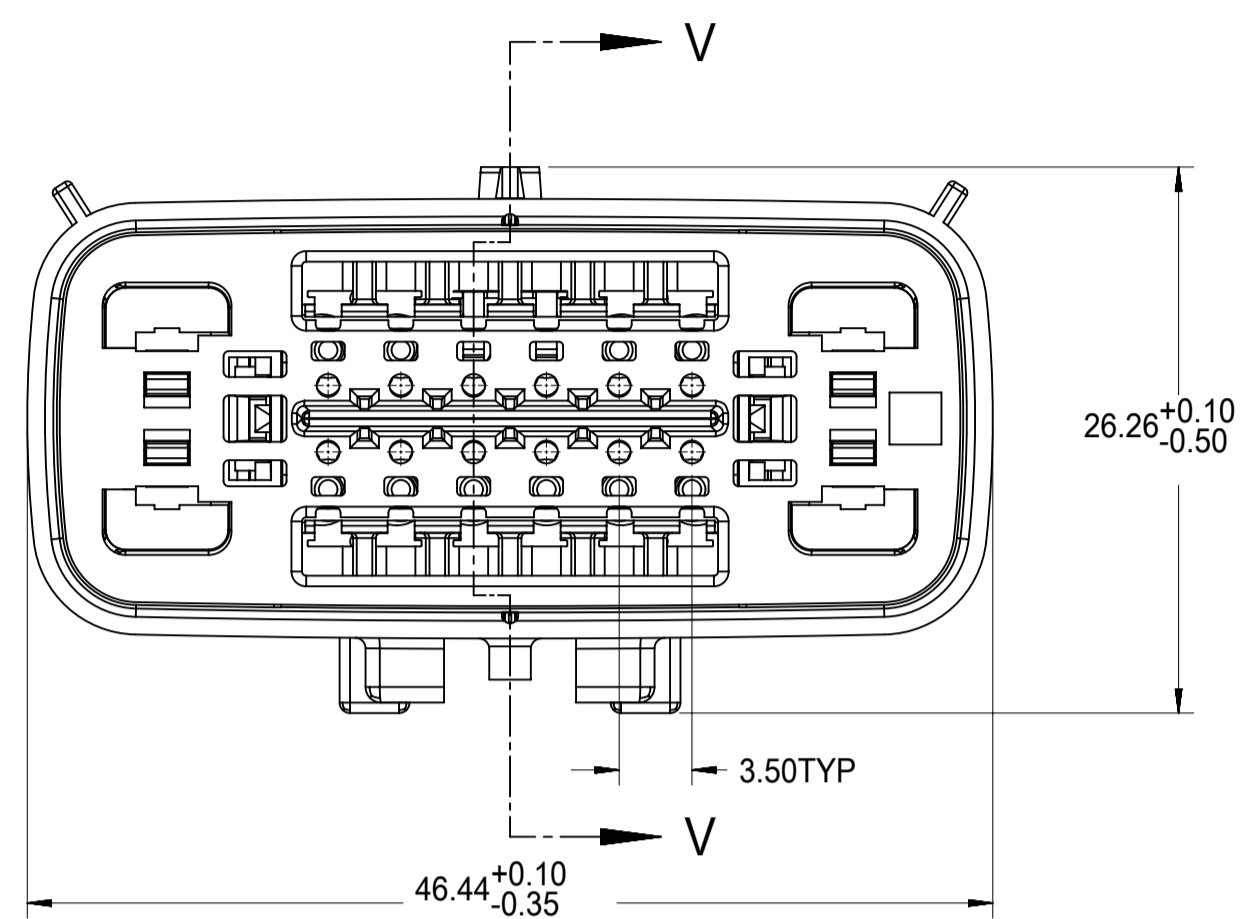
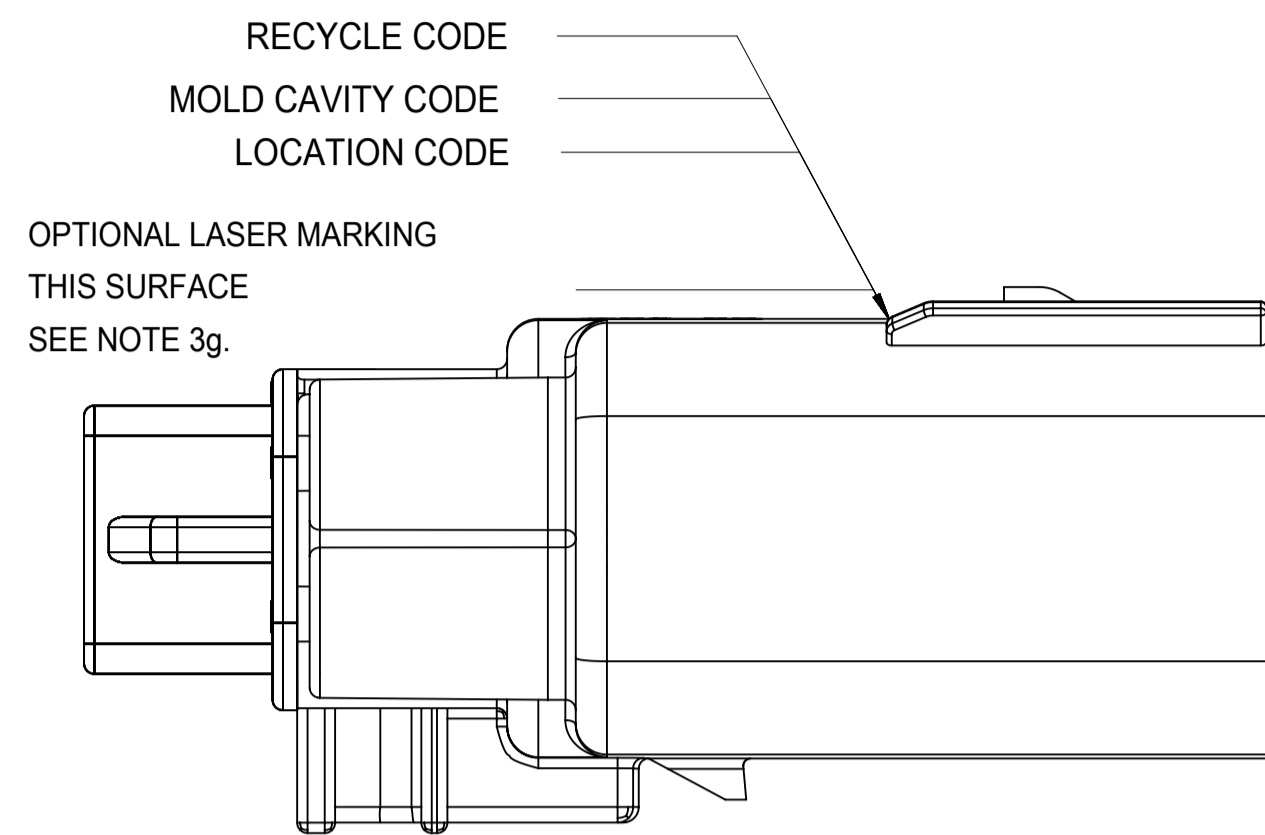
PRODUCT CUSTOMER DRAWING

SD-34986-8001 PSD 001 C1

GENERAL MARKET 3 OF 5

# SHEET DESCRIPTION

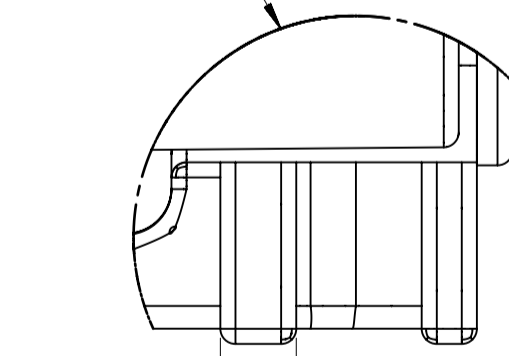
BLADE SEALED ASSEMBLY



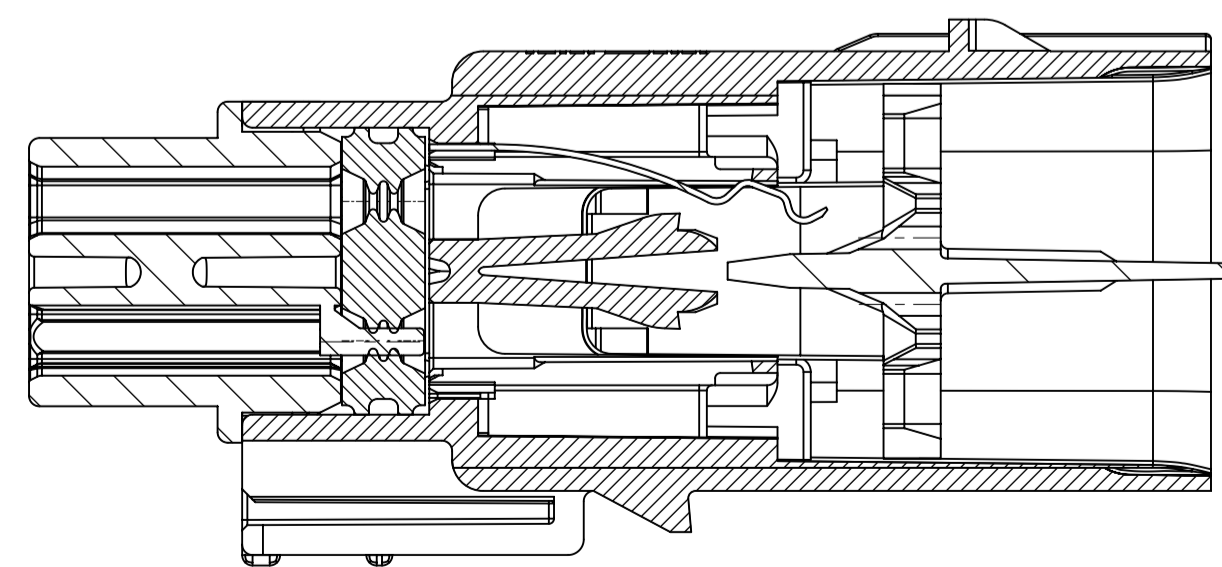
SHORTING BAR (SB) CIRCUITS ARE IDENTIFIED BY THE GROMMET CAP OPENING FEATURE SHOWN ABOVE.

DETAIL 1  
SCALE 15:1

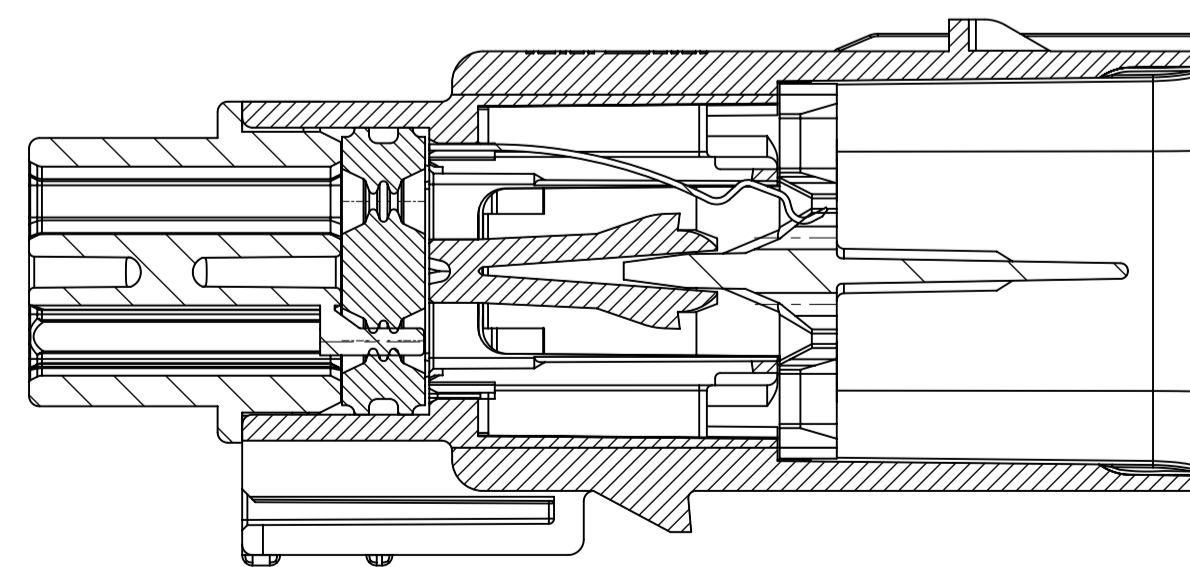
CLIP SLOT OPTION B  
SEE BOM FOR APPLICABLE  
PART NUMBERS



Partial1  
SCALE 4:1



PRIMARY LOCK REINFORCEMENT (PLR) SHOWN  
IN PRE-STAGED POSITION  
SECTION Z-Z



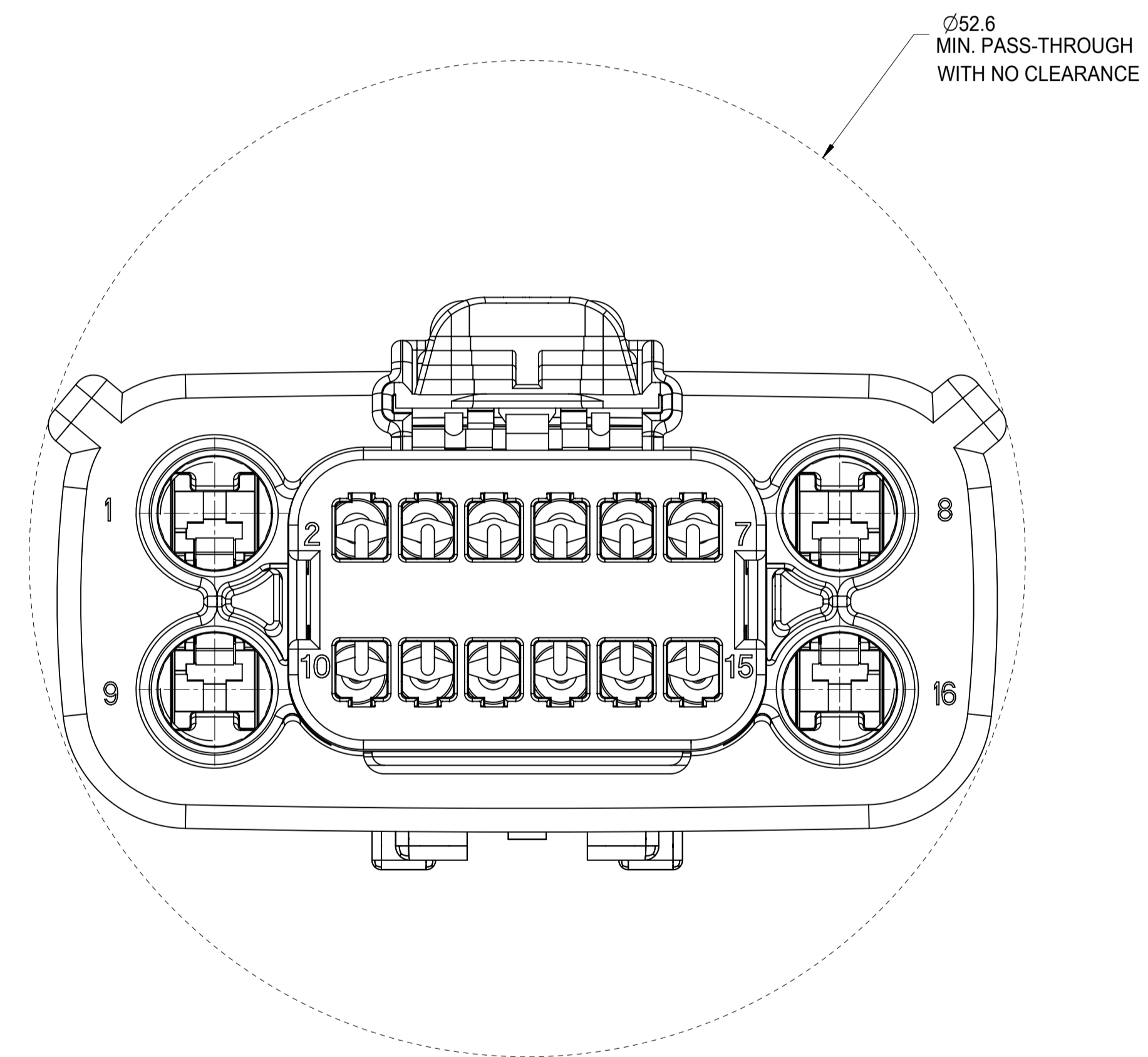
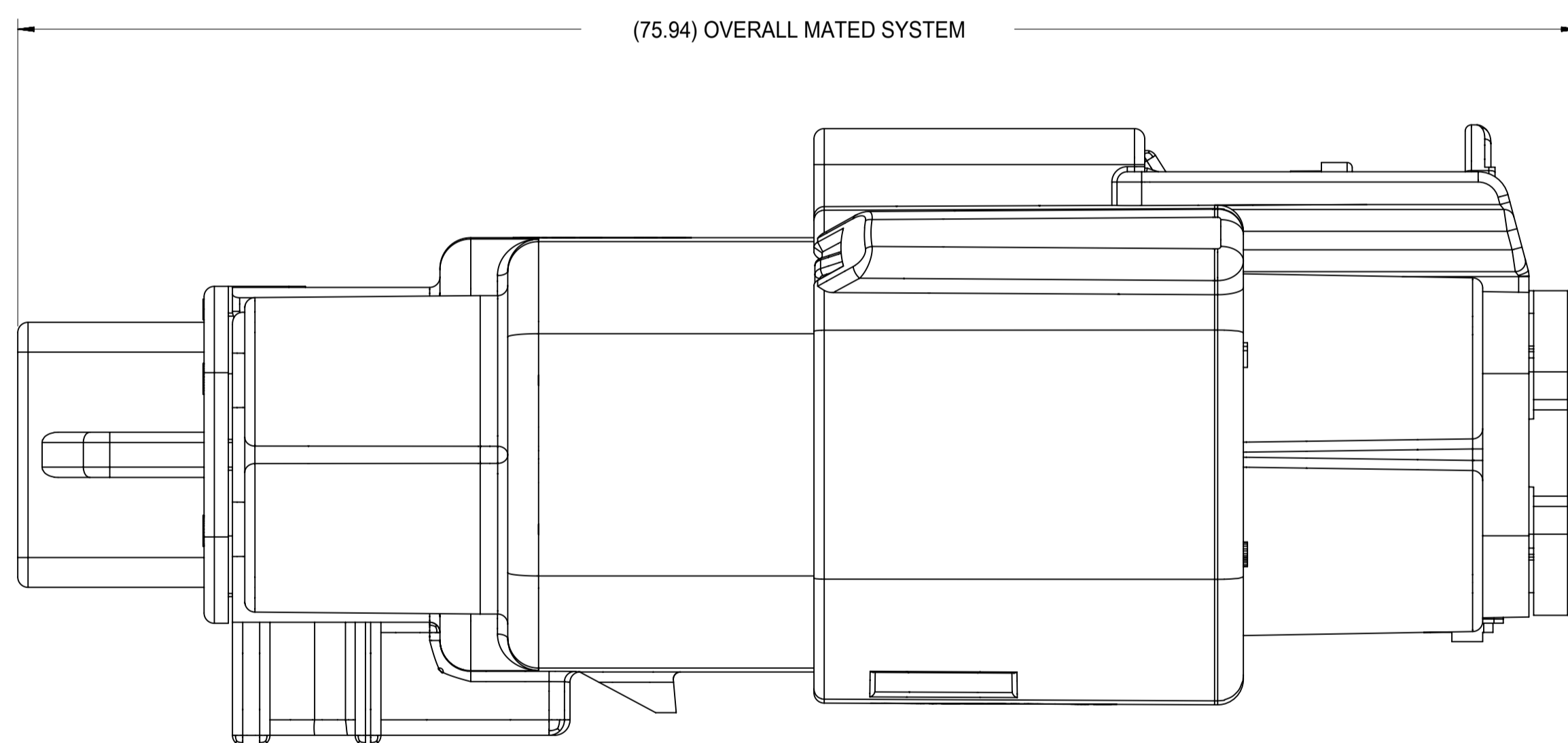
PRIMARY LOCK REINFORCEMENT (PLR) SHOWN  
IN FINAL-LOCK POSITION  
SECTION V-V

SYMBOLS		THIS DRAWING CONTAINS INFORMATION THAT IS PROPRIETARY TO MOLEX ELECTRONIC TECHNOLOGIES, LLC AND SHOULD NOT BE USED WITHOUT WRITTEN PERMISSION		CURRENT REV DESC:		molex			
DIMENSION UNITS	SCALE					MX150 16 WAY HYBRID BLADE SEALED ASSEMBLY			
▽ = 0	mm	3:1		EC NO: 177763		PRODUCT CUSTOMER DRAWING			
▽ = 0	GENERAL TOLERANCES (UNLESS SPECIFIED)		DRWN: LSONG05 2018/05/30		DOCUMENT NUMBER		DOC TYPE	DOC PART	REVISION
▽ = 0	ANGULAR TOL ± 3.0°		CHK'D: MVANSLAMBROU 2018/06/12		SD-34986-8001		PSD	001	C1
▽ = 0	4 PLACES ±		APPR: MVANSLAMBROU 2018/06/12		INITIAL REVISION:				
▽ = 0	3 PLACES ±		DRWN: APROFFITT 2013/05/06		DRWN: APROFFITT 2013/05/06				
▽ = 0	2 PLACES ± 0.1		APPR: VKOSHY 2013/05/16		APPR: VKOSHY 2013/05/16				
▽ = 0	1 PLACE ± 0.3		THIRD ANGLE PROJECTION		DRAWING				
▽ = 0	0 PLACES ±		DRAFT WHERE APPLICABLE MUST REMAIN WITHIN DIMENSIONS		SERIES				
▽ = 0			A1-SIZE		34986				
				GENERAL MARKET		SHEET NUMBER 4 OF 5			



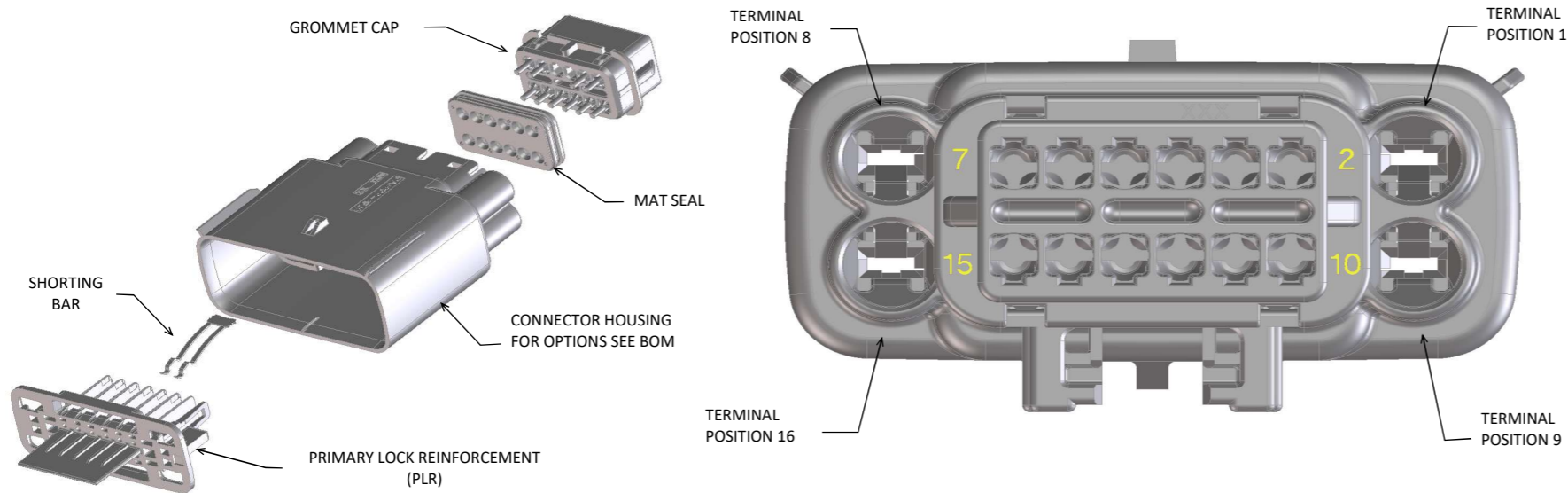
# SHEET DESCRIPTION

SYSTEM PACKAGING



SYMBOLS		THIS DRAWING CONTAINS INFORMATION THAT IS PROPRIETARY TO MOLEX ELECTRONIC TECHNOLOGIES, LLC AND SHOULD NOT BE USED WITHOUT WRITTEN PERMISSION		CURRENT REV DESC:		molex	
▽ = 0	DIMENSION UNITS	mm	SCALE	3:1		MX150 16 WAY HYBRID BLADE SEALED ASSEMBLY	
▽ = 0	GENERAL TOLERANCES (UNLESS SPECIFIED)		EC NO: 177763		PRODUCT CUSTOMER DRAWING		
▽ = 0	ANGULAR TOL ± 3.0°		DRWN: LSONG05 2018/05/30		DOCUMENT NUMBER		DOC TYPE   DOC PART   REVISION
▽ = 0	4 PLACES ±	CHK'D: MVANSLAMBROU 2018/06/12		SD-34986-8001		PSD	001
▽ = 0	3 PLACES ±	APPR: MVANSLAMBROU 2018/06/12		INITIAL REVISION:			
▽ = 0	2 PLACES ± 0.1	DRWN: APROFFITT 2013/05/06		DRWN: APROFFITT 2013/05/06			
▽ = 0	1 PLACE ± 0.3	APPR: VKOSHY 2013/05/16		APPR: VKOSHY 2013/05/16			
▽ = 0	0 PLACES ±	DRAFT WHERE APPLICABLE MUST REMAIN WITHIN DIMENSIONS		THIRD ANGLE PROJECTION	DRAWING	SERIES	MATERIAL NUMBER
▽ = 0				THIRD ANGLE PROJECTION	A1-SIZE	34986	CUSTOMER
							GENERAL MARKET
							SHEET NUMBER
							5 OF 5

MX150 16 WAY HYBRID BLADE SEALED ASSEMBLY MAT SEAL (2.8mm CAVITIES OPEN)  
BOM AND PIN OUT SHEET



ABBREVIATION	DESCRIPTION	COLOR	MATERIAL
A-BLK	HOUSING, KEYING OPTION A	BLACK	SPS/NYLON GF20
B-LG	HOUSING, KEYING OPTION B	LIGHT GRAY	SPS/NYLON GF20
C-BR	HOUSING, KEYING OPTION C	BROWN	SPS/NYLON GF20
D-GR	HOUSING, KEYING OPTION D	GREEN	SPS/NYLON GF20
A-YW	HOUSING, KEYING OPTION A	YELLOW	SPS/NYLON GF20
C-DG	HOUSING, KEYING OPTION C	DARK GRAY	SPS/NYLON GF20
D-SG	HOUSING, KEYING OPTION D	STONE GRAY	SPS/NYLON GF20
E-BLK	HOUSING, KEYING OPTION E	BLACK	SPS/NYLON GF20
F-LG	HOUSING, KEYING OPTION F*	LIGHT GRAY	SPS/NYLON GF20
G-BR	HOUSING, KEYING OPTION G	BROWN	SPS/NYLON GF20
H-YW	HOUSING, KEYING OPTION H	YELLOW	SPS/NYLON GF20
GC-S	STANDARD GROMMET CAP	BLACK	SPS/NYLON GF20
GC-SB1	SHORTING BAR GROMMET CAP 1	BLACK	SPS/NYLON GF20
GC-SB2	SHORTING BAR GROMMET CAP 2	BLACK	SPS/NYLON GF20
GC-SB3	SHORTING BAR GROMMET CAP 3	BLACK	SPS/NYLON GF20
GC-SB4	SHORTING BAR GROMMET CAP 4	BLACK	SPS/NYLON GF20
GC-SB5	SHORTING BAR GROMMET CAP 5	BLACK	SPS/NYLON GF20
GC-SB6	SHORTING BAR GROMMET CAP 6	BLACK	SPS/NYLON GF20
SB	SHORTING BAR	GOLD PL	30100 STAINLESS STEEL
PLR	PLR	NATURAL	SPS/NYLON GF20
M	MAT SEAL	RUST RED	INHERENTLY LUBRICATED SILICONE

CLIPSLOT TYPE "A" STANDARD FOR ALL KEYING OPTIONS  
\*CLIPSLOT TYPE "B" OPTIONAL

FOR ADDITIONAL INFORMATION SEE SD-34986-8001

ASSEMBLY DESCRIPTION	ASSEMBLY PART NUMBER	COMPONENT					BLOCKED TERMINALS																STATUS	COMMENTS	OPTIONAL ATTACHMENTS SOLD SEPERATELY				
		THE PRESENCE OF AN ABBREVIATION INDICATES THE PRESENCE OF THAT COMPONENT.					CAVITY WITH A NUMBER INDICATES BLOCKED TERMINAL POSITION CAVITY WITHOUT A NUMBER INDICATES OPEN TERMINAL POSITION																		BACKSHELL WITH RIBS	BACKSHELL WITHOUT RIBS			
		HOUSING KEY/COLOR	GROMMET CAP	PLR	MAT SEAL	SB QTY	1	2	3	4	5	6	7	8	9	10	11	12	13	14	15	16							
KEY A, BLACK	34986-1601	A-BLK	GC-S	PLR	M																					SALEABLE		349531610	NOT AVAILABLE
KEY B, LIGHT GRAY	34986-1602	B-LG	GC-S	PLR	M																					SALEABLE		349531610	NOT AVAILABLE
KEY C, BROWN	34986-1603	C-BR	GC-S	PLR	M																					NOT RECOMMENDED	SEE 34986-1959	349531610	NOT AVAILABLE
KEY D, GREEN	34986-1604	D-GR	GC-S	PLR	M																					NOT RECOMMENDED	SEE 34986-1960	349531610	NOT AVAILABLE
KEY A, YELLOW	34986-1605	A-YW	GC-S	PLR	M																					SALEABLE		349531610	NOT AVAILABLE
KEY A, BLACK	34986-1606	A-BLK	GC-S	PLR	M																					SALEABLE		349531610	NOT AVAILABLE
KEY B, LIGHT GRAY	34986-1607	B-LG	GC-S	PLR	M																					SALEABLE		349531610	NOT AVAILABLE
KEY C, BROWN	34986-1608	C-BR	GC-S	PLR	M																					NOT RECOMMENDED		349531610	NOT AVAILABLE
KEY D, GREEN	34986-1609	D-GR	GC-S	PLR	M																					NOT RECOMMENDED		349531610	NOT AVAILABLE
KEY A, YELLOW	34986-1610	A-YW	GC-S	PLR	M																					SALEABLE		349531610	NOT AVAILABLE
KEY A, BLACK	34986-1611	A-BLK	GC-S	PLR	M																					SALEABLE		349531610	NOT AVAILABLE
KEY B, LIGHT GRAY	34986-1612	B-LG	GC-S	PLR	M																					SALEABLE		349531610	NOT AVAILABLE
KEY C, BROWN	34986-1613	C-BR	GC-S	PLR	M																					NOT RECOMMENDED		349531610	NOT AVAILABLE
KEY D, GREEN	34986-1614	D-GR	GC-S	PLR	M																					NOT RECOMMENDED		349531610	NOT AVAILABLE
KEY A, YELLOW	34986-1615	A-YW	GC-S	PLR	M																					SALEABLE		349531610	NOT AVAILABLE
KEY A, BLACK	34986-1621	A-BLK	GC-S	PLR	M																					SALEABLE		349531610	NOT AVAILABLE
KEY A, BLACK	34986-1626	A-BLK	GC-S	PLR	M																					SALEABLE		349531610	NOT AVAILABLE
KEY A, BLACK	34986-1631	A-BLK	GC-S	PLR	M																					SALEABLE		349531610	NOT AVAILABLE
KEY A, BLACK	34986-1636	A-BLK	GC-S	PLR	M																					SALEABLE		349531610	NOT AVAILABLE
KEY A, BLACK	34986-1641	A-BLK	GC-S	PLR	M																					SALEABLE		349531610	NOT AVAILABLE
KEY A, BLACK	34986-1646	A-BLK	GC-S	PLR	M																					SALEABLE		349531610	NOT AVAILABLE
KEY A, BLACK	34986-1651	A-BLK	GC-S	PLR	M																					SALEABLE		349531610	NOT AVAILABLE
KEY A, BLACK	34986-1656	A-BLK	GC-S	PLR	M																					SALEABLE		349531610	NOT AVAILABLE
KEY A, BLACK	34986-1661	A-BLK	GC-S	PLR	M																					SALEABLE		349531610	NOT AVAILABLE
KEY A, BLACK	34986-1666	A-BLK	GC-S	PLR	M																					SALEABLE		349531610	NOT AVAILABLE
KEY A, BLACK	34986-1671	A-BLK	GC-S	PLR	M																					SALEABLE		349531610	NOT AVAILABLE
KEY A, BLACK	34986-1672	A-BLK	GC-S	PLR	M																					SALEABLE		349531610	NOT AVAILABLE
KEY E, BLACK, WITH S.B.	34986-1701	E-BLK	GC-SB1	PLR	M	2																				SALEABLE		349531610	NOT AVAILABLE
KEY F, LIGHT GRAY, WITH S.B.	34986-1702	F-LG	GC-SB1	PLR	M	2																				SALEABLE		349531610	NOT AVAILABLE
KEY G, BROWN, WITH S.B.	34986-1703	G-BR	GC-SB1	PLR	M	2																				SALEABLE		349531610	NOT AVAILABLE
KEY H, YELLOW, WITH S.B.	34986-1704	H-YW	GC-SB1	PLR	M	2																				SALEABLE		349531610	NOT AVAILABLE
KEY H, YELLOW, WITH S.B.	34986-1708	H-YW	GC-SB1	PLR	M	2																				SALEABLE		349531610	NOT AVAILABLE
KEY H, YELLOW, WITH S.B.	34986-1710	H-YW	GC-SB1	PLR	M	2																				SALEABLE		349531610	NOT AVAILABLE
KEY H, YELLOW, WITH S.B.	34986-1712	H-YW	GC-SB1	PLR	M	2																				SALEABLE		349531610	NOT AVAILABLE
KEY E, BLACK, WITH S.B.	34986-1714	E-BLK	GC-SB2	PLR	M	1																				SALEABLE		349531610	NOT AVAILABLE
KEY B, LIGHT GRAY	34986-1715	B-LG	GC-S	PLR	M																					SALEABLE		349531610	NOT AVAILABLE
KEY A, BLACK	34986-1716	A-BLK	GC-S	PLR	M																					SALEABLE		349531610	NOT AVAILABLE
KEY A, BLACK	34986-1717	A-BLK	GC-S	PLR	M																					SALEABLE		349531610	NOT AVAILABLE
KEY A, BLACK	34986-1718	A-BLK	GC-S	PLR	M																					SALEABLE		349531610	NOT AVAILABLE
KEY A, BLACK	34986-1719	A-BLK	GC-S	PLR	M																					SALEABLE		349531610	NOT AVAILABLE
KEY A, BLACK	34986-1720	A-BLK	GC-S	PLR	M																					SALEABLE		349531610	NOT AVAILABLE
KEY F, LIGHT GRAY, WITH S.B.	34986-1721	F-LG	GC-SB2	PLR	M	1																				SALEABLE		349531610	NOT AVAILABLE
KEY F, LIGHT GRAY, WITH S.B.	34986-1722	F-LG	GC-SB2	PLR	M	1																				SALEABLE		349531610	NOT AVAILABLE
KEY F, LIGHT GRAY, WITH S.B.	34986-1723	F-LG	GC-SB2	PLR	M	1																				SALEABLE		349531610	NOT AVAILABLE
KEY F, LIGHT GRAY, WITH S.B.	34986-1724	F-LG	GC-SB2	PLR	M	1																				SALEABLE		349531610	NOT AVAILABLE
KEY F, LIGHT GRAY, WITH S.B.	34986-1725	F-LG	GC-SB2	PLR	M	1																				SALEABLE		349531610	NOT AVAILABLE
KEY F, LIGHT GRAY, WITH S.B.	34986-1726	F-LG	GC-SB2	PLR	M	1																				SALEABLE		349531610	NOT AVAILABLE
KEY F, LIGHT GRAY, WITH S.B.	34986-1727	F-LG	GC-SB2	PLR	M	1																				SALEABLE		349531610	NOT AVAILABLE
KEY F, LIGHT GRAY, WITH S.B.	34986-1728	F-LG	GC-SB2	PLR	M	1																				SALEABLE		349531610	NOT AVAILABLE
KEY F, LIGHT GRAY	34986-1729	F-LG	GC-S	PLR	M																					SALEABLE		349531610	NOT AVAILABLE
KEY F, LIGHT GRAY, WITH S.B.	34986-1731	F-LG	GC-SB2	PLR	M	1																				SALEABLE		349531610	NOT AVAILABLE
KEY A, BLACK	34986-1732	A-BLK	GC-S	PLR	M																					SALEABLE		349531610	NOT AVAILABLE
KEY E, BLACK, WITH S.B.	34986-1733	E-BLK	GC-SB3	PLR	M	4																				SALEABLE		349531610	NOT AVAILABLE
KEY E, BLACK, WITH S.B.	34986-1734	E-BLK	GC-SB4	PLR	M	3																				SALEABLE		349531610	NOT AVAILABLE
KEY E, BLACK, WITH S.B.	34986-1739	E-BLK	GC-SB1	PLR	M	2																				SALEABLE		349531610	NOT AVAILABLE
KEY E, BLACK, WITH S.B.	34986-1740	E-BLK	GC-SB1	PLR	M	2																				SALEABLE		349531610	NOT AVAILABLE
KEY E, BLACK, WITH S.B.	34986-1741	E-BLK	GC-SB1	PLR	M	2																				SALEABLE		349531610	NOT AVAILABLE
KEY E, BLACK, WITH S.B.	34986-1742	E-BLK	GC-SB1	PLR	M	2																				SALEABLE		349531610	NOT AVAILABLE





MX150 16 WAY HYBRID BLADE SEALED ASSEMBLY MAT SEAL (2.8mm CAVITIES OPEN)  
BOM AND PIN OUT SHEET

ASSEMBLY DESCRIPTION	ASSEMBLY PART NUMBER	COMPONENT					BLOCKED TERMINALS																STATUS	COMMENTS	OPTIONAL ATTACHMENTS SOLD SEPARATELY		
		THE PRESENCE OF AN ABBREVIATION INDICATES THE PRESENCE OF THAT COMPONENT.					CAVITY WITH A NUMBER INDICATES BLOCKED TERMINAL POSITION CAVITY WITHOUT A NUMBER INDICATES OPEN TERMINAL POSITION																		BACKSHELL WITH RIBS	BACKSHELL WITHOUT RIBS	
		HOUSING KEY/COLOR	GROMMET CAP	PLR	MAT SEAL	SB QTY	1	2	3	4	5	6	7	8	9	10	11	12	13	14	15	16					
KEY B, LIGHT GRAY	34986-1928	B-LG	GC-5	PLR	M			2	3	4	5	6	7			10	11	12	13	14	15		SALEABLE		349531610	NOT AVAILABLE	
KEY B, LIGHT GRAY	34986-1929	B-LG	GC-5	PLR	M							6	7											SALEABLE		349531610	NOT AVAILABLE
KEY A, BLACK	34986-1930	A-BLK	GC-5	PLR	M			2			5	6				10	11	12	13			15		SALEABLE		349531610	NOT AVAILABLE
KEY A, BLACK	34986-1931	A-BLK	GC-5	PLR	M			2		4	5					10		12	13					SALEABLE		349531610	NOT AVAILABLE
KEY A, BLACK	34986-1932	A-BLK	GC-5	PLR	M			2		4								12	13					SALEABLE		349531610	NOT AVAILABLE
KEY A, BLACK	34986-1933	A-BLK	GC-5	PLR	M			2				6						12	13	14	15			SALEABLE		349531610	NOT AVAILABLE
KEY A, BLACK	34986-1934	A-BLK	GC-5	PLR	M						5	6	7			10	11	12	13	14	15			SALEABLE		349531610	NOT AVAILABLE
KEY A, BLACK	34986-1935	A-BLK	GC-5	PLR	M				3	4		6				10	11	12	13	14	15			SALEABLE		349531610	NOT AVAILABLE
KEY A, BLACK	34986-1936	A-BLK	GC-5	PLR	M			2			5					11		13				15		SALEABLE		349531610	NOT AVAILABLE
KEY A, BLACK	34986-1937	A-BLK	GC-5	PLR	M			2			5					10	11		13			15		SALEABLE		349531610	NOT AVAILABLE
KEY A, BLACK	34986-1938	A-BLK	GC-5	PLR	M			2				6				10	11	12	13	14	15			SALEABLE		349531610	NOT AVAILABLE
KEY A, BLACK	34986-1939	A-BLK	GC-5	PLR	M					4	5							12				15		SALEABLE		349531610	NOT AVAILABLE
KEY A, BLACK	34986-1940	A-BLK	GC-5	PLR	M				3	4				7			10	11	12		14	15		SALEABLE		349531610	NOT AVAILABLE
KEY A, BLACK	34986-1941	A-BLK	GC-5	PLR	M																	15		SALEABLE		349531610	NOT AVAILABLE
KEY A, BLACK	34986-1942	A-BLK	GC-5	PLR	M			2	3		5			7			10	11	12	13	14	15		SALEABLE		349531610	NOT AVAILABLE
KEY A, BLACK	34986-1943	A-BLK	GC-5	PLR	M							6	7				11		13					SALEABLE		349531610	NOT AVAILABLE
KEY B, LIGHT GRAY	34986-1944	B-LG	GC-5	PLR	M					4									13					SALEABLE		349531610	NOT AVAILABLE
KEY A, BLACK	34986-1945	A-BLK	GC-5	PLR	M				3	4						10	11	12						SALEABLE		349531610	NOT AVAILABLE
KEY A, BLACK	34986-1946	A-BLK	GC-5	PLR	M							6					11		13					SALEABLE		349531610	NOT AVAILABLE
KEY A, BLACK	34986-1947	A-BLK	GC-5	PLR	M			2	3			6					11		13					SALEABLE		349531610	NOT AVAILABLE
KEY A, BLACK	34986-1948	A-BLK	GC-5	PLR	M					4											14			SALEABLE		349531610	NOT AVAILABLE
KEY B, LIGHT GRAY	34986-1949	B-LG	GC-5	PLR	M					4														SALEABLE		349531610	NOT AVAILABLE
KEY A, BLACK	34986-1950	A-BLK	GC-5	PLR	M									7			10		13	14	15			SALEABLE		349531610	NOT AVAILABLE
KEY A, BLACK	34986-1951	A-BLK	GC-5	PLR	M									7					13	14	15			SALEABLE		349531610	NOT AVAILABLE
KEY A, BLACK	34986-1952	A-BLK	GC-5	PLR	M											10			13	14				SALEABLE		349531610	NOT AVAILABLE
KEY A, BLACK	34986-1953	A-BLK	GC-5	PLR	M									7			10		13			15		SALEABLE		349531610	NOT AVAILABLE
KEY H, YELLOW, WITH S.B.	34986-1954	H-YW	GC-SB1	PLR	M	2		2	3	SB	SB							SB	SB			15		SALEABLE		349531610	NOT AVAILABLE
KEY A, BLACK	34986-1955	A-BLK	GC-5	PLR	M														13					SALEABLE		349531610	NOT AVAILABLE
KEY A, BLACK	34986-1956	A-BLK	GC-5	PLR	M							6						12	13	14	15			SALEABLE		349531610	NOT AVAILABLE
KEY A, BLACK	34986-1957	A-BLK	GC-5	PLR	M									7					13			15		SALEABLE		349531610	NOT AVAILABLE
KEY A, BLACK	34986-1958	A-BLK	GC-5	PLR	M										10				13					SALEABLE		349531610	NOT AVAILABLE
KEY C, DARK GRAY	34986-1959	C-DG	GC-5	PLR	M																			SALEABLE		349531610	NOT AVAILABLE
KEY D, STONE GRAY	34986-1960	D-SG	GC-5	PLR	M																			SALEABLE		349531610	NOT AVAILABLE
KEY A, YELLOW	34986-1961	A-YW	GC-5	PLR	M			2														15		SALEABLE		349531610	NOT AVAILABLE
KEY F, LIGHT GRAY	34986-1962	F-LG	GC-5	PLR	M					4	5	6	7			10	11	12	13	14	15			SALEABLE		349531610	NOT AVAILABLE
KEY F, LIGHT GRAY, WITH S.B.	34986-1963	F-LG	GC-SB1	PLR	M	2		2	3	SB	SB	6	7					SB	SB	14	15			SALEABLE		349531610	NOT AVAILABLE
KEY F, LIGHT GRAY, WITH S.B.	34986-1964	F-LG	GC-SB1	PLR	M	2				SB	SB	6	7					SB	SB	14	15			SALEABLE		349531610	NOT AVAILABLE
KEY A, BLACK	34986-1965	A-BLK	GC-5	PLR	M				3		5					10	11	12						SALEABLE		349531610	NOT AVAILABLE
KEY A, BLACK	34986-1966	A-BLK	GC-5	PLR	M			2	3	4	5					10	11	12	13			15		SALEABLE		349531610	NOT AVAILABLE
KEY A, BLACK	34986-1967	A-BLK	GC-5	PLR	M			2	3			6					11							SALEABLE		349531610	NOT AVAILABLE
KEY B, LIGHT GRAY	34986-1968	B-LG	GC-5	PLR	M					4		6							13					SALEABLE		349531610	NOT AVAILABLE
KEY A, BLACK	34986-1969	A-BLK	GC-5	PLR	M			2	3		5	6					11					15		SALEABLE		349531610	NOT AVAILABLE
KEY A, BLACK	34986-1970	A-BLK	GC-5	PLR	M			2			5	6					11					15		SALEABLE		349531610	NOT AVAILABLE
KEY A, BLACK	34986-1971	A-BLK	GC-5	PLR	M			2	3	4						10	11	12						SALEABLE		349531610	NOT AVAILABLE
KEY A, BLACK	34986-1972	A-BLK	GC-5	PLR	M											10						15		SALEABLE		349531610	NOT AVAILABLE
KEY A, BLACK	34986-1973	A-BLK	GC-5	PLR	M											10	11	12	13	14	15			SALEABLE		349531610	NOT AVAILABLE
KEY A, BLACK	34986-1974	A-BLK	GC-5	PLR	M			2								10	11	12	13	14	15			SALEABLE		349531610	NOT AVAILABLE
KEY E, BLACK	34986-1975	E-BLK	GC-5	PLR	M			2	3	4	5	6	7			10	11	12	13	14	15			SALEABLE		349531610	NOT AVAILABLE
KEY A, BLACK	34986-1976	A-BLK	GC-5	PLR	M			2	3			6	7				10	11	12	13	14			SALEABLE		349531610	NOT AVAILABLE
KEY A, BLACK	34986-1977	A-BLK	GC-5	PLR	M											10	11							SALEABLE		349531610	NOT AVAILABLE
KEY A, BLACK	34986-1978	A-BLK	GC-5	PLR	M			2										12	13	14				SALEABLE		349531610	NOT AVAILABLE
KEY A, BLACK	34986-1979	A-BLK	GC-5	PLR	M			2	3		5	6					11	12	13			15		SALEABLE		349531610	NOT AVAILABLE
KEY A, BLACK	34986-1980	A-BLK	GC-5	PLR	M				3		5	6	7			10	11	12	13	14	15			SALEABLE		349531610	NOT AVAILABLE
KEY A, BLACK	34986-1981	A-BLK	GC-5	PLR	M			2			5	6					10	11	12	13	14			SALEABLE		349531610	NOT AVAILABLE
KEY A, BLACK	34986-1982	A-BLK	GC-5	PLR	M			2			5	6	7			10	11	12	13	14				SALEABLE		349531610	NOT AVAILABLE
KEY A, BLACK	34986-1983	A-BLK	GC-5	PLR	M						5	6	7									15		SALEABLE		349531610	NOT AVAILABLE
KEY A, BLACK	34986-1984	A-BLK	GC-5	PLR	M				3		5	6	7									15		SALEABLE		349531610	NOT AVAILABLE
KEY A, BLACK	34986-1985	A-BLK	GC-5	PLR	M				3		5	6	7			10	11					15		SALEABLE		349531610	NOT AVAILABLE
KEY A, BLACK	34986-1986	A-BLK	GC-5	PLR	M						5	6	7			10	11	12	13	14				SALEABLE		349531610	NOT AVAILABLE
KEY A, BLACK	34986-1987	A-BLK	GC-5	PLR	M						5					10	11	12						SALEABLE		349531610	NOT AVAILABLE
KEY A, BLACK	34986-1988	A-BLK	GC-5	PLR	M			2		4	5					10	11	12	13	14	15			SALEABLE		349531610	NOT AVAILABLE
KEY A, BLACK	34986-1989	A-BLK	GC-5	PLR	M			2				6												SALEABLE		349531610	NOT AVAILABLE
KEY A, BLACK	34986-1990	A-BLK	GC-5	PLR	M						5	6	7			10	11	12	13					SALEABLE		349531610	NOT AVAILABLE
KEY A, BLACK	34986-1991	A-BLK	GC-5	PLR	M			2	3		5	6	7			10	11	12	13			15		SALEABLE		349531610	NOT AVAILABLE
KEY A, BLACK	34986-1992	A-BLK	GC-5	PLR	M				3	4	5						11	12			14	15		SALEABLE		349531610	NOT AVAILABLE
KEY A, BLACK	34986-1993	A-BLK	GC-5	PLR	M			2	3	4	5	6	7			10	11		13	14	15			SALEABLE		349531610	NOT AVAILABLE
KEY A, BLACK	34986-1994	A-BLK	GC-5	PLR	M			2					7			10	11		13					SALEABLE		349531610	NOT AVAILABLE
KEY A, BLACK	34986-1995	A-BLK	GC-5	PLR	M			2	3																		

MX150 16 WAY HYBRID BLADE SEALED ASSEMBLY MAT SEAL (2.8mm CAVITIES OPEN)  
BOM AND PIN OUT SHEET

ASSEMBLY DESCRIPTION	ASSEMBLY PART NUMBER	COMPONENT					BLOCKED TERMINALS																STATUS	COMMENTS	OPTIONAL ATTACHMENTS SOLD SEPARATELY					
		THE PRESENCE OF AN ABBREVIATION INDICATES THE PRESENCE OF THAT COMPONENT.					CAVITY WITH A NUMBER INDICATES BLOCKED TERMINAL POSITION CAVITY WITHOUT A NUMBER INDICATES OPEN TERMINAL POSITION																		BACKSHELL WITH RIBS	BACKSHELL WITHOUT RIBS				
		HOUSING KEY/COLOR	GROMMET CAP	PLR	MAT SEAL	SB QTY	1	2	3	4	5	6	7	8	9	10	11	12	13	14	15	16								
KEY A, BLACK	34986-2018	A-BLK	GC-5	PLR	M			2																			SALEABLE		349531610	NOT AVAILABLE
KEY A, BLACK	34986-2019	A-BLK	GC-5	PLR	M																						SALEABLE		349531610	NOT AVAILABLE
KEY A, BLACK	34986-2020	A-BLK	GC-5	PLR	M			2	3	4	5	6	7														SALEABLE		349531610	NOT AVAILABLE
KEY A, BLACK	34986-2021	A-BLK	GC-5	PLR	M			2																			SALEABLE		349531610	NOT AVAILABLE
KEY A, BLACK	34986-2022	A-BLK	GC-5	PLR	M				3	4	5	6	7														SALEABLE		349531610	NOT AVAILABLE
KEY A, BLACK	34986-2023	A-BLK	GC-5	PLR	M																						SALEABLE		349531610	NOT AVAILABLE
KEY A, BLACK	34986-2024	A-BLK	GC-5	PLR	M			2		4																	SALEABLE		349531610	NOT AVAILABLE
KEY A, BLACK	34986-2025	A-BLK	GC-5	PLR	M			2	3	4																	SALEABLE		349531610	NOT AVAILABLE
KEY A, BLACK	34986-2026	A-BLK	GC-5	PLR	M			2	3																		SALEABLE		349531610	NOT AVAILABLE
KEY A, BLACK	34986-2027	A-BLK	GC-5	PLR	M																						SALEABLE		349531610	NOT AVAILABLE
KEY A, BLACK	34986-2028	A-BLK	GC-5	PLR	M			2	3	4																	SALEABLE		349531610	NOT AVAILABLE
KEY A, BLACK	34986-2029	A-BLK	GC-5	PLR	M			2	3																		SALEABLE		349531610	NOT AVAILABLE
KEY B, LIGHT GRAY	34986-2030	B-LG	GC-5	PLR	M			2	3																		SALEABLE		349531610	NOT AVAILABLE
KEY B, LIGHT GRAY	34986-2031	B-LG	GC-5	PLR	M			2	3																		SALEABLE		349531610	NOT AVAILABLE
KEY B, LIGHT GRAY	34986-2032	B-LG	GC-5	PLR	M																						SALEABLE		349531610	NOT AVAILABLE
KEY A, BLACK	34986-2033	A-BLK	GC-5	PLR	M					3																	SALEABLE		349531610	NOT AVAILABLE
KEY A, BLACK	34986-2034	A-BLK	GC-5	PLR	M																						SALEABLE		349531610	NOT AVAILABLE
KEY A, BLACK	34986-2035	A-BLK	GC-5	PLR	M					3																	SALEABLE		349531610	NOT AVAILABLE
KEY A, BLACK	34986-2036	A-BLK	GC-5	PLR	M																						SALEABLE		349531610	NOT AVAILABLE
KEY A, BLACK	34986-2037	A-BLK	GC-5	PLR	M			2																			SALEABLE		349531610	NOT AVAILABLE
KEY F, LIGHT GRAY, WITH S.B.	34986-2038	F-LG	GC-SB1	PLR	M	2																					SALEABLE		349531610	NOT AVAILABLE
KEY A, BLACK	34986-2039	A-BLK	GC-5	PLR	M					3																	SALEABLE		349531610	NOT AVAILABLE
KEY A, BLACK	34986-2040	A-BLK	GC-5	PLR	M			2																			SALEABLE		349531610	NOT AVAILABLE
KEY A, BLACK	34986-2041	A-BLK	GC-5	PLR	M																						SALEABLE		349531610	NOT AVAILABLE
KEY A, BLACK	34986-2042	A-BLK	GC-5	PLR	M			2																			SALEABLE		349531610	NOT AVAILABLE
KEY A, BLACK	34986-2043	A-BLK	GC-5	PLR	M			2	3																		SALEABLE		349531610	NOT AVAILABLE
KEY A, BLACK	34986-2044	A-BLK	GC-5	PLR	M			2	3																		SALEABLE		349531610	NOT AVAILABLE
KEY F, LIGHT GRAY	34986-2045	F-LG	GC-5	PLR	M																						SALEABLE		349531610	NOT AVAILABLE
KEY F, LIGHT GRAY, WITH S.B.	34986-2046	F-LG	GC-SB1	PLR	M	2																					SALEABLE		349531610	NOT AVAILABLE
KEY A, BLACK	34986-2047	A-BLK	GC-5	PLR	M			2	3	4	5	6															SALEABLE		349531610	NOT AVAILABLE
KEY A, BLACK	34986-2048	A-BLK	GC-5	PLR	M					3																	SALEABLE		349531610	NOT AVAILABLE
KEY A, BLACK	34986-2049	A-BLK	GC-5	PLR	M			2																			SALEABLE		349531610	NOT AVAILABLE
KEY A, BLACK	34986-2050	A-BLK	GC-5	PLR	M			2																			SALEABLE		349531610	NOT AVAILABLE
KEY A, BLACK	34986-2051	A-BLK	GC-5	PLR	M			2																			SALEABLE		349531610	NOT AVAILABLE
KEY A, BLACK	34986-2052	A-BLK	GC-5	PLR	M			2																			SALEABLE		349531610	NOT AVAILABLE
KEY A, BLACK	34986-2053	A-BLK	GC-5	PLR	M					3	4	5															SALEABLE		349531610	NOT AVAILABLE
KEY A, BLACK	34986-2054	A-BLK	GC-5	PLR	M			2																			SALEABLE		349531610	NOT AVAILABLE
KEY A, BLACK	34986-2055	A-BLK	GC-5	PLR	M			2																			SALEABLE		349531610	NOT AVAILABLE
KEY A, BLACK	34986-2056	A-BLK	GC-5	PLR	M																						SALEABLE		349531610	NOT AVAILABLE
KEY A, BLACK	34986-2057	A-BLK	GC-5	PLR	M			2																			SALEABLE		349531610	NOT AVAILABLE
KEY B, LIGHT GRAY	34986-2058	B-LG	GC-5	PLR	M			2	3																		SALEABLE		349531610	NOT AVAILABLE
KEY B, LIGHT GRAY	34986-2059	B-LG	GC-5	PLR	M																						SALEABLE		349531610	NOT AVAILABLE
KEY A, BLACK	34986-2060	A-BLK	GC-5	PLR	M			2																			SALEABLE		349531610	NOT AVAILABLE
KEY A, BLACK	34986-2061	A-BLK	GC-5	PLR	M					3																	SALEABLE		349531610	NOT AVAILABLE
KEY F, LIGHT GRAY, WITH S.B.	34986-2062	F-LG	GC-5	PLR	M	2																					SALEABLE	SEE NOTE 4	349531610	NOT AVAILABLE
KEY F, LIGHT GRAY, WITH S.B.	34986-2063	F-LG	GC-5	PLR	M	2																					SALEABLE	SEE NOTE 4	349531610	NOT AVAILABLE
KEY A, BLACK	34986-2064	A-BLK	GC-5	PLR	M			2		3																	SALEABLE		349531610	NOT AVAILABLE
KEY F, LIGHT GRAY	34986-2065	F-LG	GC-5	PLR	M																						SALEABLE		349531610	NOT AVAILABLE
KEY F, LIGHT GRAY, WITH S.B.	34986-2066	F-LG	GC-SB1	PLR	M	2																					SALEABLE		349531610	NOT AVAILABLE
KEY A, BLACK	34986-2067	A-BLK	GC-5	PLR	M					3	4																SALEABLE		349531610	NOT AVAILABLE
KEY A, BLACK	34986-2068	A-BLK	GC-5	PLR	M																						SALEABLE		349531610	NOT AVAILABLE
KEY A, BLACK	34986-2069	A-BLK	GC-5	PLR	M																						SALEABLE		349531610	NOT AVAILABLE
KEY A, BLACK	34986-2070	A-BLK	GC-5	PLR	M			2		3																	SALEABLE		349531610	NOT AVAILABLE
KEY A, BLACK	34986-2071	A-BLK	GC-5	PLR	M																						SALEABLE		349531610	NOT AVAILABLE
KEY A, BLACK	34986-2072	A-BLK	GC-5	PLR	M																						SALEABLE		349531610	NOT AVAILABLE
KEY F, LIGHT GRAY, WITH S.B.	34986-2073	F-LG	GC-SB1	PLR	M	2																					SALEABLE		349531610	NOT AVAILABLE
KEY F, LIGHT GRAY, WITH S.B.	34986-2074	F-LG	GC-5	PLR	M	2																					SALEABLE	SEE NOTE 4	349531610	NOT AVAILABLE
KEY A, BLACK	34986-2075	A-BLK	GC-5	PLR	M			2																			SALEABLE		349531610	NOT AVAILABLE
KEY A, BLACK	34986-2076	A-BLK	GC-5	PLR	M					3																	SALEABLE		349531610	NOT AVAILABLE
KEY A, BLACK	34986-2077	A-BLK	GC-5	PLR	M																						SALEABLE		349531610	NOT AVAILABLE
KEY A, BLACK	34986-2078	A-BLK	GC-5	PLR	M																						SALEABLE		349531610	NOT AVAILABLE
KEY B, LIGHT GRAY	34986-2079	B-LG	GC-5	PLR	M																						SALEABLE		349531610	NOT AVAILABLE
KEY B, LIGHT GRAY	34986-2080	B-LG	GC-5	PLR	M																						SALEABLE		349531610	NOT AVAILABLE
KEY A, BLACK	34986-2081	A-BLK	GC-5	PLR	M			2		3																	SALEABLE		349531610	NOT AVAILABLE
KEY A, BLACK	34986-2082	A-BLK	GC-5	PLR	M			2		3																	SALEABLE		349531610	NOT AVAILABLE
KEY A, BLACK	34986-2083	A-BLK	GC-5	PLR	M			2		3																	SALEABLE		349531610	NOT AVAILABLE
KEY A, BLACK	34986-2084	A-BLK	GC-5	PLR	M			2		3	4	5															SALEABLE		349531610	NOT AVAILABLE
KEY A, BLACK	34986-2085</																													



**MX150 16 WAY HYBRID BLADE SEALED ASSEMBLY MAT SEAL (2.8mm CAVITIES OPEN)  
BOM AND PIN OUT SHEET**

ASSEMBLY DESCRIPTION	ASSEMBLY PART NUMBER	COMPONENT					BLOCKED TERMINALS																STATUS	COMMENTS	OPTIONAL ATTACHMENTS SOLD SEPARATELY		
		THE PRESENCE OF AN ABBREVIATION INDICATES THE PRESENCE OF THAT COMPONENT.					CAVITY WITH A NUMBER INDICATES BLOCKED TERMINAL POSITION CAVITY WITHOUT A NUMBER INDICATES OPEN TERMINAL POSITION																		BACKSHELL WITH RIBS	BACKSHELL WITHOUT RIBS	
		HOUSING KEY/COLOR	GROMMET CAP	PLR	MAT SEAL	SB QTY	1	2	3	4	5	6	7	8	9	10	11	12	13	14	15	16					
KEY A, BLACK	34986-2108	A-BLK	GC-5	PLR	M			2										12	13	14	15		SALEABLE		349531610	NOT AVAILABLE	
KEY A, BLACK	34986-2109	A-BLK	GC-5	PLR	M			2	3									12	13	14	15		SALEABLE		349531610	NOT AVAILABLE	
KEY F, LIGHT GRAY, WITH S.B.	34986-2110	F-LG	GC-5	PLR	M	2					SB	SB						SB	SB		15		SEE NOTE 4		349531610	NOT AVAILABLE	
KEY A, BLACK	34986-2111	A-BLK	GC-5	PLR	M			2								10	11		13	14			SALEABLE		349531610	NOT AVAILABLE	
KEY A, BLACK	34986-2112	A-BLK	GC-5	PLR	M												11			14	15		SALEABLE		349531610	NOT AVAILABLE	
KEY A, BLACK	34986-2113	A-BLK	GC-5	PLR	M			2	3								11			14	15		SALEABLE		349531610	NOT AVAILABLE	
KEY A, BLACK	34986-2114	A-BLK	GC-5	PLR	M											10			13				SALEABLE		349531610	NOT AVAILABLE	
KEY A, BLACK	34986-2115	A-BLK	GC-5	PLR	M						3	4					11	12					SALEABLE		349531610	NOT AVAILABLE	
KEY A, BLACK	34986-2116	A-BLK	GC-5	PLR	M						3	4					11	12	13				SALEABLE		349531610	NOT AVAILABLE	
KEY A, BLACK	34986-2117	A-BLK	GC-5	PLR	M						3	4					10	11	12	13			SALEABLE		349531610	NOT AVAILABLE	
KEY A, BLACK	34986-2118	A-BLK	GC-5	PLR	M			2	3										13	14	15		SALEABLE		349531610	NOT AVAILABLE	
KEY A, BLACK	34986-2119	A-BLK	GC-5	PLR	M												10			13	14	15	SALEABLE		349531610	NOT AVAILABLE	
KEY A, BLACK	34986-2120	A-BLK	GC-5	PLR	M														13				SALEABLE		349531610	NOT AVAILABLE	
KEY A, BLACK	34986-2121	A-BLK	GC-5	PLR	M															13	14	15	SALEABLE		349531610	NOT AVAILABLE	
KEY A, BLACK	34986-2122	A-BLK	GC-5	PLR	M															11			SALEABLE		349531610	NOT AVAILABLE	
KEY A, BLACK	34986-2123	A-BLK	GC-5	PLR	M															11			SALEABLE		349531610	NOT AVAILABLE	
KEY A, BLACK	34986-2124	A-BLK	GC-5	PLR	M			2	3												14	15	SALEABLE		349531610	NOT AVAILABLE	
KEY A, BLACK	34986-2125	A-BLK	GC-5	PLR	M			2													14		SALEABLE		349531610	NOT AVAILABLE	
KEY A, BLACK	34986-2126	A-BLK	GC-5	PLR	M																	15	SALEABLE		349531610	NOT AVAILABLE	
KEY A, BLACK	34986-2127	A-BLK	GC-5	PLR	M							3										15	SALEABLE		349531610	NOT AVAILABLE	
KEY A, BLACK	34986-2128	A-BLK	GC-5	PLR	M																		SALEABLE		349531610	NOT AVAILABLE	
KEY A, BLACK	34986-2129	A-BLK	GC-5	PLR	M			2	3										12	13			SALEABLE		349531610	NOT AVAILABLE	
KEY A, BLACK	34986-2130	A-BLK	GC-5	PLR	M			2											12	13	14	15	SALEABLE		349531610	NOT AVAILABLE	
KEY A, BLACK	34986-2131	A-BLK	GC-5	PLR	M			2												11	12			SALEABLE		349531610	NOT AVAILABLE
KEY A, BLACK	34986-2132	A-BLK	GC-5	PLR	M			2	3											11	12			SALEABLE		349531610	NOT AVAILABLE
KEY A, BLACK	34986-2133	A-BLK	GC-5	PLR	M			2															SALEABLE		349531610	NOT AVAILABLE	
KEY A, BLACK	34986-2134	A-BLK	GC-5	PLR	M			2	3														SALEABLE		349531610	NOT AVAILABLE	
KEY A, BLACK	34986-2135	A-BLK	GC-5	PLR	M			2	3														SALEABLE		349531610	NOT AVAILABLE	
KEY A, BLACK	34986-2136	A-BLK	GC-5	PLR	M			2	3	4													SALEABLE		349531610	NOT AVAILABLE	
KEY A, BLACK	34986-2137	A-BLK	GC-5	PLR	M			2	3														SALEABLE		349531610	NOT AVAILABLE	
KEY A, BLACK	34986-2138	A-BLK	GC-5	PLR	M			2	3	4													SALEABLE		349531610	NOT AVAILABLE	
KEY A, BLACK	34986-2139	A-BLK	GC-5	PLR	M			2	3														SALEABLE		349531610	NOT AVAILABLE	
KEY A, BLACK	34986-2140	A-BLK	GC-5	PLR	M			2	3														SALEABLE		349531610	NOT AVAILABLE	
KEY A, BLACK	34986-2141	A-BLK	GC-5	PLR	M			2	3														SALEABLE		349531610	NOT AVAILABLE	
KEY A, BLACK	34986-2142	A-BLK	GC-5	PLR	M																	14	15	SALEABLE		349531610	NOT AVAILABLE
KEY A, BLACK	34986-2143	A-BLK	GC-5	PLR	M																		SALEABLE		349531610	NOT AVAILABLE	
KEY A, BLACK	34986-2144	A-BLK	GC-5	PLR	M																		SALEABLE		349531610	NOT AVAILABLE	
KEY A, BLACK	34986-2145	A-BLK	GC-5	PLR	M																		SALEABLE		349531610	NOT AVAILABLE	
KEY A, BLACK	34986-2146	A-BLK	GC-5	PLR	M																		SALEABLE		349531610	NOT AVAILABLE	
KEY A, BLACK	34986-2147	A-BLK	GC-5	PLR	M			2	3														SALEABLE		349531610	NOT AVAILABLE	
KEY A, BLACK	34986-2148	A-BLK	GC-5	PLR	M			2															SALEABLE		349531610	NOT AVAILABLE	
KEY A, BLACK	34986-2149	A-BLK	GC-5	PLR	M																		SALEABLE		349531610	NOT AVAILABLE	
KEY A, BLACK	34986-2150	A-BLK	GC-5	PLR	M																		SALEABLE		349531610	NOT AVAILABLE	
KEY A, BLACK	34986-2151	A-BLK	GC-5	PLR	M																		SALEABLE		349531610	NOT AVAILABLE	
KEY A, BLACK	34986-2152	A-BLK	GC-5	PLR	M																		SALEABLE		349531610	NOT AVAILABLE	
KEY A, BLACK	34986-2153	A-BLK	GC-5	PLR	M			2	3	4													SALEABLE		349531610	NOT AVAILABLE	
KEY A, BLACK	34986-2154	A-BLK	GC-5	PLR	M																		SALEABLE		349531610	NOT AVAILABLE	
KEY A, BLACK	34986-2155	A-BLK	GC-5	PLR	M			2	3	4													SALEABLE		349531610	NOT AVAILABLE	
KEY A, BLACK	34986-2156	A-BLK	GC-5	PLR	M																		SALEABLE		349531610	NOT AVAILABLE	
KEY A, BLACK	34986-2157	A-BLK	GC-5	PLR	M																		SALEABLE		349531610	NOT AVAILABLE	
KEY A, YELLOW	34986-2158	A-YW	GC-5	PLR	M																		SALEABLE		349531610	NOT AVAILABLE	
KEY A, BLACK	34986-2159	A-BLK	GC-5	PLR	M																		SALEABLE		349531610	NOT AVAILABLE	
KEY A, BLACK	34986-2160	A-BLK	GC-5	PLR	M			2															SALEABLE		349531610	NOT AVAILABLE	
KEY A, BLACK	34986-2161	A-BLK	GC-5	PLR	M			2															SALEABLE		349531610	NOT AVAILABLE	
KEY A, BLACK	34986-2162	A-BLK	GC-5	PLR	M																		SALEABLE		349531610	NOT AVAILABLE	
KEY A, BLACK	34986-2163	A-BLK	GC-5	PLR	M																		SALEABLE		349531610	NOT AVAILABLE	
KEY A, BLACK	34986-2164	A-BLK	GC-5	PLR	M																		SALEABLE		349531610	NOT AVAILABLE	
KEY B, LIGHT GRAY	34986-2165	B-LG	GC-5	PLR	M																		SALEABLE		349531610	NOT AVAILABLE	
KEY A, BLACK	34986-2166	A-BLK	GC-5	PLR	M			2															SALEABLE		349531610	NOT AVAILABLE	
KEY A, BLACK	34986-2167	A-BLK	GC-5	PLR	M			2															SALEABLE		349531610	NOT AVAILABLE	
KEY A, BLACK	34986-2168	A-BLK	GC-5	PLR	M			2															SALEABLE		349531610	NOT AVAILABLE	
KEY A, BLACK	34986-2169	A-BLK	GC-5	PLR	M																		SALEABLE		349531610	NOT AVAILABLE	
KEY A, BLACK	34986-2170	A-BLK	GC-5	PLR	M																		SALEABLE		349531610	NOT AVAILABLE	
KEY A, BLACK	34986-2171	A-BLK	GC-5	PLR	M																		SALEABLE		349531610	NOT AVAILABLE	
KEY A, BLACK	34986-2172	A-BLK	GC-5	PLR	M																		SALEABLE		349531610	NOT AVAILABLE	
KEY A, BLACK	34986-2173	A-BLK	GC-5	PLR	M																		SALEABLE		349531610	NOT AVAILABLE	
KEY A, BLACK	34986-2174	A-BLK	GC-5	PLR	M																		SALEABLE		349531610	NOT AVAILABLE	
KEY A, BLACK	34986-2175	A-BLK	GC-5	PLR	M																		SALEABLE		349531610	NOT AVAILABLE	
KEY F, LIGHT GRAY	34986-2176	F-LG	GC-5	PLR	M																		SALEABLE		349531610	NOT AVAILABLE	
KEY F, LIGHT GRAY	34986-2177	F-LG	GC-5	PLR	M																		SALEABLE		349531610	NOT AVAILABLE	
KEY F, LIGHT GRAY	34986-2178	F-LG	GC-5	PLR	M																		SALEABLE		349531610	NOT AVAILABLE	
KEY F, LIGHT GRAY	34986-2179	F-LG	GC-5	PLR	M																		SALEABLE		349531610	NOT AVAILABLE	
KEY F, LIGHT GRAY	34986-2180	F-LG	GC-5	PLR	M																		SALEABLE		349531610	NOT AVAILABLE	
KEY F, LIGHT GRAY	34986-2181	F-LG	GC-5	PLR	M																						





**MX150 16 WAY HYBRID BLADE SEALED ASSEMBLY MAT SEAL (2.8mm CAVITIES OPEN)  
BOM AND PIN OUT SHEET**

ASSEMBLY DESCRIPTION	ASSEMBLY PART NUMBER	COMPONENT					BLOCKED TERMINALS																STATUS	COMMENTS	OPTIONAL ATTACHMENTS SOLD SEPERATELY	
		THE PRESENCE OF AN ABBREVIATION INDICATES THE PRESENCE OF THAT COMPONENT.					CAVITY WITH A NUMBER INDICATES BLOCKED TERMINAL POSITION CAVITY WITHOUT A NUMBER INDICATES OPEN TERMINAL POSITION																		BACKSHELL WITH RIBS	BACKSHELL WITHOUT RIBS
		HOUSING KEY/COLOR	GROMMET CAP	PLR	MAT SEAL	SB QTY	1	2	3	4	5	6	7	8	9	10	11	12	13	14	15	16				
KEY B, LIGHT GRAY	34986-2288	B-LG	GC-S	PLR	M													12		14			SALEABLE		349531610	NOT AVAILABLE
KEY A, BLACK	34986-2289	A-BLK	GC-S	PLR	M				4	5	6												SALEABLE		349531610	NOT AVAILABLE
KEY B, LIGHT GRAY	34986-2290	B-LG	GC-S	PLR	M													11					SALEABLE		349531610	NOT AVAILABLE
KEY B, LIGHT GRAY	34986-2291	B-LG	GC-S	PLR	M		2	3	4	5		7								14	15		SALEABLE		349531610	NOT AVAILABLE
KEY A, BLACK	34986-2292	A-BLK	GC-S	PLR	M		2			5		7			10	11	12		13		15		SALEABLE		349531610	NOT AVAILABLE
KEY A, BLACK	34986-2293	A-BLK	GC-S	PLR	M		2			5		7			10	11	12				15		SALEABLE		349531610	NOT AVAILABLE
KEY A, BLACK	34986-2294	A-BLK	GC-S	PLR	M		2	3	4						10	11	12			14	15		SALEABLE		349531610	NOT AVAILABLE
KEY A, BLACK	34986-2295	A-BLK	GC-S	PLR	M				4						10	11	12		13				SALEABLE		349531610	NOT AVAILABLE
KEY A, BLACK	34986-2296	A-BLK	GC-S	PLR	M				4							11	12		13		15		SALEABLE		349531610	NOT AVAILABLE
KEY A, BLACK	34986-2297	A-BLK	GC-S	PLR	M		2	3			6	7			10	11				14	15		SALEABLE		349531610	NOT AVAILABLE
KEY A, BLACK	34986-2298	A-BLK	GC-S	PLR	M		2			5		7			10	11			13		15		SALEABLE		349531610	NOT AVAILABLE
KEY A, BLACK	34986-2299	A-BLK	GC-S	PLR	M				4	5	6				10	11	12			14	15		SALEABLE		349531610	NOT AVAILABLE