

注記 NOTE

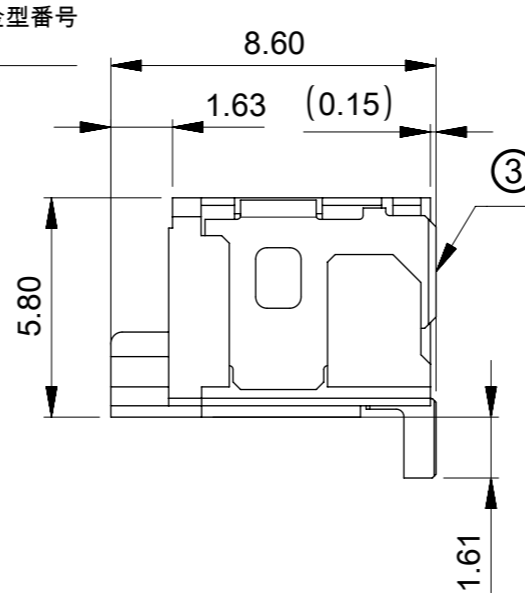
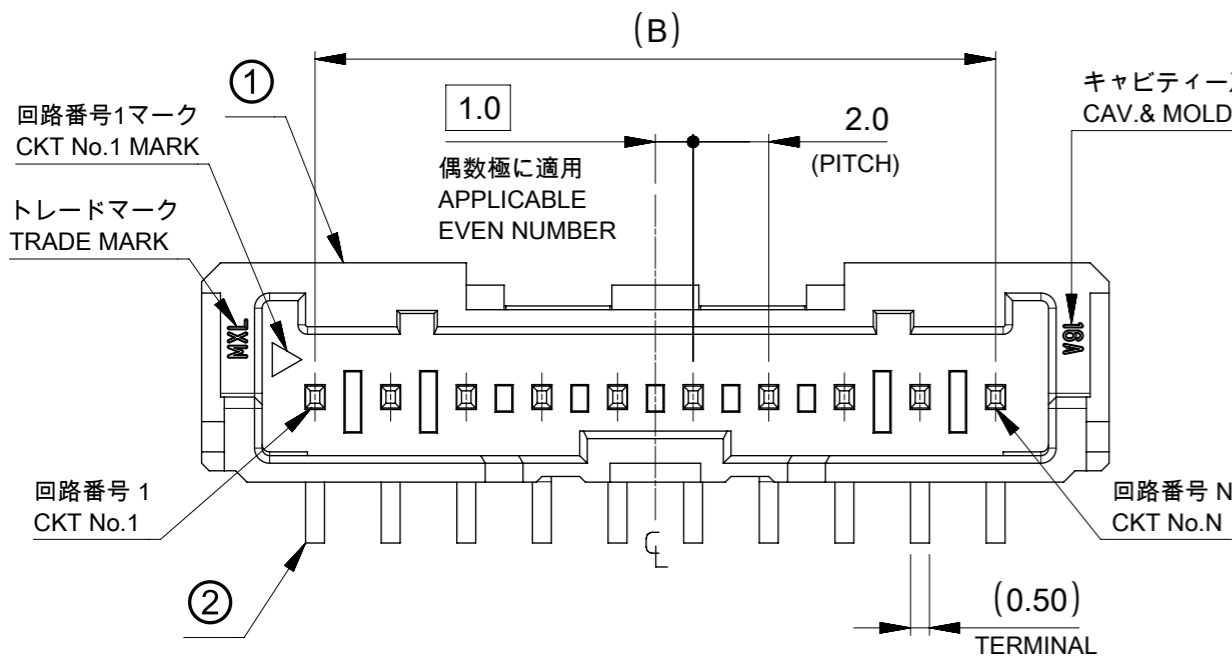
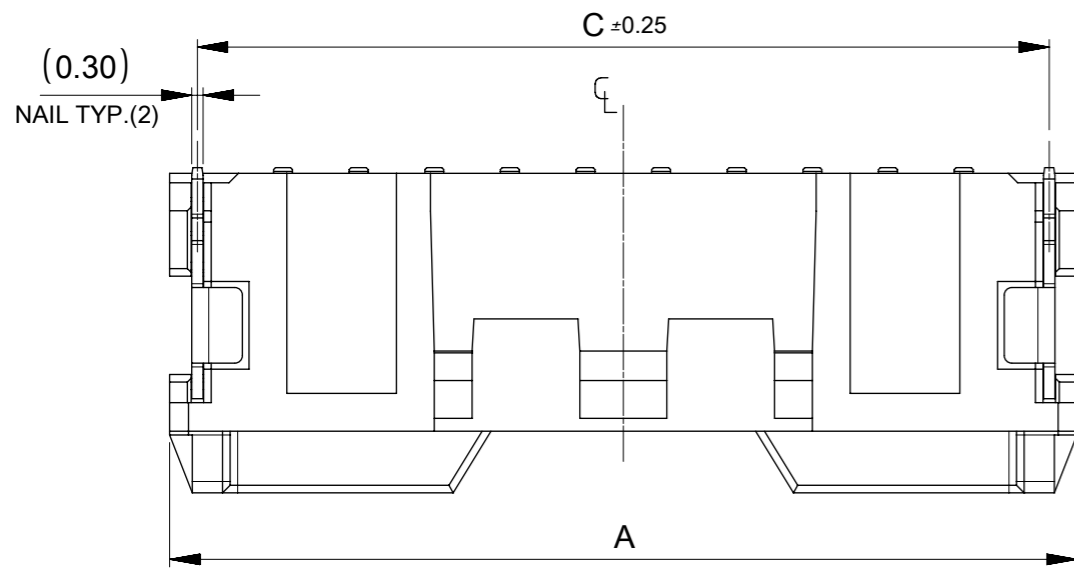
1. 嵌合相手 : 505570シリーズ
MATING WITH:505570SERIES
2. エンボス梱包品の詳細は5055750001PSD001を参照
DETAILED TAPING PACKAGE, SEE 5055750001PSD001.
3. アプリケーション仕様書 (コネクタ取扱い説明書)
: 5055700001PSA02, 5055700001PSA03
APPLICATION SPECIFICATION(CONNECTOR MANUAL)
: 5055700001PSA02, 5055700001PSA03
4. 製品仕様書:5055700001PS001
PRODUCT SPECIFICATION:5055700001PS001

5. 製品番号 MATERIAL No.

505575****	色	No.	COLOR
	COLOR	0	NATURAL
極数	カプトンテープ	No.	KAPTON
		CIRCUIT SIZE	KAPTON TAPE
		7	WITHOUT
		8	WITH

6. ターミナルとネイルの平坦度は0.1mm以下
TERMINAL AND NAIL COPLANARITY:0.1mm MAX.

7. ELV & RoHS 適合品
ELV & RoHS COMPLIANT



30.0	5.0	34.53	30.0	36	5055751681	5055751680	5055751671	5055751670	16
28.0	5.0	32.53	28.0	34	5055751581	5055751580	5055751571	5055751570	15
26.0	5.0	30.53	26.0	32	5055751481	5055751480	5055751471	5055751470	14
24.0	5.0	28.53	24.0	30	5055751381	5055751380	5055751371	5055751370	13
22.0	5.0	26.53	22.0	28	5055751281	5055751280	5055751271	5055751270	12
20.0	5.0	24.53	20.0	26	5055751181	5055751180	5055751171	5055751170	11
18.0	5.0	22.53	18.0	24	5055751081	5055751080	5055751071	5055751070	10
16.0	4.0	20.53	16.0	22	5055750981	5055750980	5055750971	5055750970	9
14.0	4.0	18.53	14.0	20	5055750881	5055750880	5055750871	5055750870	8
12.0	4.0	16.53	12.0	18	5055750781	5055750780	5055750771	5055750770	7
10.0	4.0	14.53	10.0	16	5055750681	5055750680	5055750671	5055750670	6
8.0	4.0	12.53	8.0	14	5055750581	5055750580	5055750571	5055750570	5
6.0	4.0	10.53	6.0	12	5055750481	5055750480	5055750471	5055750470	4
4.0	8.0	8.53	4.0	10	5055750381	5055750380	5055750371	5055750370	3
2.0	6.0	6.53	2.0	8	5055750281	5055750280	5055750271	5055750270	2

E	D	C	B	A	ハウジング 黒色 HSG COLOR BLACK	ハウジング ナチュラル HSG COLOR NATURAL	ハウジング 黒色 HSG COLOR BLACK	ハウジング ナチュラル HSG COLOR NATURAL	極数 CIRCUIT
					カプトンテープ有 WITH KAPTON TAPE		カプトンテープ無 WITHOUT KAPTON TAPE		
エンボス梱包 オークター番号 EMBOSSED PKG ORDER No.									

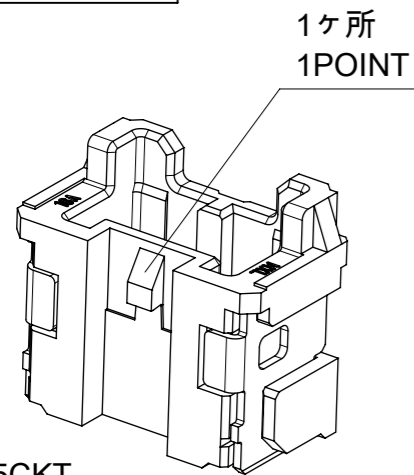
No.	部品 PART	材質 MATERIAL
①	ハウジング HOUSING	ポリアミド(PA) UL94 V-0 POLYAMIDE(PA) UL94 V-0 色 : ナチュラル、黒 COLOR: NATURAL, BLACK
②	ターミナル TERMINAL	黄銅 BRASS 錫めっき : 1.0um 以上 MATTE TIN PLATING: 1.0 micro-meter MIN. ニッケルめっき (下地) : 1.0um 以上 NICKEL (UNDER PLATING) PLATING: 1.0 micro-meter MIN.
③	フィッティングネイル FITTING NAIL	リン青銅 PHOSPHOR BRONZE 錫めっき : 1.0um 以上 MATTE TIN PLATING: 1.0 micro-meter MIN. ニッケルめっき (下地) : 1.0um 以上 NICKEL (UNDER PLATING) PLATING: 1.0 micro-meter MIN.

THIS DRAWING CONTAINS INFORMATION THAT IS PROPRIETARY TO MOLEX ELECTRONIC TECHNOLOGIES, LLC AND SHOULD NOT BE USED WITHOUT WRITTEN PERMISSION

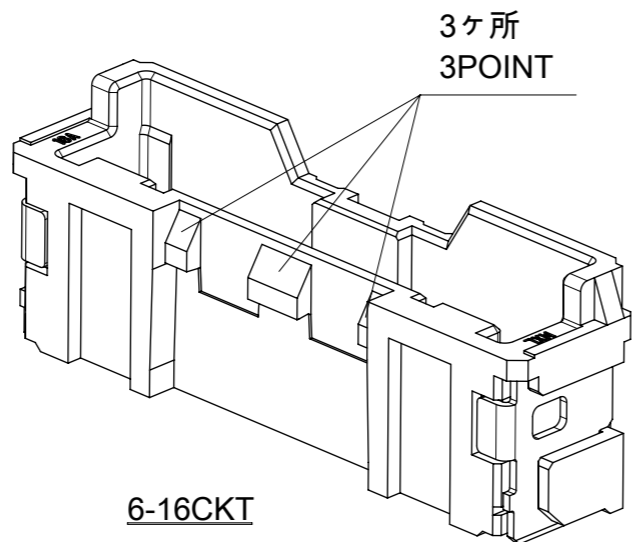
EC NO: 617198 DRWN: TENAGASE CHK'D: SAKIYAMA APPR: KOMURAKAMI	2019/05/14	GENERAL TOLERANCES (UNLESS SPECIFIED)	DIMENSION UNITS	SCALE
	2019/05/16	ANGULAR TOL ± 3.0 °	mm	5:1
	2019/05/16	4 PLACES ±	DRWN BY	DATE
		3 PLACES ±	TENAGASE	2016/06/07
	2 PLACES ± 0.2	CHK'D BY	DATE	
	1 PLACE ± 0.25	KOMURAKAMI	2016/06/23	
	0 PLACES ± 0.3	APPR BY	DATE	
		TKANEKO	2016/06/23	
	DRAFT WHERE APPLICABLE MUST REMAIN WITHIN DIMENSIONS	DRAWING SIZE	THIRD ANGLE PROJECTION	
		A3		

molex [®]			
MICRO-LOCK PLUS 2.0MM PITCH WIRE TO BOARD PLUG ASSEMBLY ST			
PRODUCT CUSTOMER DRAWING			
SERIES	MATERIAL NUMBER	CUSTOMER	
505575	SEE CHART	GENERAL	
DOCUMENT NUMBER		DOC TYPE	DOC PART SHEET NUMBER
5055750001		PSD	000 1 OF 2

ロック形状
LOCK FORM



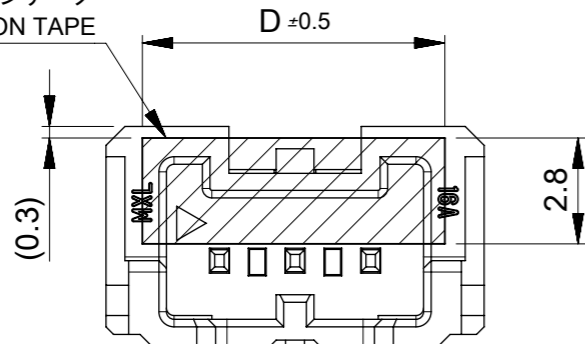
2-5CKT



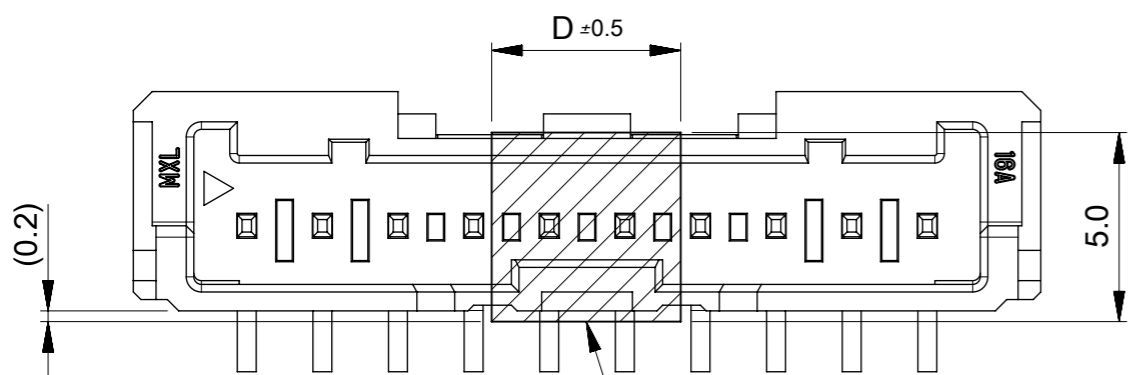
6-16CKT

吸着エリア (カプトンテープ有)
PICK UP AREA (WITH KAPTON TAPE)

カプトンテープ
KAPTON TAPE

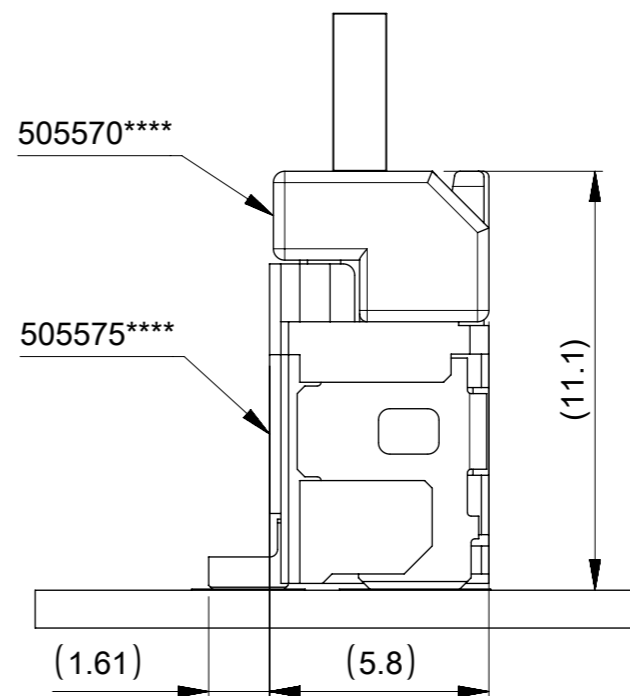


2-3CKT

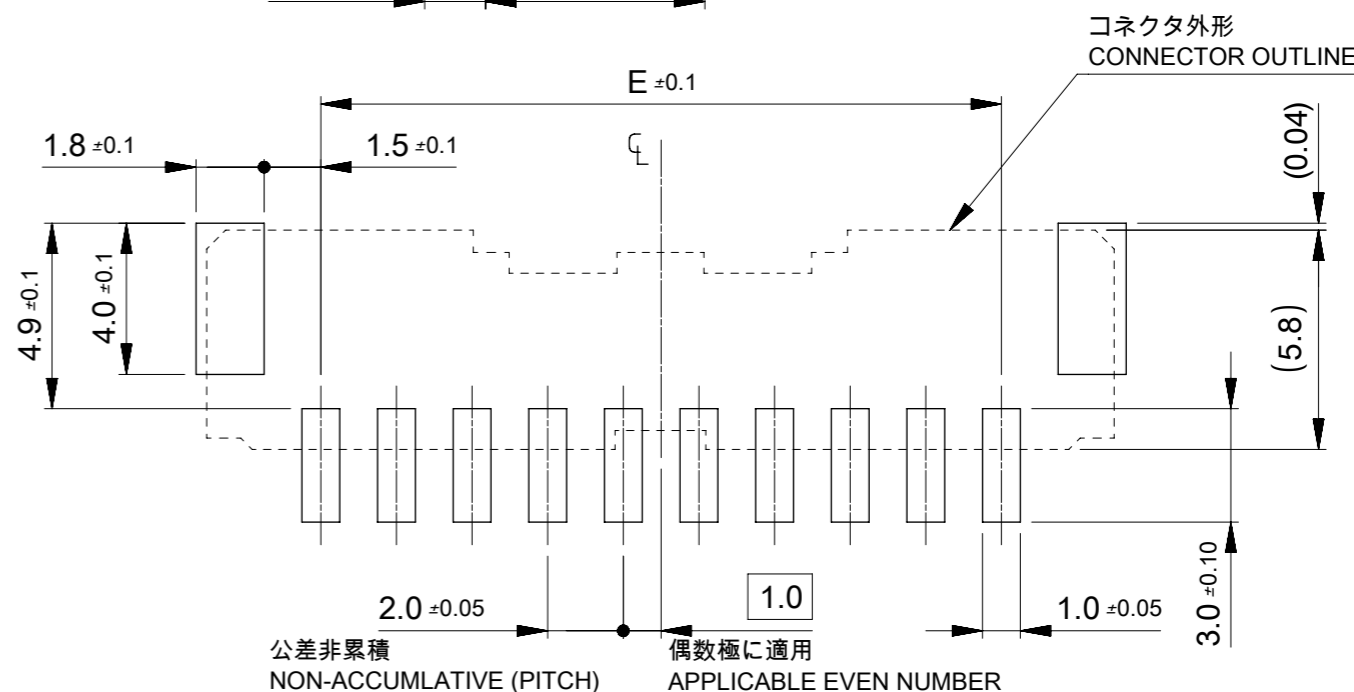


カプトンテープ
KAPTON TAPE

4-16CKT



嵌合寸法
MATED DIMENSION



基板パターンレイアウト (参考)

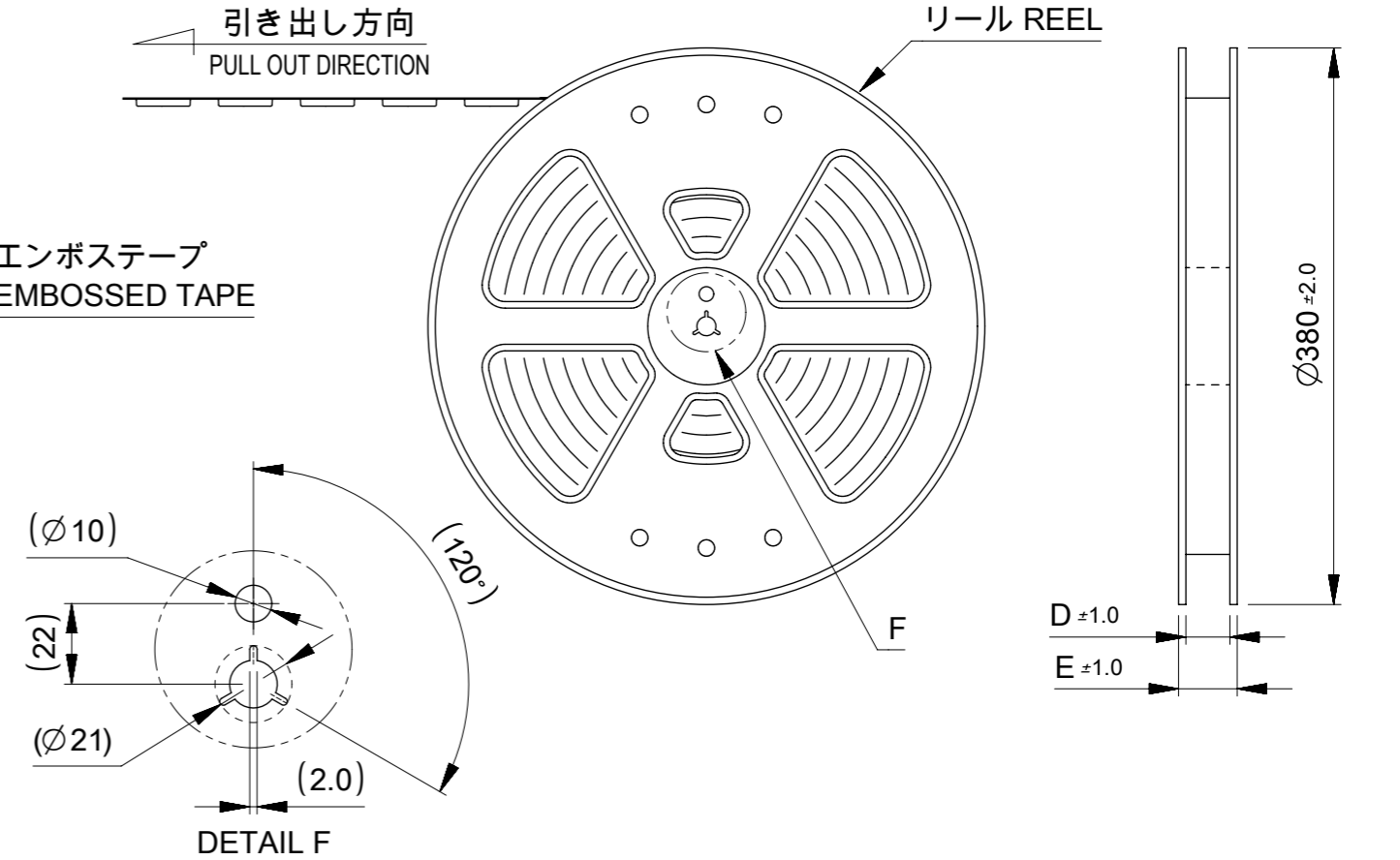
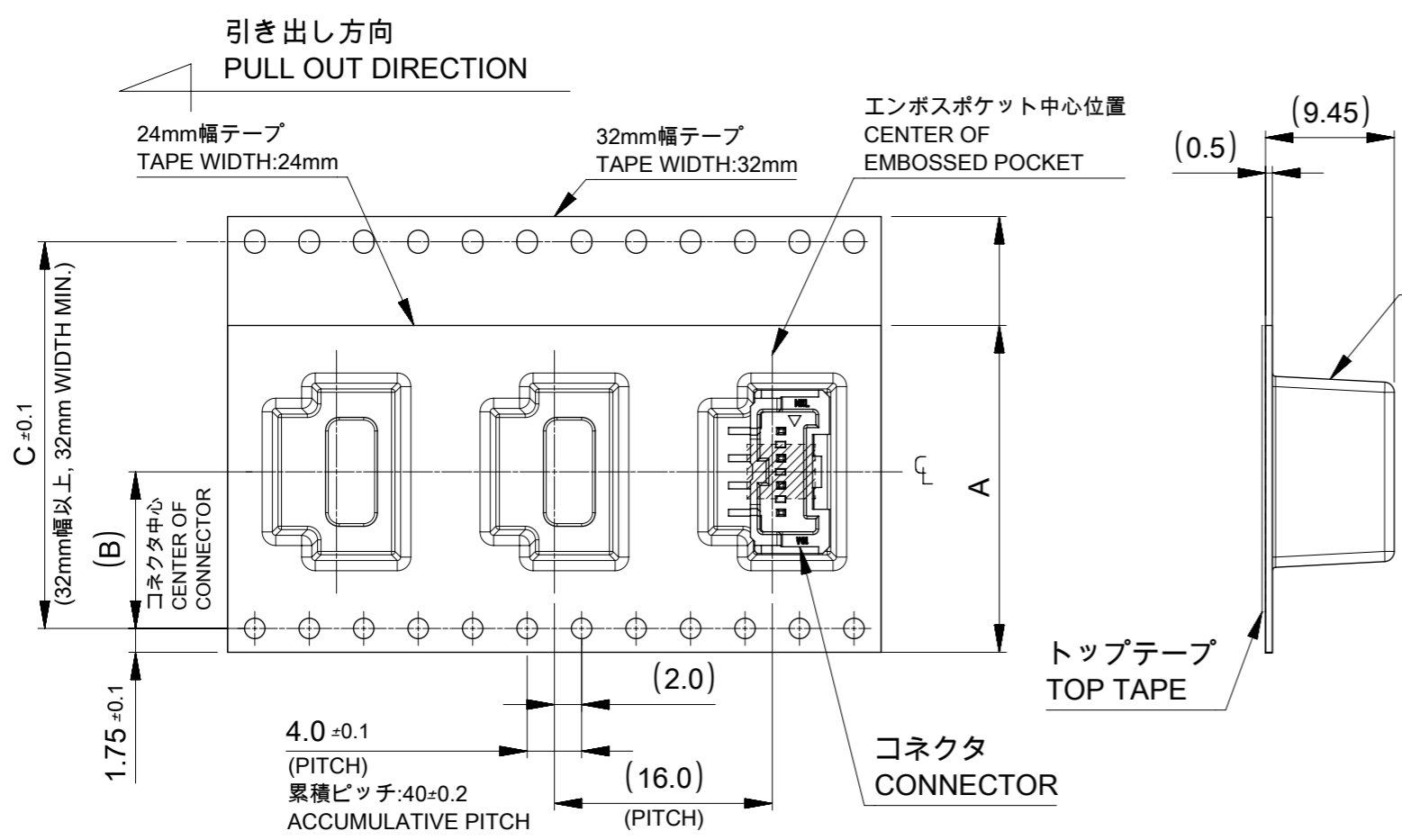
P.W.B. PATTERN LAYOUT (REFERENCE)

(メタルマスク厚み150um, 開口率100%)

(METAL MASK THICKNESS 150um, OPEN APERTURE RATIO 100%)

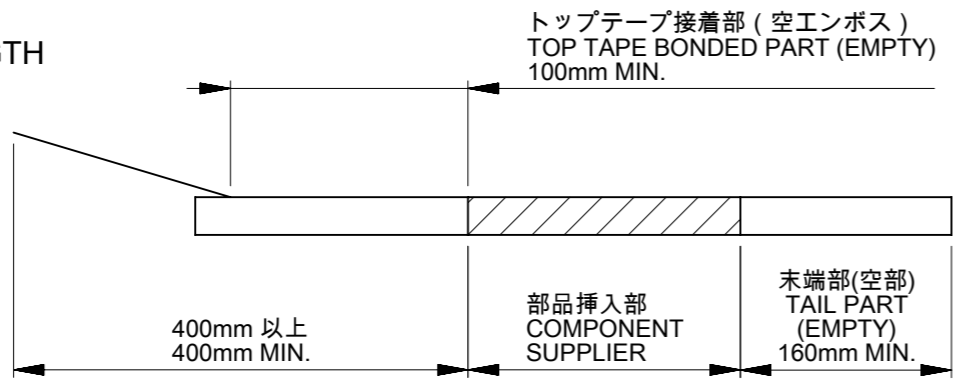
THIS DRAWING CONTAINS INFORMATION THAT IS PROPRIETARY TO MOLEX ELECTRONIC TECHNOLOGIES, LLC AND SHOULD NOT BE USED WITHOUT WRITTEN PERMISSION

EC NO: 617198 DRWN: TENAGASE CHK'D: SAKIYAMA APPR: KOMURAKAMI	2019/05/14	2019/05/16	2019/05/16	GENERAL TOLERANCES (UNLESS SPECIFIED) ANGULAR TOL ± 3.0 ° 4 PLACES ± 3 PLACES ± 2 PLACES ± 0.2 1 PLACE ± 0.25 0 PLACES ± 0.3 DRAFT WHERE APPLICABLE MUST REMAIN WITHIN DIMENSIONS	DIMENSION UNITS	SCALE					
					mm	5:1					
					DRWN BY	DATE	TENAGASE	2016/06/07	MICRO-LOCK PLUS 2.0MM PITCH WIRE TO BOARD PLUG ASSEMBLY ST		
					CHK'D BY	DATE	KOMURAKAMI	2016/06/23			
					APPR BY	DATE	TKANEKO	2016/06/23			
					DRAWING SIZE	THIRD ANGLE PROJECTION	SERIES	MATERIAL NUMBER	CUSTOMER		
					A3		505575	SEE SHEET 1	GENERAL		
							DOCUMENT NUMBER	DOC TYPE	DOC PART	SHEET NUMBER	
							5055750001	PSD	000	2 OF 2	



注記 NOTES

- 製品詳細寸法は製品単体図面を参照してください。
FOR DETAIL OF CONNECTOR DIMENSIONS,
PLEASE SEE THE DRAWING OF CONNECTOR IT SELF (NOT PACKAGED)
- 梱包数量 : 600個
NUMBER OF CONNECTORS : 600PIECES/REEL
- リードテープ長さ
LEAD TAPE LENGTH



4.材料 MATERIAL

キャリアテープ : ポリスチレン(PS)
CARRIER TAPE : POLYSTYRENE (PS)
トップテープ:ポリエステル(PET), その他
TOP TAPE: POLYESTER (PET), OTHER
リール:ポリスチレン(PS)リサイクル材を含む
REEL:POLYSTYREN (PS) RECYCLE MATERIAL CONTAINED

61.4	57.4	52.4	26.2	56 ±0.3	5055751681	5055751680	5055751671	5055751670	16
					5055751581	5055751580	5055751571	5055751570	15
					5055751481	5055751480	5055751471	5055751470	14
49.4	45.4	40.4	20.2	44 ±0.3	5055751381	5055751380	5055751371	5055751370	13
					5055751281	5055751280	5055751271	5055751270	12
					5055751181	5055751180	5055751171	5055751170	11
					5055751081	5055751080	5055751071	5055751070	10
					5055750981	5055750980	5055750971	5055750970	9
37.4	33.4	28.4	14.2	32 ±0.3	5055750881	5055750880	5055750871	5055750870	8
					5055750781	5055750780	5055750771	5055750770	7
29.4	25.4	-	11.5	24 ^{+0.3} _{-0.1}	5055750681	5055750680	5055750671	5055750670	6
					5055750581	5055750580	5055750571	5055750570	5
					5055750481	5055750480	5055750471	5055750470	4
					5055750381	5055750380	5055750371	5055750370	3
					5055750281	5055750280	5055750271	5055750270	2
E	D	C	B	A	ハウジング 黒色 HSG COLOR BLACK	ハウジング ナチュラル HSG COLOR NATURAL	ハウジング 黒色 HSG COLOR BLACK	ハウジング ナチュラル HSG COLOR NATURAL	極数 CIRCUIT
					カプトンテープ有 WITH KAPTON TAPE		カプトンテープ無 WITHOUT KAPTON TAPE		
エンボス梱包 オーダー番号 EMBOSSED PKG ORDER No.									

THIS DRAWING CONTAINS INFORMATION THAT IS PROPRIETARY TO MOLEX ELECTRONIC TECHNOLOGIES, LLC AND SHOULD NOT BE USED WITHOUT WRITTEN PERMISSION

DIMENSION UNITS	SCALE	CURRENT REV DESC: REVISED	
mm	NTS		
GENERAL TOLERANCES (UNLESS SPECIFIED)			
ANGULAR TOL	±	3.0°	
4 PLACES	±		
3 PLACES	±		
2 PLACES	±	0.2	
1 PLACE	±	0.2	
0 PLACES	±	0.2	
DRAFT WHERE APPLICABLE MUST REMAIN WITHIN DIMENSIONS		THIRD ANGLE PROJECTION	DRAWING SERIES
			A3-SIZE 505575
		MATERIAL NUMBER	CUSTOMER
		SEE CHART	GENETRAL
		DOCUMENT NUMBER	DOC TYPE DOC PART REVISION
		5055750001	PSD 001 B
		SHEET NUMBER	
		1 OF 1	