

FINISH TYPE	"0" TIN	"1" 15MICROINCH GOLD	"2" 30MICROINCH GOLD				
CKT	HDR ASSY PN	HDR ASSY PN	HDR ASSY PN	A	B	C	D
2	2182160220	2182160221	2182160222	7.16	NA	2.95	11.20
4	2182160420	2182160421	2182160422	10.16	3.00	2.95	14.20
6	2182160620	2182160621	2182160622	13.16	6.00	2.95	17.20
8	2182160820	2182160821	2182160822	16.16	9.00	7.70	20.20

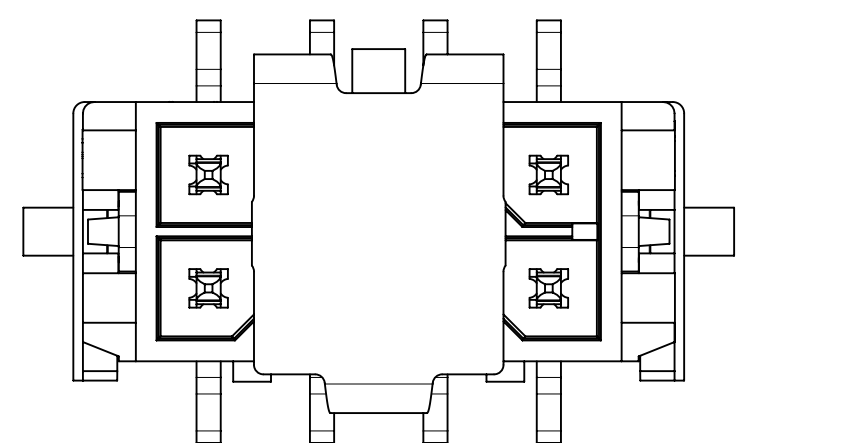
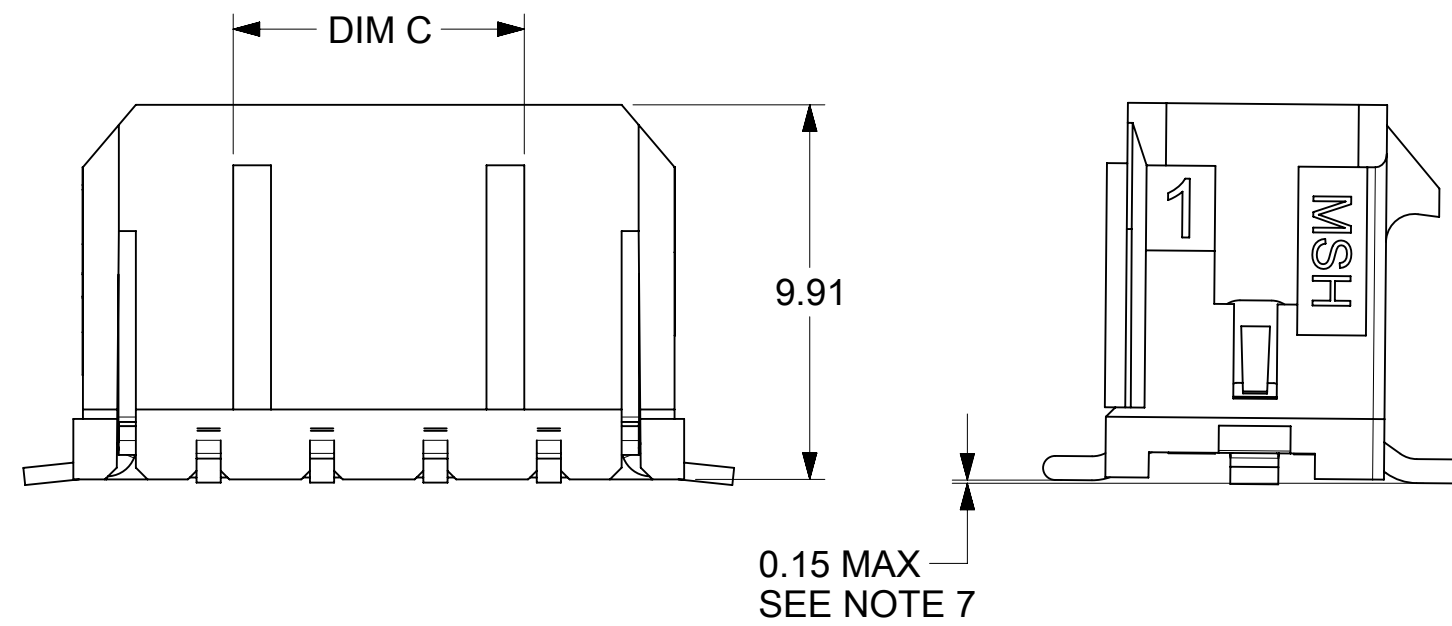
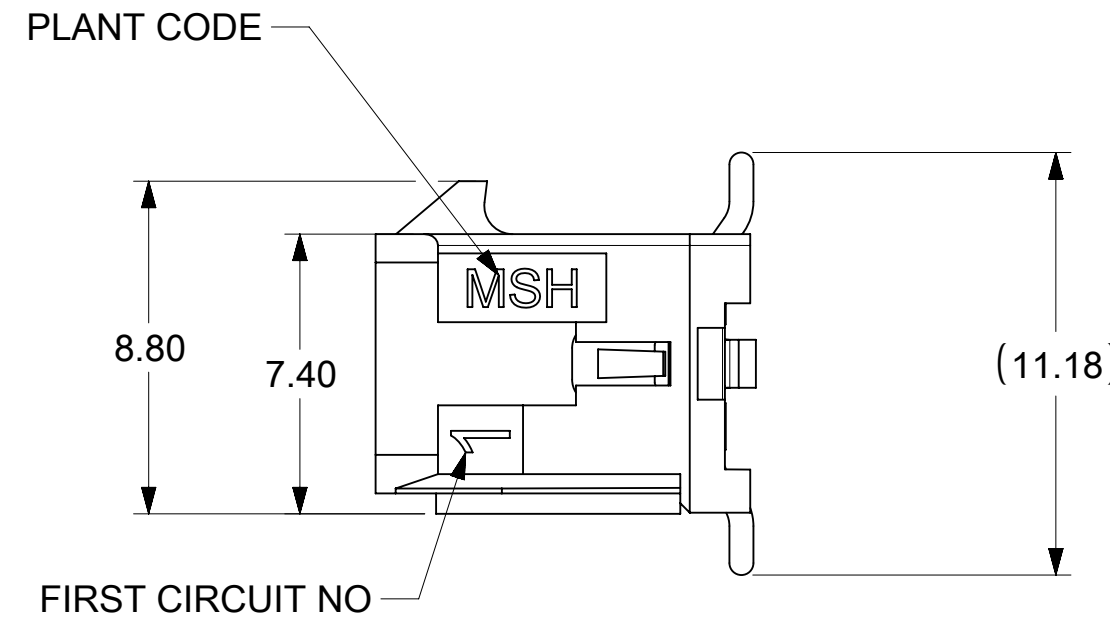
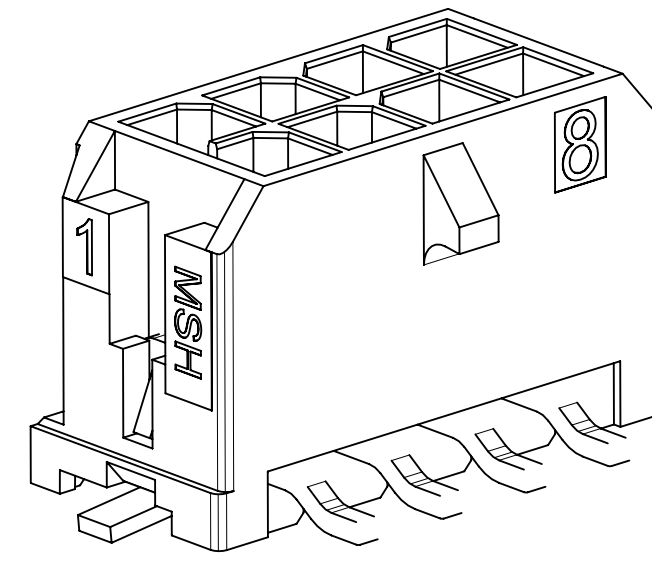
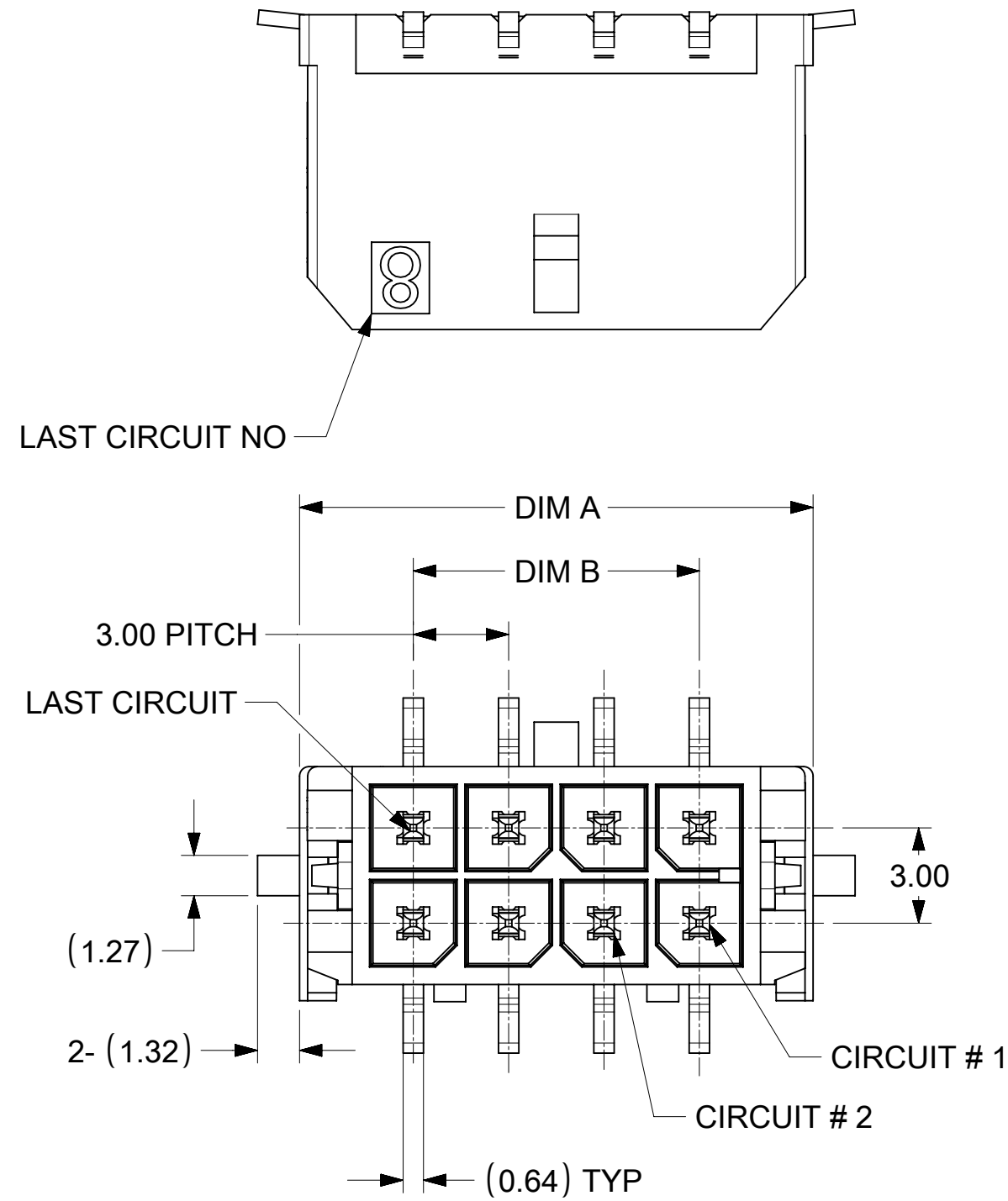
**LEGEND**

SERIES NO. 218216 - \* \* \* \*

CKT NO. \_\_\_\_\_

OPTION  
 0: RIGHT ANGLE WITH NAIL  
 1: RIGHT ANGLE WITH CLIP  
 2: VERTICAL WITH NAIL  
 3: VERTICAL WITH CLIP

PLATING OPTION  
 0: TIN  
 1: 15MICROINCH AU  
 2: 30MICROINCH AU

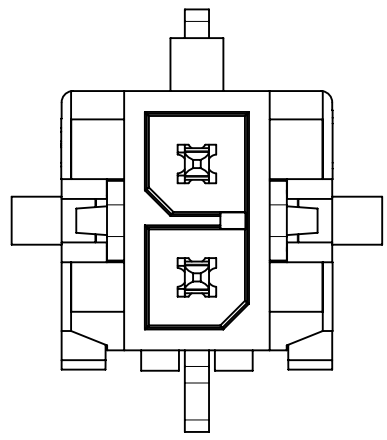


SHOWN WITH DISPOSABLE CAP (43555-000\*)  
SEE NOTE 5

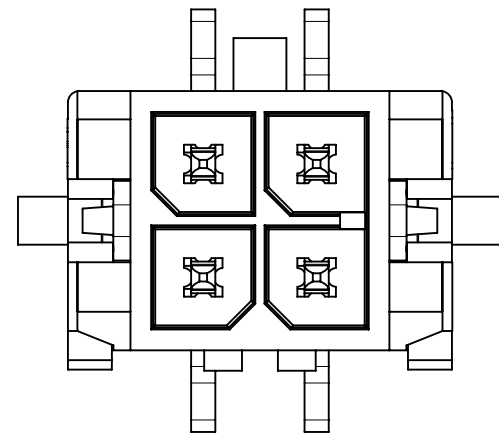
**NOTES:**

- HOSING MATERIAL: GLASS FILLED LIQUID CRYSTAL POLYMER, UL 94V-0, COLOR: BLACK  
TERMINAL MATERIAL: HIGH COPPER ALLOY
- FINISH:  
 OPTION "0": REFLOW MATTE TIN OVER NICKEL  
 OPTION "1": SELECT 15MICROINCH GOLD AND SELECT MATTE TIN OVER NICKEL.  
 OPTION "2": SELECT 30MICROINCH GOLD AND SELECT MATTE TIN OVER NICKEL.
- PRODUCT SPECIFICATION : 2064600000-PS
- PRODUCT TEST SUMMARY: 2064600000-TS
- T&R PACK : 2182160000-PK
- MATE WITH RECEPTACLE 206461
- THE COPLANARITY DIMENSION IS ESTABLISHED BY PLACING THE ASSEMBLY ON A FLAT SURFACE. THE DISTANCE FROM THAT SURFACE TO THE BOTTOM OF ANY TERMINAL OR NAIL MUST NOT EXCEED 0.15
- THIS PART CONFORMS TO CLASS 'B' REQUIREMENTS OF COSMETIC SPECIFICATION PS-45499-002.

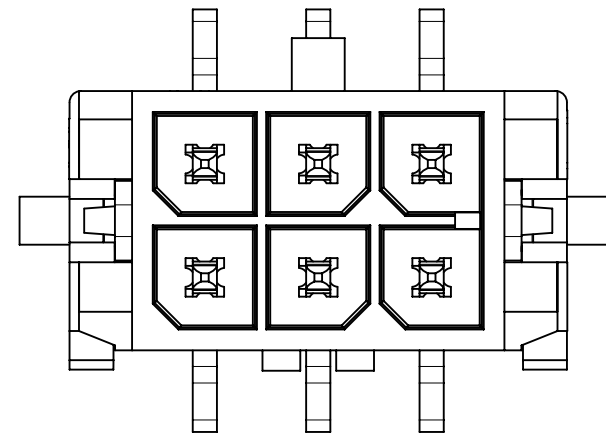
THIS DRAWING CONTAINS INFORMATION THAT IS PROPRIETARY TO MOLEX ELECTRONIC TECHNOLOGIES, LLC AND SHOULD NOT BE USED WITHOUT WRITTEN PERMISSION									
DIMENSION UNITS	SCALE	CURRENT REV DESC:			<b>molex</b>				
mm	NTS								
GENERAL TOLERANCES (UNLESS SPECIFIED)					MICRO-FIT PLUS DUAL ROW VERTICAL HEADER SMT HEADER WITH NAIL				
ANGULAR TOL	±	3.0°							
4 PLACES	±		EC NO: 724761	2021/04/21	PRODUCT CUSTOMER DRAWING				
3 PLACES	±		DRWN: ALU002	2022/10/17					
2 PLACES	±	0.25	CHK'D: XQZHANG	2022/10/17	DOCUMENT NUMBER: 2182160020-SD				
1 PLACE	±	0.36	APPR: XQZHANG	2022/10/17					
0 PLACES	±		INITIAL REVISION:		DOC TYPE: PSD	DOC PART: 000	REVISION: A		
DRAFT WHERE APPLICABLE MUST REMAIN WITHIN DIMENSIONS		THIRD ANGLE PROJECTION	DRAWING	SERIES	MATERIAL NUMBER	CUSTOMER	SHEET NUMBER		
			A2-SIZE	218216	SEE TABLE	GENERAL MARKET	1 OF 2		



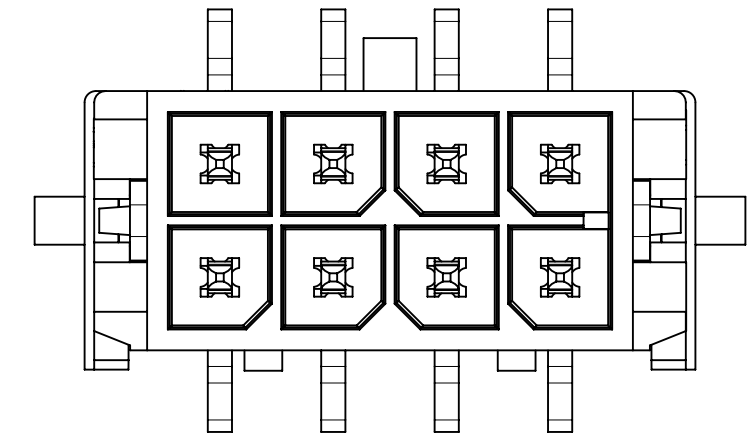
2CKT



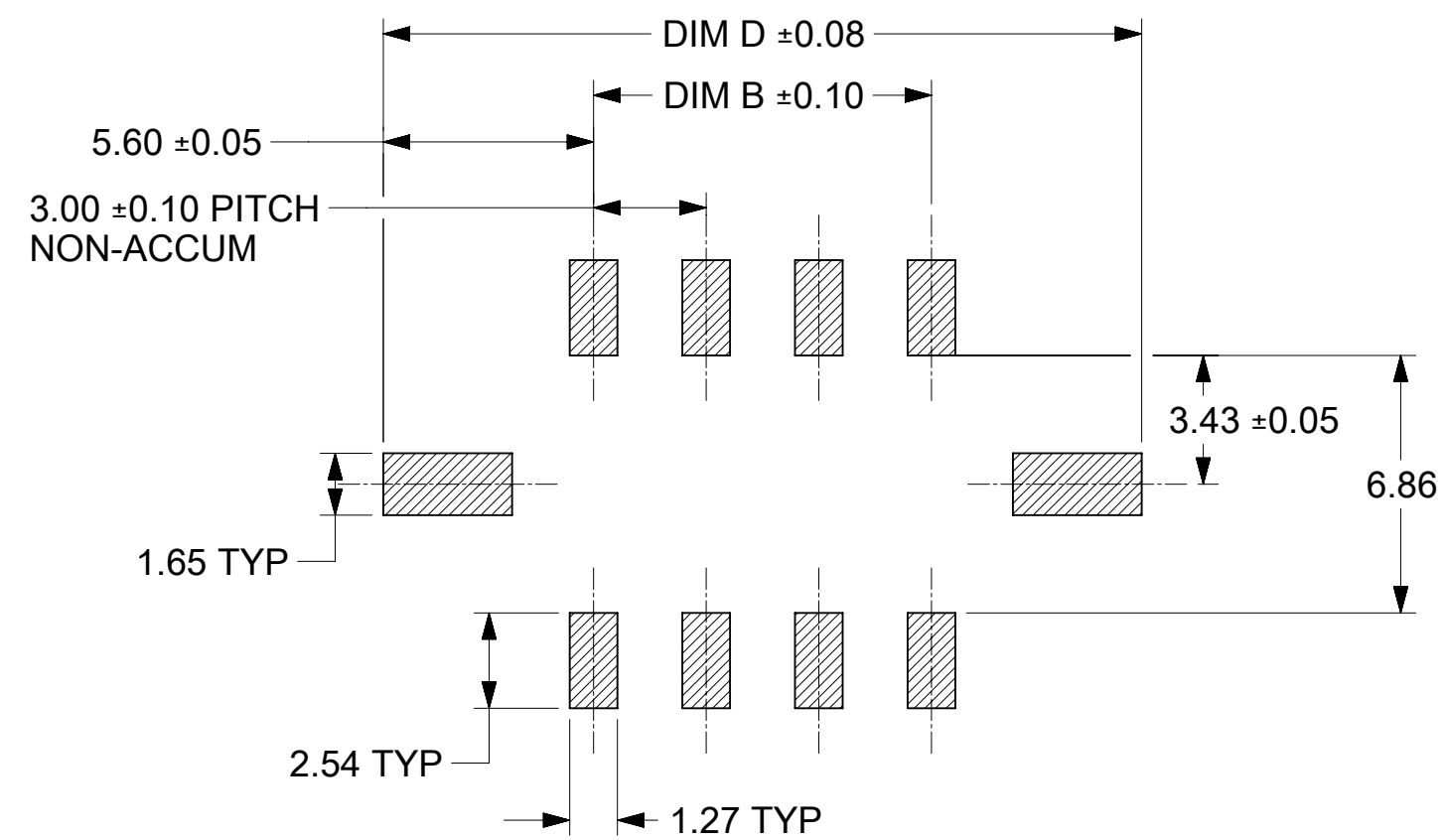
4CKT



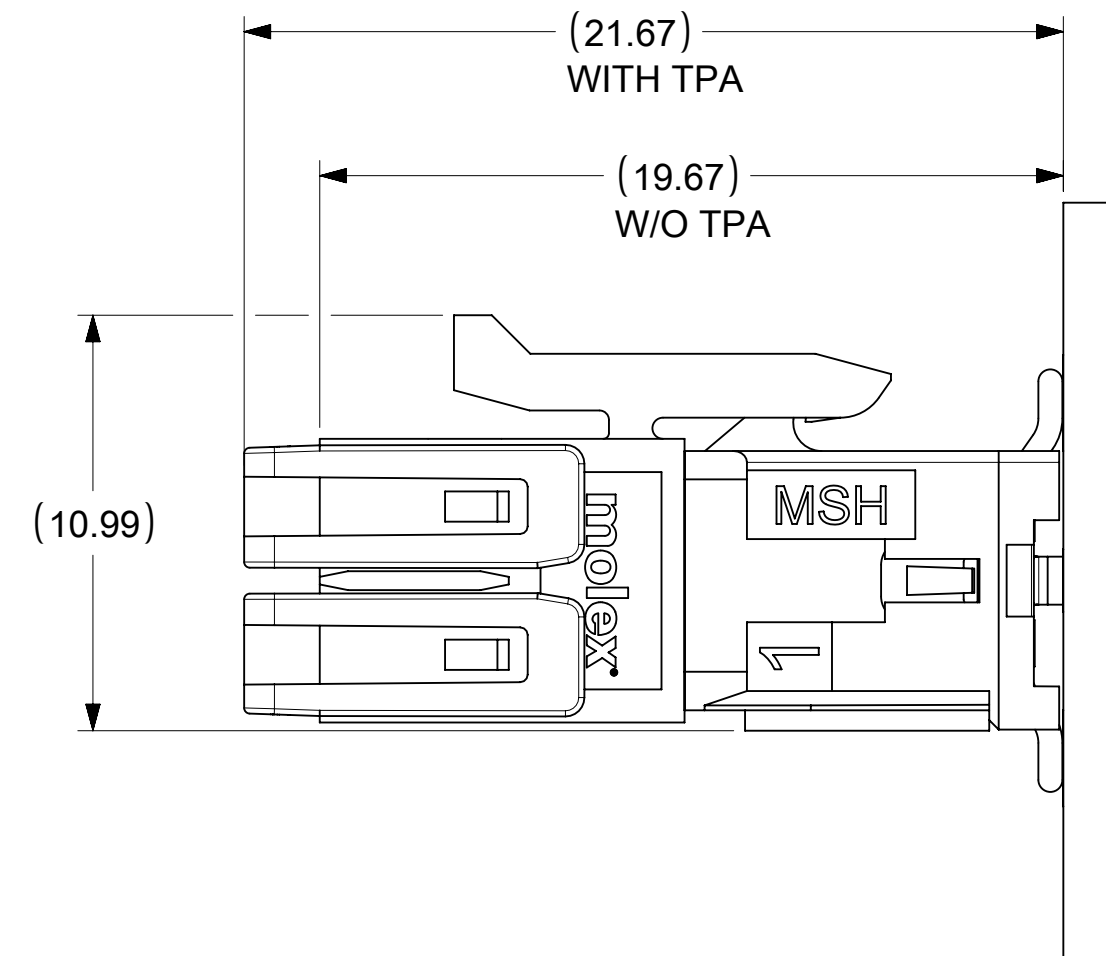
6CKT



8CKT



PCB LAYOUT: COMPONENT SIDE  
RECOMMENDED THICKNESS : 1.60 ±0.05MM



THIS DRAWING CONTAINS INFORMATION THAT IS PROPRIETARY TO MOLEX ELECTRONIC TECHNOLOGIES, LLC AND SHOULD NOT BE USED WITHOUT WRITTEN PERMISSION									
DIMENSION UNITS	SCALE	CURRENT REV DESC:							
mm	NTS								
GENERAL TOLERANCES (UNLESS SPECIFIED)					<b>MICRO-FIT PLUS DUAL ROW VERTICAL HEADER SMT HEADER WITH NAIL</b>				
ANGULAR TOL	±	3.0°							
4 PLACES	±		EC NO: 724761	2021/04/21	<b>PRODUCT CUSTOMER DRAWING</b>				
3 PLACES	±		DRWN: ALU002	2022/10/17					
2 PLACES	±	0.25	CHK'D: XQZHANG	2022/10/17	DOCUMENT NUMBER: <b>2182160020-SD</b> DOC TYPE: PSD    DOC PART: 000    REVISION: <b>A</b>				
1 PLACE	±	0.36	APPR: XQZHANG	2022/10/17					
0 PLACES	±		INITIAL REVISION:		MATERIAL NUMBER: SEE TABLE    CUSTOMER: GENERAL MARKET    SHEET NUMBER: 2 OF 2				
DRAFT WHERE APPLICABLE MUST REMAIN WITHIN DIMENSIONS		THIRD ANGLE PROJECTION		DRAWING: A2-SIZE					