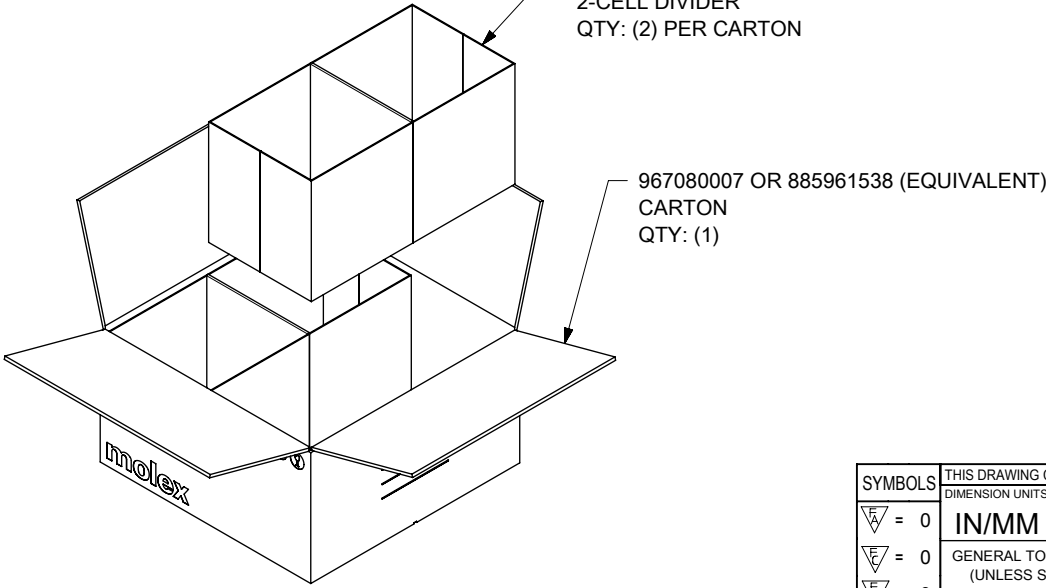
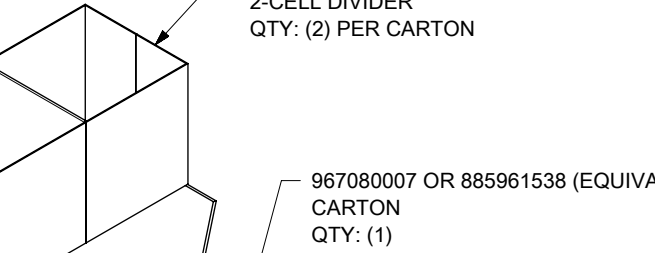
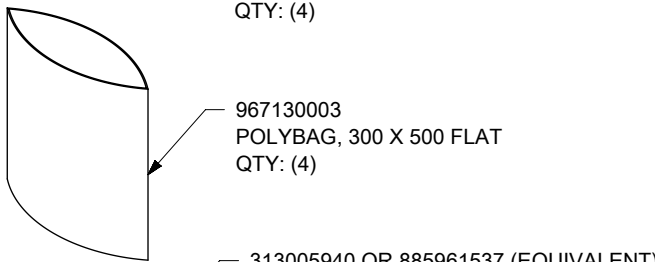
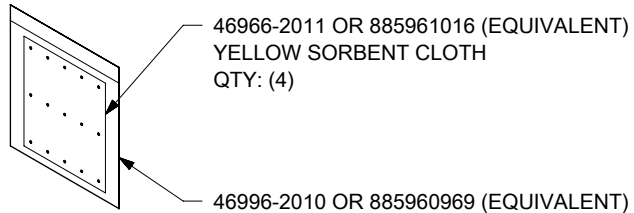


6 5 4 3 2 1

CKTS	PART NUMBER	PARTS PER BAG	BAGS PER CARTON	MOISTURE BAGS PER CARTON	PARTS PER CARTON (DU)
2	1727080*02	1400	4	4	5600
4	1727080*04	1100	4	4	4400
6	1727080*06	800	4	4	3200
8	1727080*08	600	4	4	2400
10	1727080*10	500	4	4	2000
12	1727080*12	400	4	4	1600



NOTES - PACKAGING PROCEDURE

1. FOLD AND TAPE BOTTOM FLAPS OF CARTON WITH 2" WIDE TAPE PER ES-40000-7013. TAPE SHOULD EXTEND UP SIDES OF CARTON AT LEAST 76 MM (3 INCHES).
2. FOLD AND INSERT (2) 2-CELL CORRUGATED DIVIDERS INTO CARTON AS SHOWN.
3. POLYBAGS TO BE FILLED WITH QUANTITY OF PARTS AS SPECIFIED PER CHART.
4. (1) BAG OF PARTS IS TO BE INSERTED INTO EACH CELL OF CARTON.
5. PARTS ARE TO BE MOISTURIZED PER AS-45499-001 WITH PAD AND BAG METHOD.
6. LAY MOISTURIZATION BAG DIRECTLY ON TOP OF PARTS INSIDE POLYBAG AND CLOSE POLYBAG EITHER BY HEAT SEALING OR WITH TWIST LOCK P/N 313017300.
7. CLOSE TOP FLAPS OF CARTON AND TAPE. TAPE SHOULD EXTEND DOWN SIDES OF CARTON AT LEAST 76 MM (3 INCHES).
8. ADD LABELS TO CARTONS AS REQUIRED PER ES-40000-7012.
9. FOR LARGER SHIPMENTS CARTONS MAY BE LAYERED ON A 1200 X 800 PALLET WITH (6) CARTONS PER LAYER AND A MAXIMUM OF (4) LAYERS.
10. CARTONS ON PALLET TO BE UNITIZED WITH BANDING AND STRETCH FILM PER PK-31301-625.

THIS DRAWING CONTAINS INFORMATION THAT IS PROPRIETARY TO MOLEX ELECTRONIC TECHNOLOGIES, LLC AND SHOULD NOT BE USED WITHOUT WRITTEN PERMISSION											
SYMBOLS		DIMENSION UNITS		SCALE		CURRENT REV DESC: DLT 14-24CKT DETAIL					
▽ = 0		IN/MM		1:10		<p>EC NO: 178954</p> <p>DRWN: SGANGADHARDO 2018/07/26</p> <p>CHK'D: SGANGADHARDO 2018/07/27</p> <p>APPR: ISHWARG 2018/07/27</p> <p>INITIAL REVISION:</p> <p>DRWN: TGREGORI 2015/06/10</p> <p>APPR: RHODGE 2015/06/16</p>					
▽ = 0		GENERAL TOLERANCES (UNLESS SPECIFIED)									
▽ = 0		ANGULAR TOL ± °									
▽ = 0		4 PLACES ±									
▽ = 0		3 PLACES ±									
▽ = 0		2 PLACES ±									
▽ = 0		1 PLACE ±									
▽ = 0		0 PLACES ±									
▽ = 0		DRAFT WHERE APPLICABLE MUST REMAIN WITHIN DIMENSIONS				THIRD ANGLE PROJECTION		DRAWING		SERIES	
▽ = 0						A-SIZE		172708			
						PACKAGING SPECIFICATION					
						02 TO 12 CKT DUAL ROW MINI-FIT TPA2.0 RECPT HSGS					
						PACKAGING DESIGN DRAWING					
						DOCUMENT NUMBER		DOC TYPE		DOC PART	
PK-172708-0000		PDD		000		D2					
MATERIAL NUMBER		CUSTOMER		SHEET NUMBER							
SEE TABLE		GENERAL MARKET		1 OF 1							

DOCUMENT STATUS	P1	RELEASE DATE	2018/07/27	11:32:00
-----------------	----	--------------	------------	----------

6 5 4 3 2 1

FORMAT: master-db-prod-A
REVISION: H
DATE: 2018/01/18