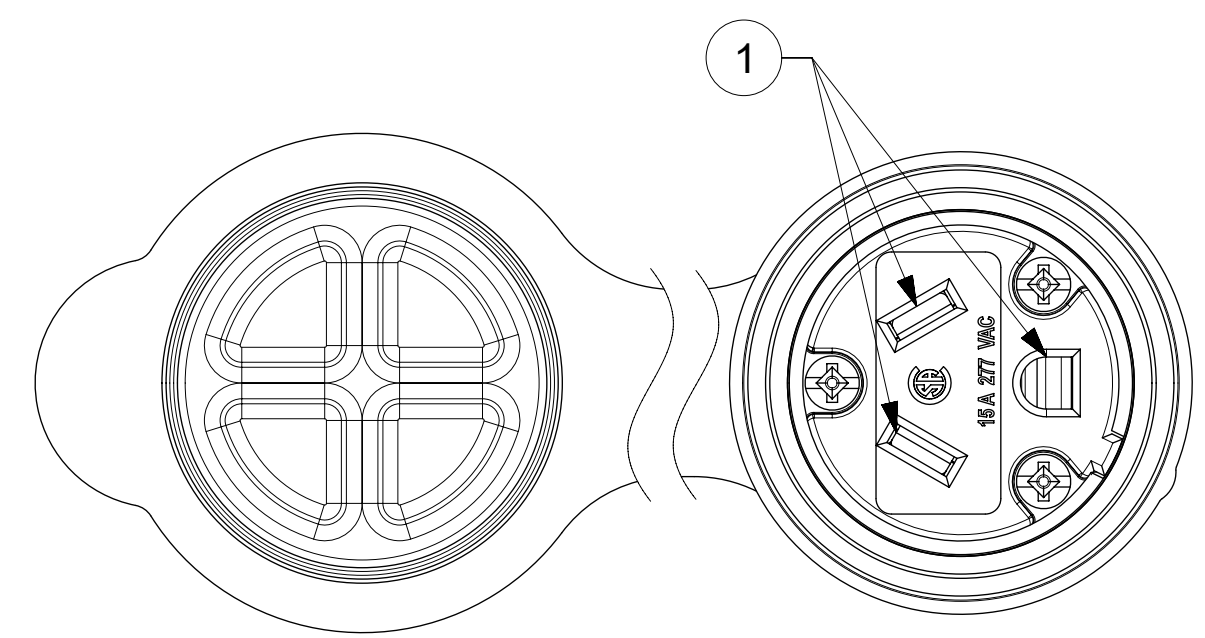
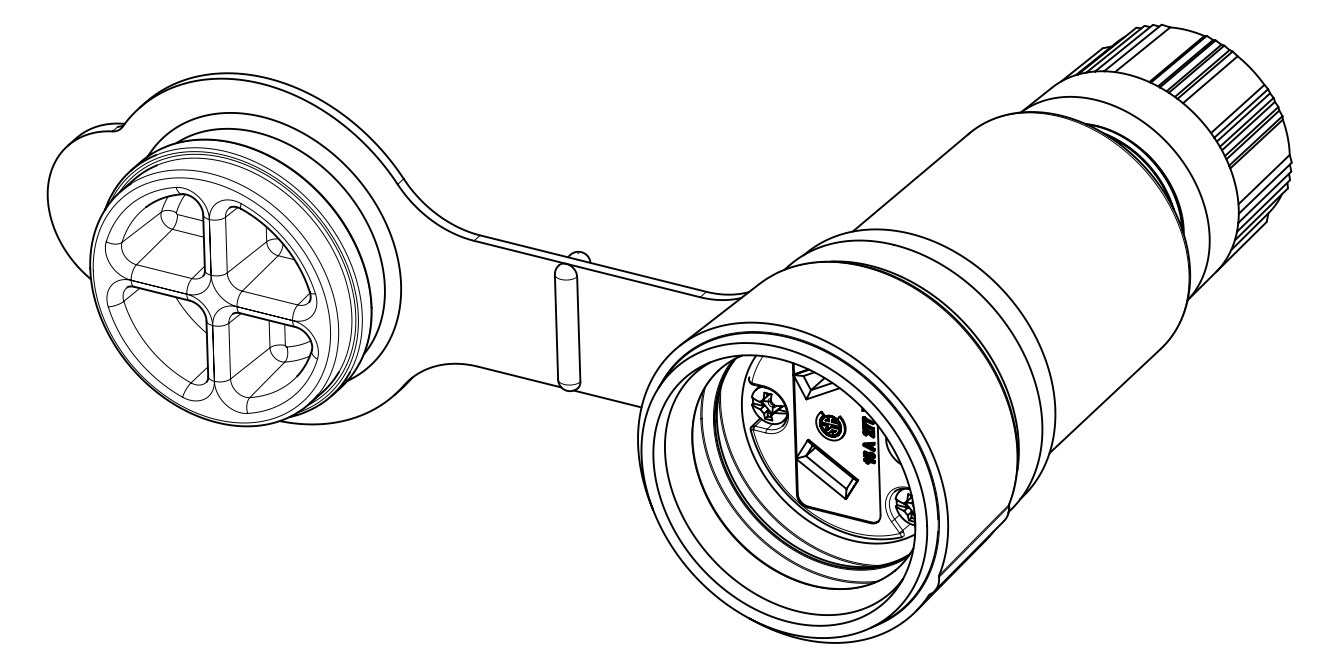
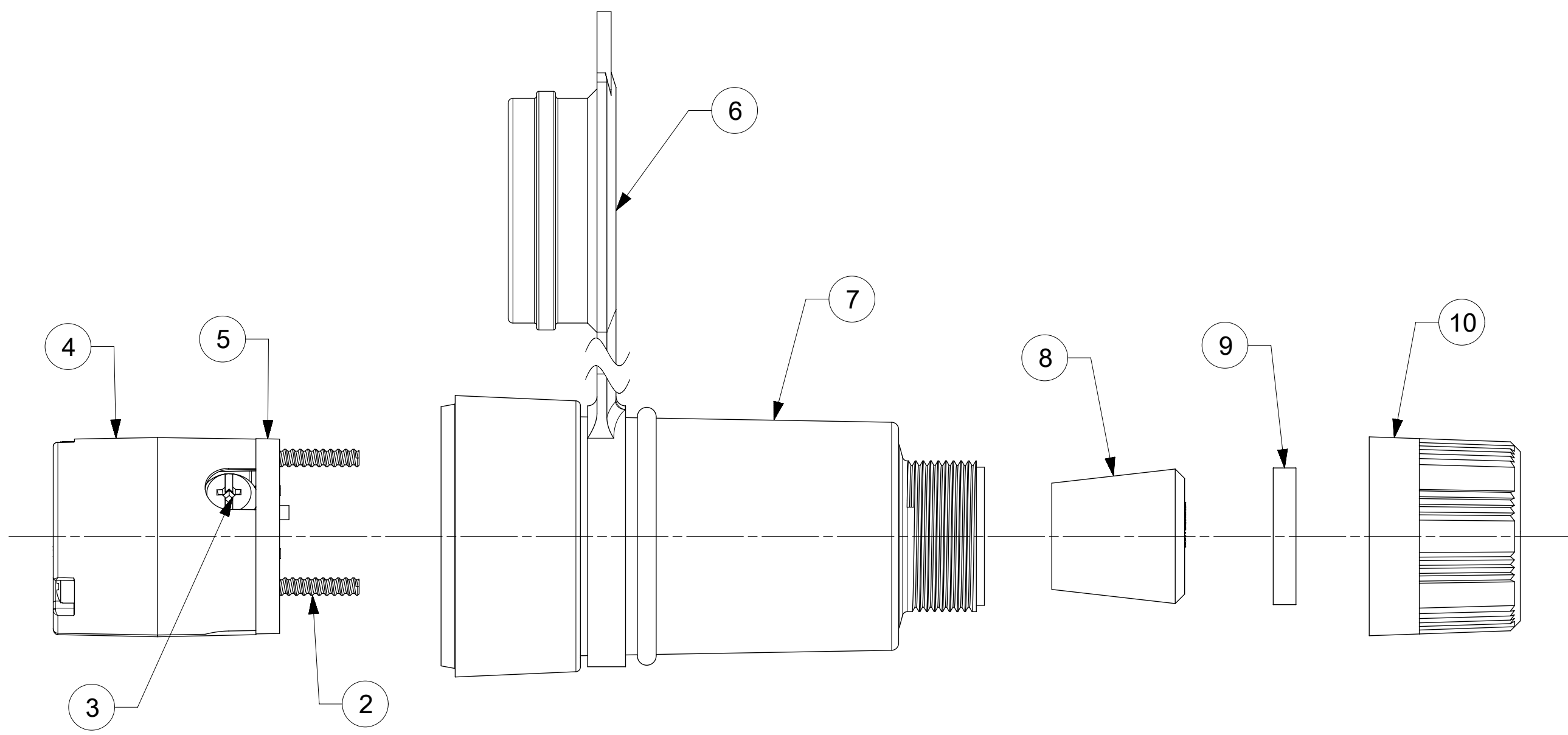
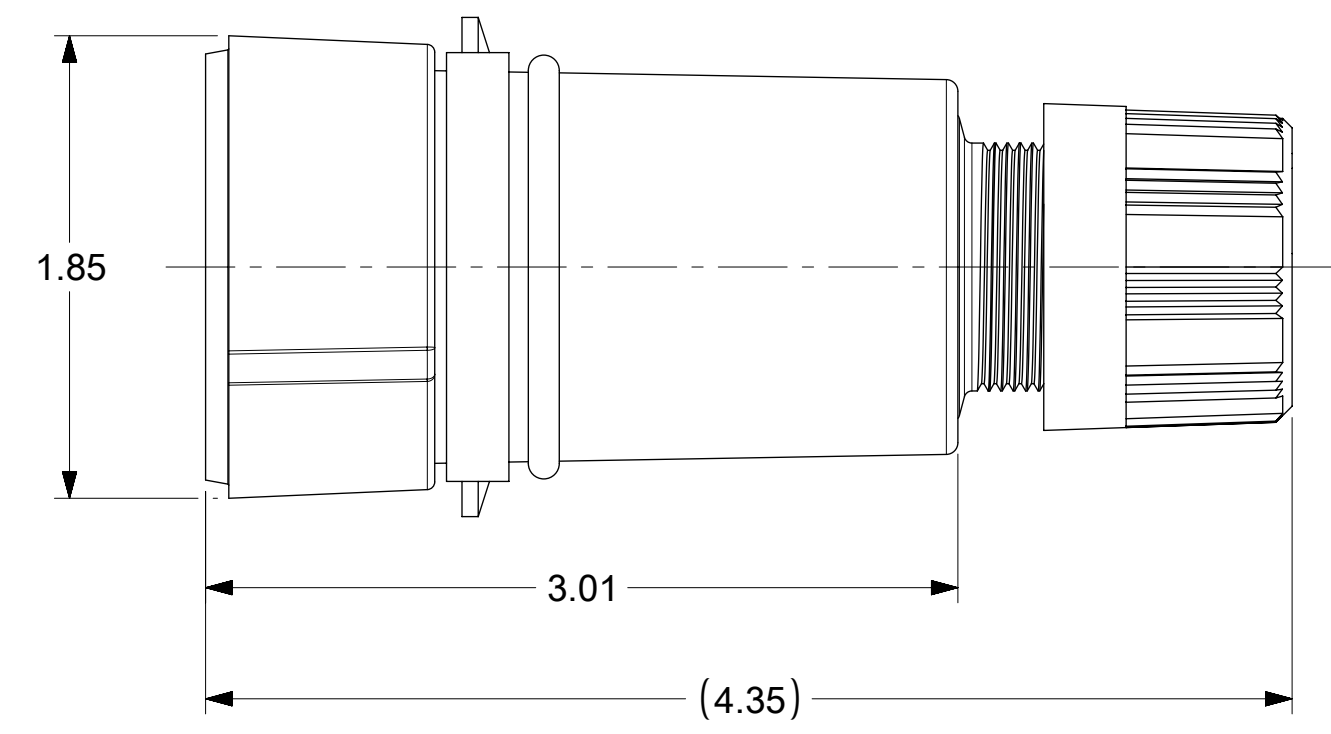


ORDER NO.	WOODHEAD NO.	COLOR
130146-0196	15W34-P	YELLOW



FACE VIEW



ITEM NO.	DESCRIPTIONS	MATERIAL	QTY.
1	BLADES	BRASS	3
2	RETAINING SCREWS	STAINLESS STEEL	3
3	TERMINAL SCREWS	BRASS, ZINC PLATED	3
4	INSERT	NYLON	1
5	TERMINAL COVER	POLYCARBONATE	1
6	FLIP COVER	SILICON	1
7	HOUSING	RUBBER WITH NYLON THREAD	1
8	GROMMETS	RUBBER	5
9	FRICTION RING	NYLON	1
10	COMPRESSION NUT	NYLON	1

NOTES:
 1. SEE INSTRUCTION SHEET NUMBER 1301414770 FOR PRODUCT SPECIFICATION.
 2. CABLE RANGE FROM 0.375" TO 0.625"

SYMBOLS		THIS DRAWING CONTAINS INFORMATION THAT IS PROPRIETARY TO MOLEX ELECTRONIC TECHNOLOGIES, LLC AND SHOULD NOT BE USED WITHOUT WRITTEN PERMISSION	
▽ = 0	DIMENSION UNITS	SCALE	CURRENT REV DESC: RELEASED
▽ = 0	INCH	NTS	
▽ = 0	GENERAL TOLERANCES (UNLESS SPECIFIED)		
▽ = 0	ANGULAR TOL	± 0.5°	
▽ = 0	4 PLACES	±	EC NO: 613681
▽ = 0	3 PLACES	± 0.005	DRWN: ABABU01 2018/11/13
▽ = 0	2 PLACES	± 0.01	CHK'D: DNGUYEN62 2019/03/13
▽ = 0	1 PLACE	± 0.02	APPR: HKNEELAND 2019/03/21
□ = 0	0 PLACES	±	INITIAL REVISION:
■ = 0	DRAFT WHERE APPLICABLE MUST REMAIN WITHIN DIMENSIONS		DRWN: ABABU01 2018/11/13
▽ = 0	THIRD ANGLE PROJECTION		APPR: HKNEELAND 2019/03/21
	DRAWING		SERIES
	C-SIZE		130146
DOCUMENT NUMBER		DOC TYPE	DOC PART
1301460196		PSD	000
MATERIAL NUMBER		CUSTOMER	SHEET NUMBER
SEE TABLE		GENERAL MARKET	1 OF 1



WATERTITE CONNECTOR, 7-15R

PRODUCT CUSTOMER DRAWING