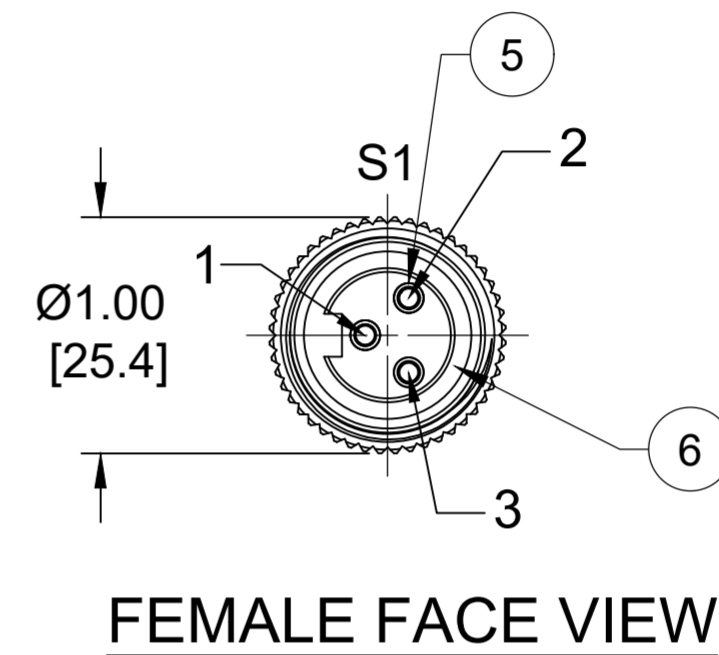
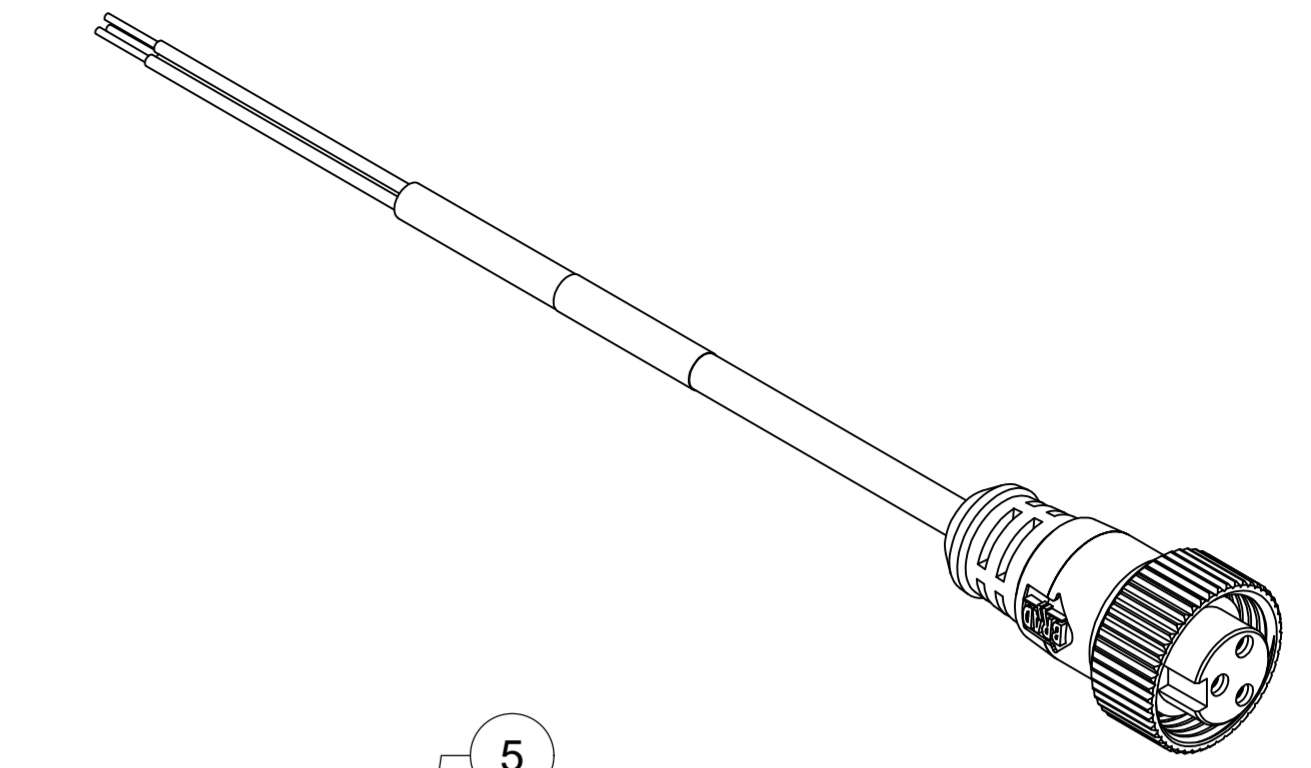
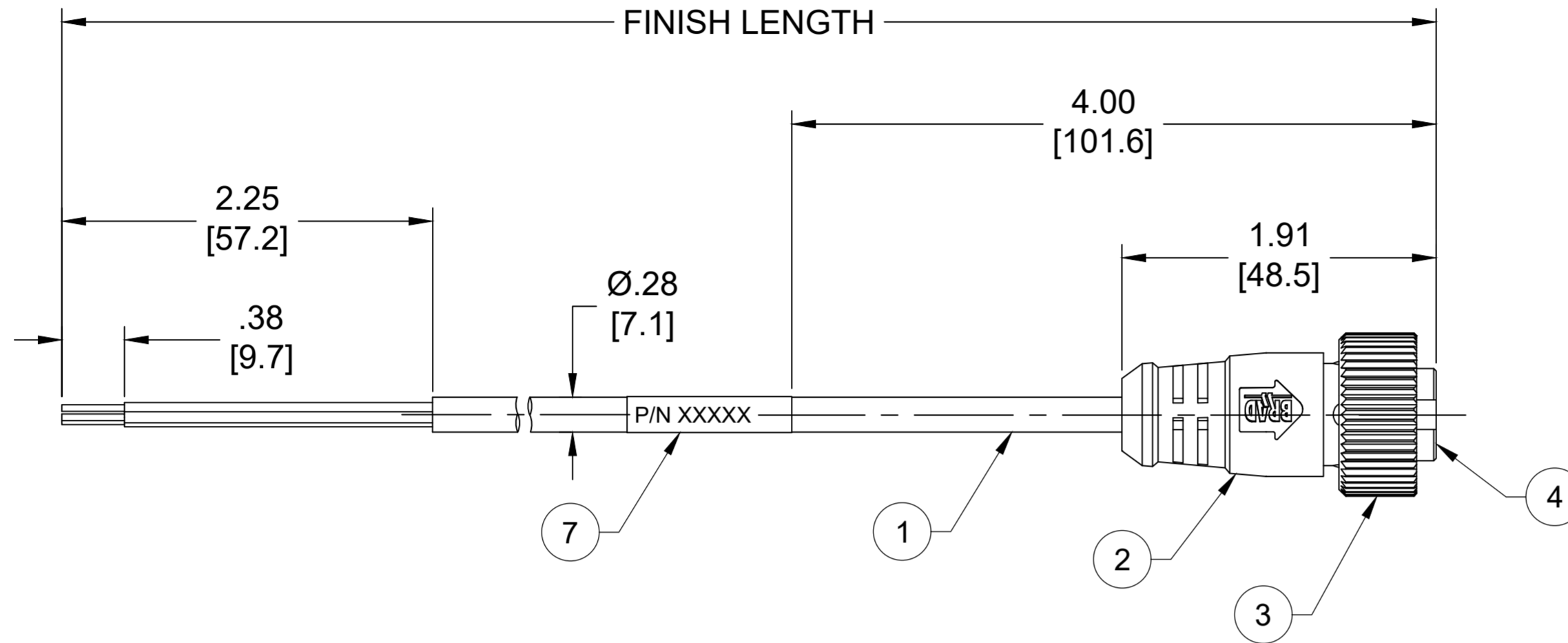


PART NO.	ENGINEERING NO.	FINISHED LENGTH
1300060298	103000A03F030	3FT [0.9M]
1300060308	103000A03F150	15FT [4.6M]
1300060313	103000A03F250	25FT [7.6M]



NOTES:

- MATERIAL: AS NOTED
- FINISH: AS NOTED
- ELECTRICAL:
VOLTAGE : 300V
CURRENT: 10A
- TEMP RATING: -20° TO +105°C
- PROTECTION: IP67 (WHEN MATED)
- COUPLING THREAD: 7/8"-16UN
- UL RECOGNIZED FILE: E152210
CSA CERTIFIED FILE: LR6837
- ALL DIMENSIONS ARE FOR REFERENCE UNLESS TOLERANCED OR NOTED OTHERWISE

S1	
GREEN-GND	1
RED WITH BLACK	2
RED WITH WHITE	3

WIRING DIAGRAM

PART NUMBER LEGEND

103000A03F030

CABLE LENGTH
F050 = 5 FEET
F100 = 10 FEET
F500 = 50 FEET

CABLE LENGTH TOLERANCES

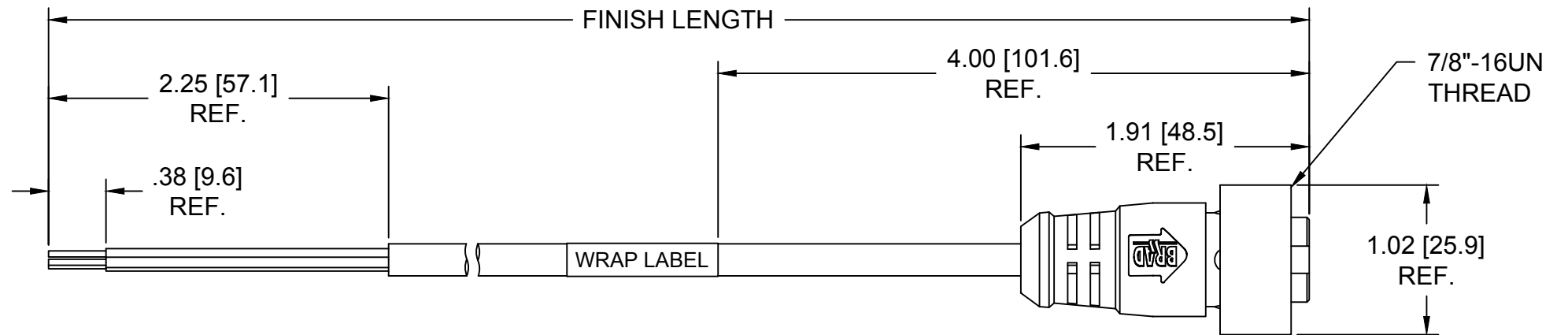
<.3M [1FT]:	+19mm-0 [+.75in-0]
.3 - .9M [1 - 3FT]:	+44.5mm-0 [+1.75in-0]
.9 - 1.8M [3 - 6FT]:	+55.6mm-0 [+2.19in-0]
1.8 - 3.7M [6 - 12FT]:	+88.9mm-0 [+3.50in-0]
3.7 - 7.3M [12 - 24FT]:	+165.1mm-0 [+6.50in-0]
7.3-14.6M [24 - 48FT]:	+317.5mm-0 [+12.50in-0]
14.6 - 30.5M [48-100FT]:	+622.3mm-0 [+24.50in-0]
OVER 30M [100FT]	+2% OF FINISHED LENGTH

ITEM	COMPONENT	MATERIAL	FINISH
7	WRAP LABEL	VINYL	BLACK/YELLOW
6	FRICTION RING	NYLON	WHITE
5	CONTACT SOCKET	COPPER ALLOY	GOLD OVER NICKEL
4	INSERT	TPE	YELLOW
3	COUPLING NUT	ZINC DIE CAST	BLACK-E-COAT
2	OVERMOLD	TPE	YELLOW
1	CABLE, 18 AWG	PVC	YELLOW

FUNCTIONAL SYMBOLS FA=0 FC=0 FP=0	THIS DRAWING CONTAINS INFORMATION THAT IS PROPRIETARY TO MOLEX ELECTRONIC TECHNOLOGIES, LLC AND SHOULD NOT BE USED WITHOUT WRITTEN PERMISSION		CURRENT REV DESC: ITEM# 2 & 4 WERE PVC.ITEM #7 WAS PLASTIC FILM. ADDED ITEM #6, UL NUMBER, PN LEGEND & TOL CHART. MODIFIED PN CHART.	
	DIMENSION UNITS INCH/MM	SCALE NTS	EC NO: 702709	
GENERAL TOLERANCES (UNLESS SPECIFIED)		DRWN: ABENJAMINLW 2021/05/20		
mm INCH		CHK'D: RSTONE 2022/04/11		
4 PLACES ±--- ±---		APPR: BWOODMAN 2022/04/16		
3 PLACES ±--- ±---		INITIAL REVISION:		
2 PLACES ±--- ±---		DRWN: LHARTMAN 2009/12/29		
1 PLACE ±--- ±---		APPR: JFMURPHY 2010/01/05		
0 PLACES ±--- ±---		SERIES 130006		
ANGULAR TOL ± --- °		MATERIAL NUMBER SEE CHART		
DRAFT WHERE APPLICABLE MUST REMAIN WITHIN DIMENSIONS		THIRD ANGLE PROJECTION 		
		DRAWING C-SIZE		
		CUSTOMER GENERAL MARKET		
		SHEET NUMBER 1 OF 1		
		DOCUMENT NUMBER SD-130006-029		
		DOC TYPE/DOC PART/REVISION PSD 001 B		

FACE VIEW-FEMALE INSERT

1 BROWN 2 BLUE	1 GREEN 2 RED/BLK 3 RED/WHT	1 RED/BLK 2 RED/WHT 3 RED 4 GREEN	1 RED/WHT 2 RED 3 GREEN 4 RED/YEL 5 RED/BLK



10X000A03XXXXX

POLES	LENGTH	COUPLING NUT
2	M010 - 1 METER	1 - SS STR.
3	M100 - 10 METER	2 - N-M
4	F060 - 6 FEET	3 - NB
5	F600 - 60 FEET	8 - SS HEX BLANK - ZINC STR.

SPECIFICATIONS

MATERIALS:

COUPLING NUT: SEE CHART
 CONTACTS: COPPER ALLOY, GOLD PLATED
 INSERT: PVC, YELLOW
 OVERMOLD: PVC, YELLOW
 CABLE: 18AWG YELLOW PVC, 2-5 CONDUCTORS DEPENDENT ON POLE COUNT

ELECTRICAL:

CURRENT RATING: 10A (2P & 3P), 7A (4P), 5.6A (5P)
 VOLTAGE: 300V

MECHANICAL:

TEMPERATURE RATING: -20°C TO 105°C
 PROTECTION: IP67 (IN FULLY MATED POSITION)

INITIAL RELEASE EC NO: IPG2015-0104 DRWN: BARDEN 2014/07/17 CHKD: BRUPERT 2014/07/18 APPR: JFMURPHY 2014/08/02	DESCRIPTION REV	QUALITY SYMBOLS	GENERAL TOLERANCES (UNLESS SPECIFIED)		DIMENSION STYLE		SCALE	DESIGN UNITS	THIRD ANGLE PROJECTION
		▽=0 ∇=0	mm	INCH	IN/MM	NTS	INCH		
			4 PLACES ±---	±---	DRAWN BY DATE	MINI-CHANGE ASSEMBLY 2-5P FE STRAIGHT 18AWG CABLE			
			3 PLACES ±---	±.005	BARDEN 2014/07/17				
	2 PLACES ±0.13	±.010	CHECKED BY DATE	MOLEX INCORPORATED					
	1 PLACE ±0.25	±.020	BRUPERT 2014/07/18						
	ANGULAR ±1/2°		APPROVED BY DATE	DOCUMENT NO.		SHEET NO.			
	DRAFT WHERE APPLICABLE MUST REMAIN WITHIN DIMENSIONS		JFMURPHY 2014/08/02	SD-130006-070		1 OF 1			
			MATERIAL NO.	THIS DRAWING CONTAINS INFORMATION THAT IS PROPRIETARY TO MOLEX INCORPORATED AND SHOULD NOT BE USED WITHOUT WRITTEN PERMISSION					
			SEE CHART						
			SIZE B						