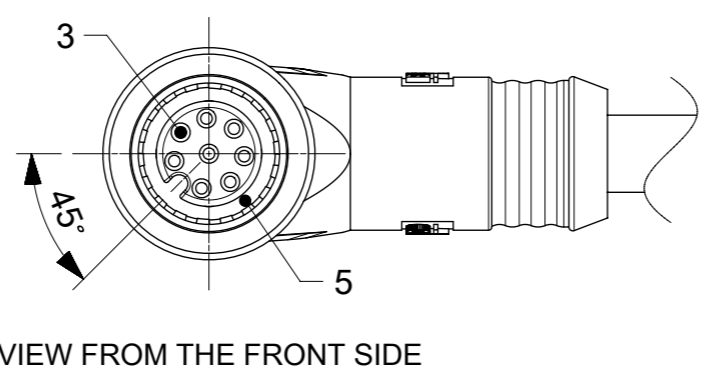
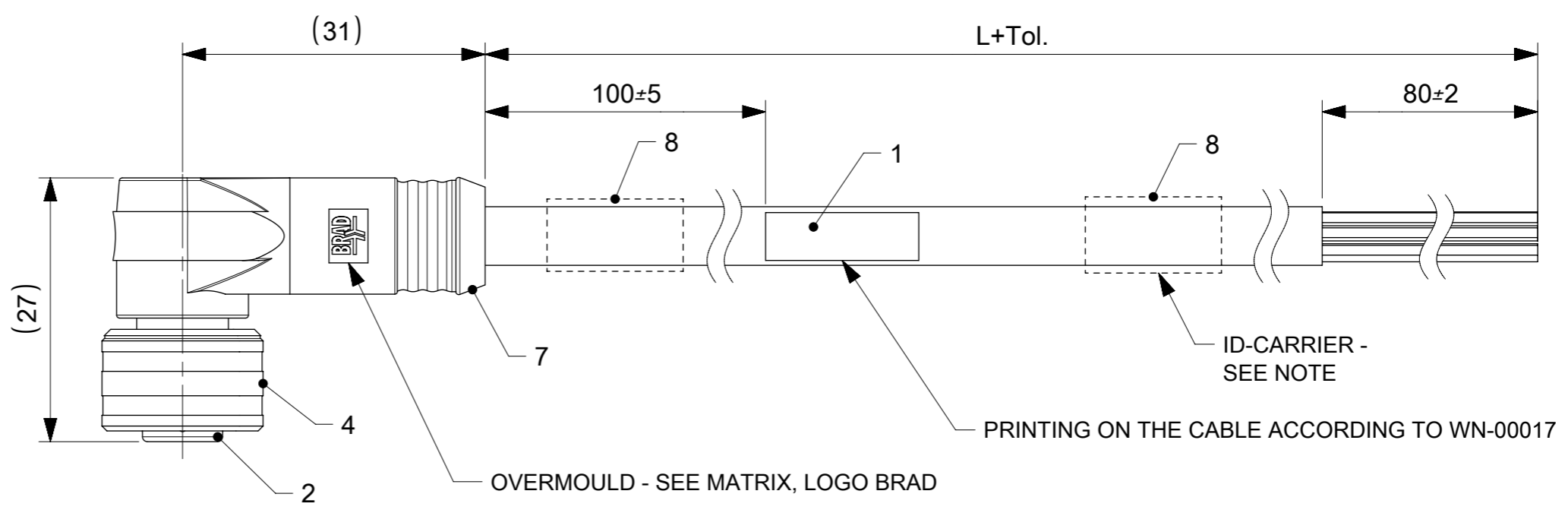
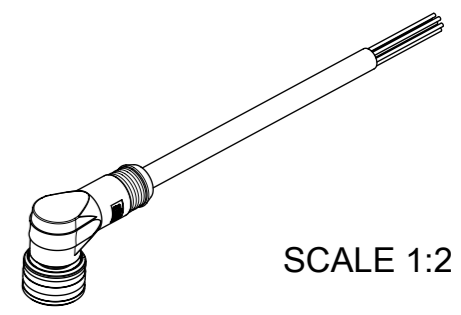


PIN	WIRE COLOR
1	WHITE
2	BROWN
3	GREEN
4	YELLOW
5	GREY
6	PINK
7	BLUE
8	RED

CONNNECTOR SPECIFICATION :

VOLTAGE : 30V AC/DC
 AMPERAGE RATING : MAX. 2 AMPS
 PROTECTION : IP68
 OPERATING TEMPERATURE : -30°C TO +80°C
 UL CERTIFICATION : UL RECOGNIZED , FILE NO: E152210

ELECTRICAL TEST SPECIFICATION : PS-120000-001



BILL OF MATERIAL

ITEM	QTY.	DISCRIPTION	MATERIAL	FINISH/COLOR
1	-	CALBE	SEE MATRIX	SEE MATRIX
2	1	INSERT FEMALE	TPU	BLACK
3	8	CONTACT FEMALE	COPPER	SELECTIVE GOLD OVER NICKEL
4	1	NUT	BRASS	Ni-PLATED
5	1	ORING	FPM	GREEN
6	1	SLEEVE	BRASS	Ni-PLATED
7	-	MOULDING	TPU	SEE MATRIX
8	SEE MATRIX	ID CARRIER	PVC	TRASPARENT

NOTE:
 IF IN MATRIX IS "H" - ADD ID-CARRIER'S ON THE BOTH SIDES HARNESS

THIS DRAWING CONTAINS INFORMATION THAT IS PROPRIETARY TO MOLEX ELECTRONIC TECHNOLOGIES, LLC AND SHOULD NOT BE USED WITHOUT WRITTEN PERMISSION

DIMENSION UNITS	SCALE	CURRENT REV DESC:		molex			
mm	2:1						
GENERAL TOLERANCES (UNLESS SPECIFIED)		EC NO: 178454		CSE M12U 8P FE RA XM			
ANGULAR TOL	± 1.0°	DRWN: SSM	2018/06/21				
4 PLACES	±	CHK'D: SSM	2018/06/27	PRODUCT CUSTOMER DRAWING			
3 PLACES	±	APPR: RSILLER	2018/06/28				
2 PLACES	± 0.05	INITIAL REVISION:		DOCUMENT NUMBER			
1 PLACE	± 0.3	DRWN: SSM	2018/06/21				1200795114
0 PLACES	± 0.5	APPR: RSILLER	2018/06/28	DOC TYPE DOC PART REVISION			
DRAFT WHERE APPLICABLE MUST REMAIN WITHIN DIMENSIONS		THIRD ANGLE PROJECTION	DRAWING				SERIES
			A3-SIZE	120079	SEE SHEET 2	GENERAL MARKET	1 OF 2

ENGINEERING NO. - NUMERICAL CODE (Available parts see PART LIST table. Other parts available upon request).

OPTIONS

W 0 8 0 0 1 X X X X X X X X

W0=U12
Ultra Lock
Single ended

Poles:
8=8 Poles

Heads style:
001=Plug Female 90°

Cable type: See Table

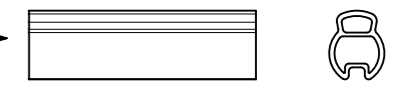
UNIT :
M = METER
F = FEET
C = CENTIMETERS
T = 10M

Length
Examples:
005=0.5 units
010=1 units
100=10 units

Overmold color:
Blank (Standard)=Black
A=Grey / G=Black / Y=Yellow

Coupling Nut :
Blank = KNU
7 =Teflon KNU

H= 2 pcs. of I/D Carrier PVC Transparent



CABLE SPECIFICATION :

CABLE TYPE	NO. OF WIRES	CROSS SECTION	CABLE JACKET	UL	CSA	STATIC: TEMP. / BENDING RADIUS	DYNAMIC: TEMP. / BENDING RADIUS	DRAG CHAIN	SHIELD
H08	8	0.25mm ²	PUR BLACK LS0H	UL 21198/10493	C22.2 I/II A/B 80°C/300V	-40°C to +80°C, 5xO.D.	-25°C to +80°C, 10xO.D.	2 000 000 cycles at 20°C, Temp. range +5°C to +60°C	-
P02	8	0.25mm ²	PUR / PVC BLACK	-	-	-30°C to +80°C, 7xO.D.	-5°C to +80°C, 15xO.D.	-	-

TABLE 1

No.	Molex P/N	Engineering no.	Cable Length
1	1200795114	W08001P02M020	2m
2	1200798043	W08001H08M020	2m
3	1200798146	W08001H08M050	5m
4	1200798147	W08001H08M100	10m
5			
6			
7			
8			
9			
10			
11			
12			
13			
14			
15			
16			
17			
18			
19			
20			

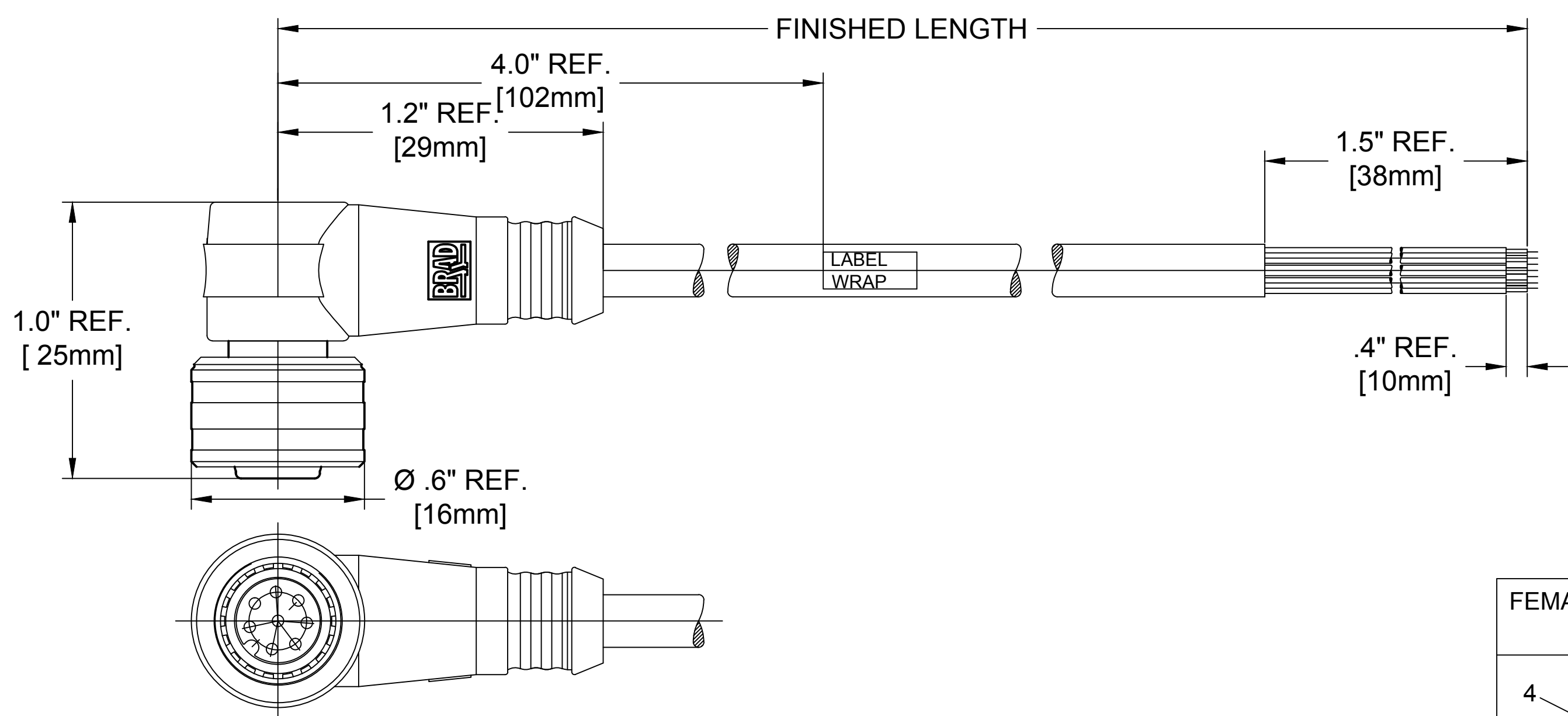
CABLE LENGTH TOLERANCES

OVER	UP TO AND INCLUDING	TOLERANCES
0	305mm	+19mm
305mm	915mm	+45mm
915mm	1830mm	+56mm
1830mm	3660mm	+89mm
3660mm	7320mm	+165mm
7320mm	14640mm	+317mm
14640mm	30500mm	+610mm
30500mm	>	+2% of finished length

THIS DRAWING CONTAINS INFORMATION THAT IS PROPRIETARY TO MOLEX ELECTRONIC TECHNOLOGIES, LLC AND SHOULD NOT BE USED WITHOUT WRITTEN PERMISSION

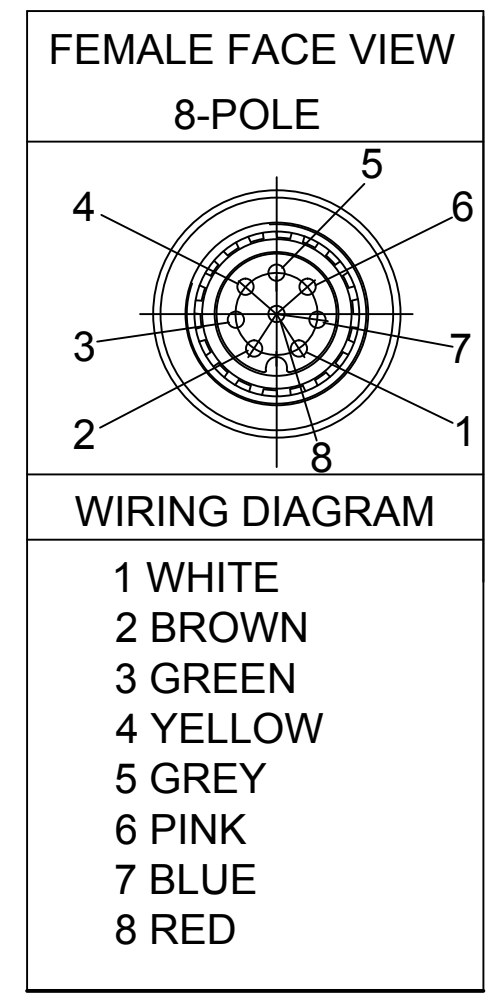
DIMENSION UNITS mm	SCALE 1:1	CURRENT REV DESC:		molex		
GENERAL TOLERANCES (UNLESS SPECIFIED)		EC NO: 178454				
ANGULAR TOL ± 1.0°	4 PLACES ±	DRWN: SSM	2018/06/21	PRODUCT CUSTOMER DRAWING		
3 PLACES ±	2 PLACES ± 0.05	CHK'D: SSM	2018/06/27	DOCUMENT NUMBER		
1 PLACE ± 0.3	1 PLACE ± 0.5	APPR: RSILLER	2018/06/28	1200795114		
0 PLACES ± 0.5	INITIAL REVISION:	DRWN: SSM	2018/06/21	DOC TYPE	DOC PART	REVISION
DRAFT WHERE APPLICABLE MUST REMAIN WITHIN DIMENSIONS	THIRD ANGLE PROJECTION	APPR: RSILLER	2018/06/28	PSD	000	A
	DRAWING	SERIES	MATERIAL NUMBER	CUSTOMER		SHEET NUMBER
	A3-SIZE	120079	SEE TABLE 1	GENERAL MARKET		2 OF 2

13	12	11	10	9	8	7	6	5	4	3	2	1
MATERIAL NUMBER	OLD PART NUMBER	FINISHED LENGTH										
1200798043	W08001H09M020	2M +89mm -0 [6.6FT +3.5IN -0]										



W08001H08M020

CABLE TYPE: 8 x .25mm² BLACK PUR
 CABLE LENGTH: M020 --2 meters, M100 --10 meters



SPECIFICATION DATA

COMPONENT	MATERIAL	FINISH
LABEL	MYLAR	BLACK/YELLOW
COUPLER	BRASS	NICKEL PLATED
CONTACT	COPPER ALLOY	Au OVER Ni
O-RING	VITON	GREEN
INSERT	NYLON	BLACK
OVERMOLD	TPE	BLACK
CABLE #24/8	PUR	BLACK
VOLTAGE RATING:		30V
AMPERAGE RATING:		2A
PROTECTION CLASS:		IP67/68/69K
OPERATING TEMPERATURE:		-20°C / 80°C

EC NO: IFCG2014-0567 DRWN: GGUSTAFS 2013/09/05 CH'KD: TWOLDEGE APPR: BWOODMAN2013/11/12 REV A	QUALITY SYMBOL	GENERAL TOLERANCES (UNLESS SPECIFIED)		DIMENSION STYLE IN/MM		SCALE NTS	DESIGN UNITS INCH	THIRD ANGLE PROJECTION		
	▽=0	mm	INCH	DRAWN BY	DATE	TITLE				
	∇=0	4 PLACES	±---	±---	LSTEMMLE	2010/02/10	MICRO-CHANGE ULTRA LOCK 8-POLE FEMALE 90 DEGREE 8 X .25MM2 BLK PUR			
		3 PLACES	±---	±.005	CHECKED BY	DATE				
		2 PLACES	±0.13	±.010	TWOLDEGE	2013/09/12	MOLEX INCORPORATED			
	1 PLACE	±0.25	±.020	APPROVED BY	DATE					
	ANGULAR ±.5°		DRAFT WHERE APPLICABLE MUST REMAIN WITHIN DIMENSIONS		MATERIAL NO. SEE CHART		DOCUMENT NO. SD-120079-067		SHEET NO. 1 OF 1	
THIS DRAWING CONTAINS INFORMATION THAT IS PROPRIETARY TO MOLEX INCORPORATED AND SHOULD NOT BE USED WITHOUT WRITTEN PERMISSION										