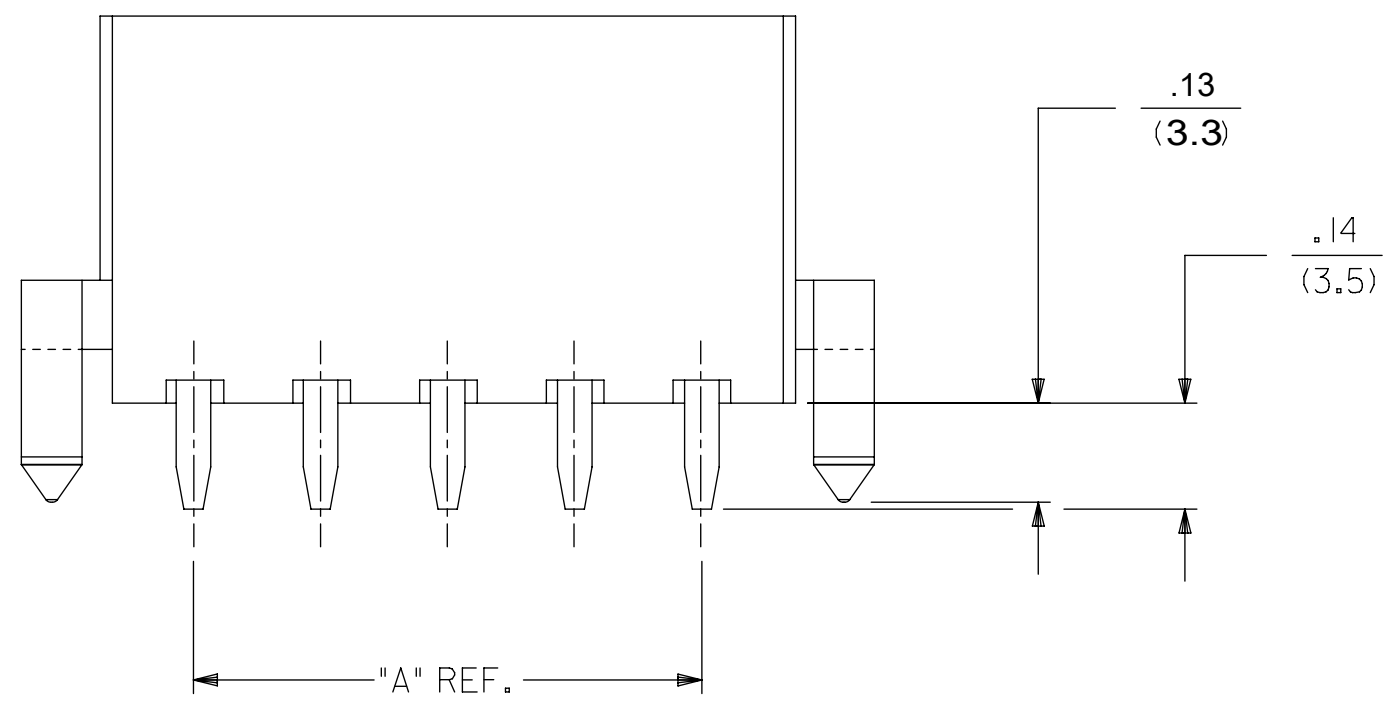
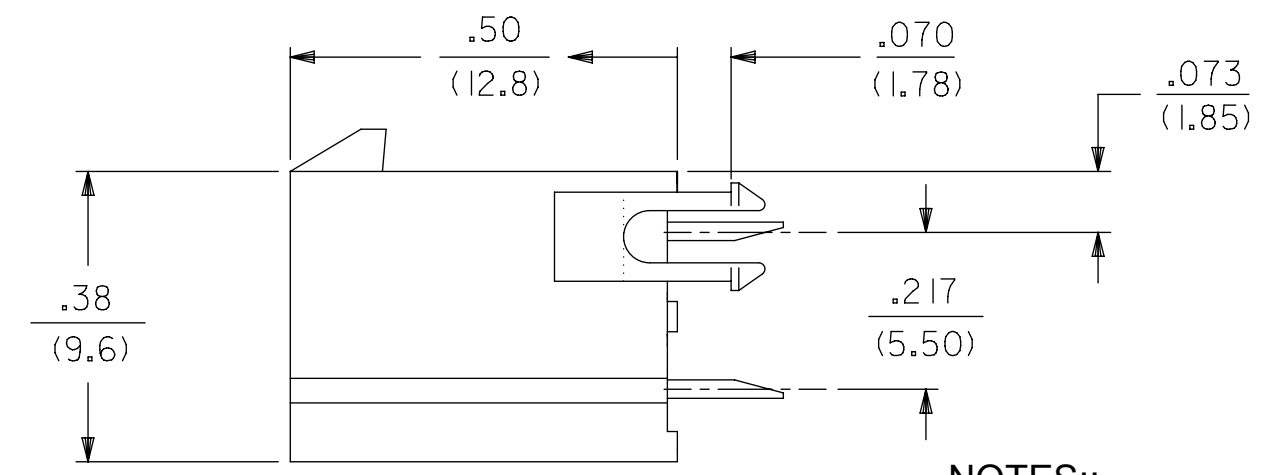
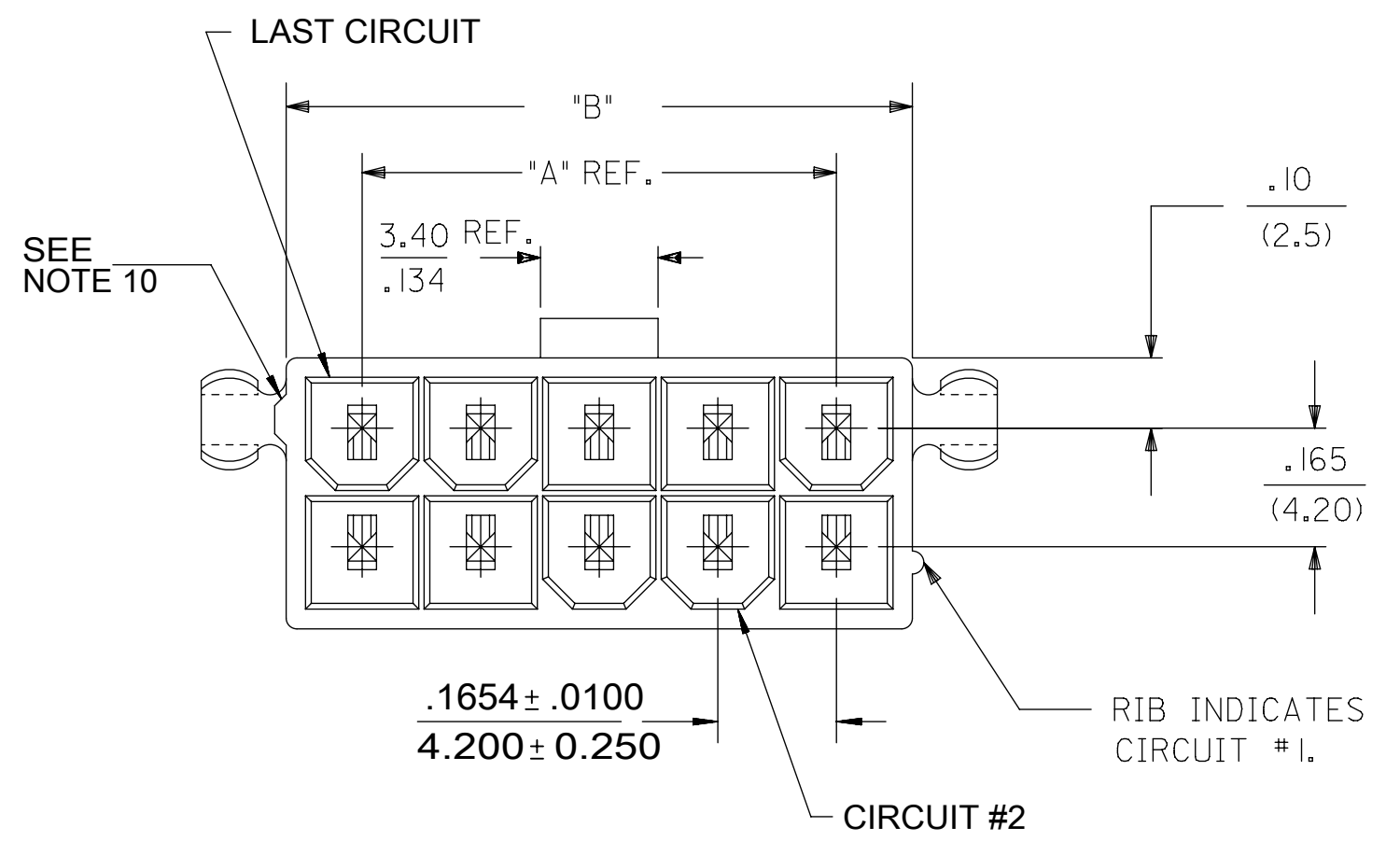


CIRCUIT SIZE	DIM. "A"	DIM. "B"	DIM. "C"
2	—	$\frac{.21}{(5.4)}$	$\frac{.370}{(9.40)}$
4	$\frac{.17}{(4.2)}$	$\frac{.38}{(9.6)}$	$\frac{.535}{(13.60)}$
6	$\frac{.33}{(8.4)}$	$\frac{.54}{(13.8)}$	$\frac{.701}{(17.80)}$
8	$\frac{.50}{(12.6)}$	$\frac{.71}{(18.0)}$	$\frac{.866}{(22.00)}$
10	$\frac{.66}{(16.8)}$	$\frac{.87}{(22.2)}$	$\frac{1.031}{(26.20)}$
12	$\frac{.83}{(21.0)}$	$\frac{1.04}{(26.4)}$	$\frac{1.197}{(30.40)}$
14	$\frac{.99}{(25.2)}$	$\frac{1.20}{(30.6)}$	$\frac{1.362}{(34.60)}$
16	$\frac{1.16}{(29.4)}$	$\frac{1.37}{(34.8)}$	$\frac{1.528}{(38.80)}$
18	$\frac{1.32}{(33.6)}$	$\frac{1.54}{(39.0)}$	$\frac{1.693}{(43.00)}$
20	$\frac{1.49}{(37.8)}$	$\frac{1.70}{(43.2)}$	$\frac{1.858}{(47.20)}$
22	$\frac{1.65}{(42.0)}$	$\frac{1.87}{(47.4)}$	$\frac{2.024}{(51.40)}$
24	$\frac{1.82}{(46.2)}$	$\frac{2.03}{(51.6)}$	$\frac{2.189}{(55.60)}$

RECOMMENDED HOLE LAYOUT FOR .070/(1.78) MAX. THICK P. C. BOARD



- NOTES:
- HOUSING MATERIAL:
V-2 = NYLON 6/6, UNFILLED U.L. 94V-2, COLOR: NATURAL
V-0 = NYLON 6/6, UNFILLED U.L. 94V-0, COLOR: NATURAL
TERMINAL MATERIAL: COPPER ALLOY.
 - TERMINAL PLATING:
TIN = .000100/(.00254) MIN. MATTE TIN OVER .000050/(.00127) MIN. NICKEL OVERALL
GOLD = .000030/(.00080) MIN. SELECT GOLD, .000100/(.00254) MIN. MATTE TIN OVER .000050/(.00127) MIN. NICKEL OVERALL
 - PRODUCT SPECIFICATION:
TRAY : PS-45750-001
T&R : 55660000-RPK
 - PACKAGING SPECIFICATION: PK-5566-001.
 - PART MATES WITH MINI-FIT RECEPTACLE NO. 5557
 - PART ARE NOT TO BE MATED OR UN-MATED WHILE CIRCUITS ARE LIVE
 - PARTS TO HAVE "HCS+" MARKING
 - PART CONFORMS TO CLASS B OF COSMETIC SPECIFICATION PS-45499-002 WITH THE EXCEPTION OF DISCOLORATION, FLASH, AND SINK MEET CLASS "C" REQUIREMENTS.
 - PART IS NOT DESIGNED FOR CURRENT SHARING.
 - ANTI-SHINGLING RIB MAY OR MAY NOT APPEAR ON HOUSINGS.
 - LOCATION OF .118/3.00 DIAMETER HOLES ON P.C. BOARD IS FOR OPTIONAL PEGS.
 - TEXT ON PART IS FOR REFERENCE ONLY. TEXT AND TEXT LOCATION MAY VARY DEPENDING ON PART NUMBER AND/OR TOOL.

THIS DRAWING CONTAINS INFORMATION THAT IS PROPRIETARY TO MOLEX ELECTRONIC TECHNOLOGIES, LLC AND SHOULD NOT BE USED WITHOUT WRITTEN PERMISSION

QUALITY SYMBOLS	2021/09/02 2021/09/08 2021/09/08 EC NO: 676792 DRWN: HPANT18 CHKD: YXZHENG APPR: YXZHENG	GENERAL TOLERANCES (UNLESS SPECIFIED)		DIMENSION UNITS	SCALE
				IN/MM	4:1
		MM	INCH	DRWN BY	DATE
$\nabla = 0$		4 PLACES \pm	\pm	TGREGORI	2006/04/27
$\nabla = 0$		3 PLACES \pm	\pm	CHK'D BY	DATE
$\nabla = 0$		2 PLACES \pm	0.25 \pm	JCOMERCI	
$\blacktriangledown = 0$		1 PLACES \pm	0.5 \pm	APPR BY	DATE
$\nabla = 0$		0 PLACES \pm	\pm	FSMITH	2010/04/09
$\square = 0$		ANGULAR TOL = 0.5		DRAWING SIZE	THIRD ANGLE PROJECTION
$\blacksquare = 0$		DRAFT WHERE APPLICABLE MUST REMAIN WITHIN DIMENSIONS		C	
$\nabla = 0$					

**VERTICAL HEADER ASSEMBLY
DUAL ROW MINI-FIT PLUS HCS SERIES**

PRODUCT CUSTOMER DRAWING

SERIES	MATERIAL NUMBER	CUSTOMER
46015	SEE CHART	GENERAL MARKET
DOCUMENT NUMBER	DOC TYPE	DOC PART
SD-46015-001	PSD	000
SHEET NUMBER		1 OF 2

ITEM NO.	CKT. SIZE	HOUSING MATERIAL	PEGS	PLATING	PACKAGING
46015-0202	2	V-0	NO	TIN	TRAY
46015-0203			YES		
46015-0206		V-2	NO		
46015-0207			YES		
46015-0209	V-0	YES	GOLD		
46015-0212		NO			
46015-0402	4	V-0	NO	TIN	
46015-0403			YES		
46015-0406		V-2	NO		
46015-0407			YES		
46015-0409	V-0	YES	GOLD		
46015-0412		NO			
46015-0602	6	V-0	NO	TIN	
46015-0603			YES		
46015-0606		V-2	NO		
46015-0607			YES		
46015-0609	V-0	YES	GOLD		
46015-0612		NO			
46015-0802	8	V-0	NO	TIN	
46015-0803			YES		
46015-0806		V-2	NO		
46015-0807			YES		
46015-0809	V-0	YES	GOLD		
46015-0812		NO			
46015-1002	10	V-0	NO	TIN	
46015-1003			YES		
46015-1006		V-2	NO		
46015-1007			YES		
46015-1009	V-0	YES	GOLD		
46015-1012		NO			
46015-1202	12	V-0	NO	TIN	
46015-1203			YES		
46015-1206		V-2	NO		
46015-1207			YES		
46015-1209	V-0	YES	GOLD		
46015-1212		NO			

ITEM NO.	CKT. SIZE	HOUSING MATERIAL	PEGS	PLATING	PACKAGE
46015-0820	8	V-0	NO	GOLD	T&R

ITEM NO.	CKT SIZE	HOUSING MATERIAL	PEGS	PLATING	PACKAGING	
46015-1402	14	V-0	NO	TIN	TRAY	
46015-1403			YES			
46015-1406			V-2			NO
46015-1407		YES				
46015-1409		V-0				YES
46015-1412			NO			
46015-1602	16	V-0	NO	TIN		
46015-1603			YES			
46015-1606			V-2			NO
46015-1607		YES				
46015-1609		V-0				YES
46015-1612			NO			
46015-1802	18	V-0	NO	TIN		
46015-1803			YES			
46015-1806			V-2			NO
46015-1807		YES				
46015-1809		V-0				YES
46015-1812			NO			
46015-2002	20	V-0	NO	TIN		
46015-2003			YES			
46015-2006			V-2			NO
46015-2007		YES				
46015-2009		V-0				YES
46015-2012			NO			
46015-2202	22	V-0	NO	TIN		
46015-2203			YES			
46015-2206			V-2		NO	
46015-2207		YES				
46015-2209		V-0			YES	GOLD
46015-2212			NO			
46015-2402	24	V-0	NO	TIN		
46015-2403			YES			
46015-2406			V-2		NO	
46015-2407		YES				
46015-2409		V-0			YES	GOLD
46015-2412			NO			

RELEASE STATUS	P1	RELEASE DATE	2021/09/08	04:36:59
12		11		10

QUALITY SYMBOLS 	THIS DRAWING CONTAINS INFORMATION THAT IS PROPRIETARY TO MOLEX ELECTRONIC TECHNOLOGIES, LLC AND SHOULD NOT BE USED WITHOUT WRITTEN PERMISSION															
	EC NO: 676792 DRWN: HPAN18 CHKD: YXZHENG APPR: YXZHENG	GENERAL TOLERANCES (UNLESS SPECIFIED) MM INCH				DIMENSION UNITS IN/MM		SCALE 4:1								
		4 PLACES ±		±		DRWN BY TGREGORI		DATE 2006/04/27								
		3 PLACES ±		±		CHK'D BY JCOMERCI		DATE								
		2 PLACES ± 0.25		±		APPR BY FSMITH		DATE 2010/04/09		PRODUCT CUSTOMER DRAWING						
	1 PLACES ± 0.5		±		ANGULAR TOL = 0.5		DRAWING SIZE C		THIRD ANGLE PROJECTION		SERIES 46015		MATERIAL NUMBER SEE CHART		CUSTOMER GENERAL MARKET	
	0 PLACES ±		±		DRAFT WHERE APPLICABLE MUST REMAIN WITHIN DIMENSIONS				DOCUMENT NUMBER SD-46015-001		DOC TYPE PSD		DOC PART 000		SHEET NUMBER 2 OF 2	