



1

2

3

4

A

A

B

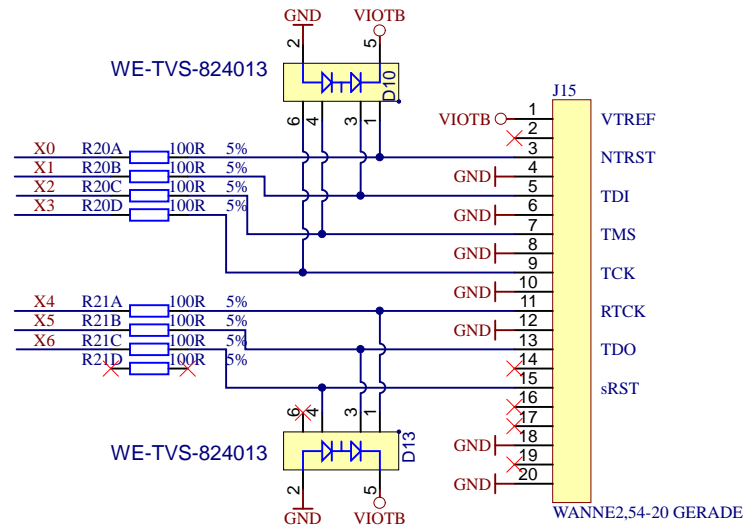
B

C

C

D

D



Title: <b>TE0705 - ARM JTAG</b>		
A4	Number: <b>TE0705 default</b>	Rev. <b>04</b>
Date: <b>2016-10-04</b>	Copyright: <b>Trenz Electronic GmbH</b>	Page <b>2</b> of <b>17</b>
Filename: <b>ARM_JTAG.SchDoc</b>		

1

2

3

4

A

B

C

D

1

2

3

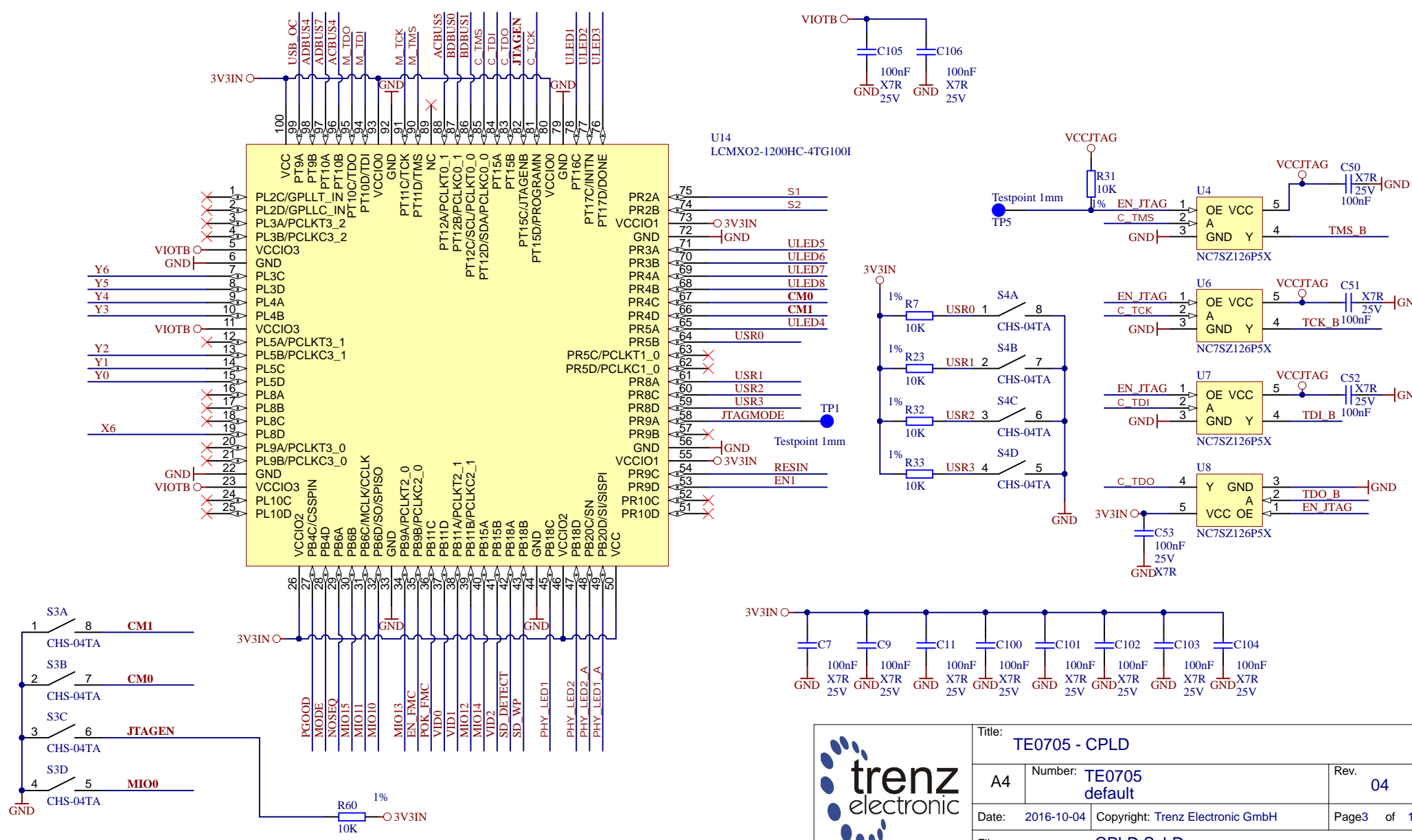
4

A

B

C

D



Title: <b>TE0705 - CPLD</b>		
A4	Number: <b>TE0705 default</b>	Rev. <b>04</b>
Date: 2016-10-04	Copyright: Trenz Electronic GmbH	Page3 of 17
Filename: <b>CPLD.SchDoc</b>		

1

2

3

4

1

2

3

4

A

A

B

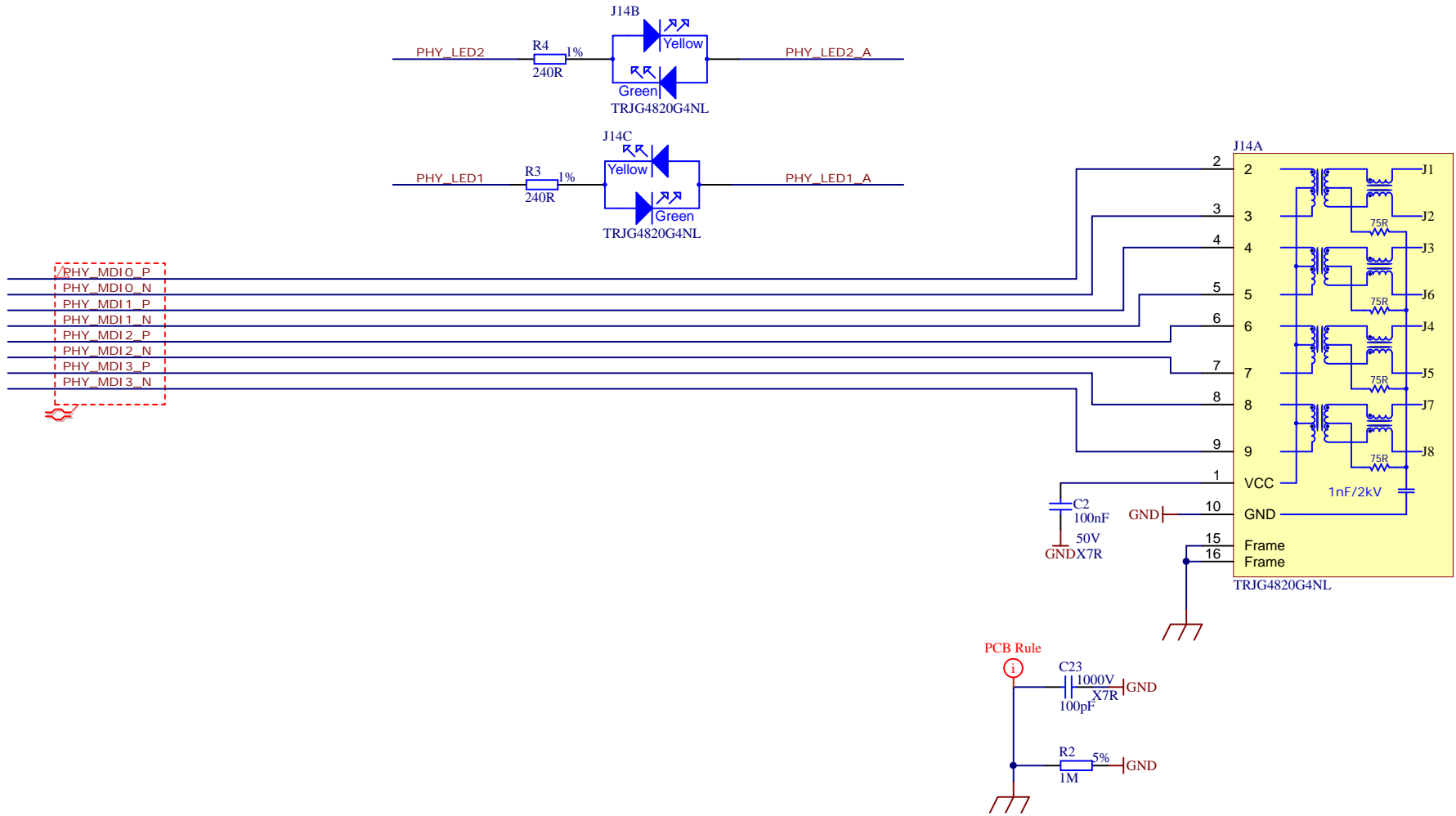
B

C

C

D

D



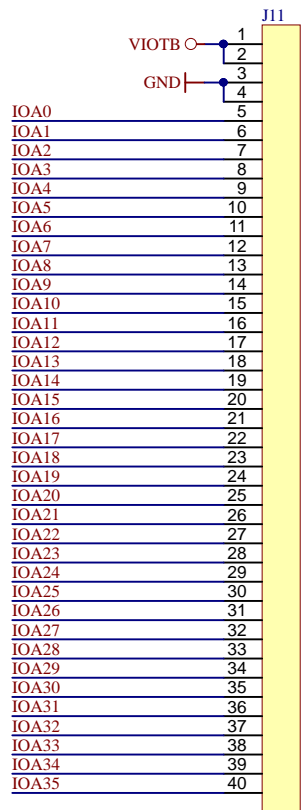
Title: TE0705 - Ethernet		
A4	Nummer: TE0705 default	Rev. 04
Datum: 2016-10-04	Zeichner: Trenz Electronic GmbH	Blatt 4 von 17
Filename: Ethernet.SchDoc		

1

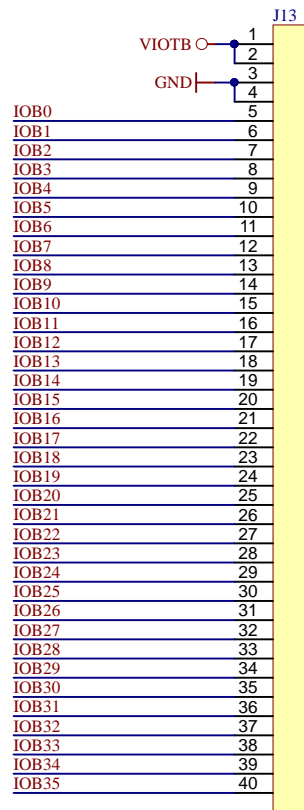
2

3

4



Pin Header 2.54 2Row 40Pins



Pin Header 2.54 2Row 40Pins



Title: TE0705 - EXTCONN		
A4	Number: TE0705 default	Rev. 04
Date: 2016-10-04	Copyright: Trenz Electronic GmbH	Page5 of 17
Filename: EXTCON.SchDoc		

1

2

3

4

A

A

B

B

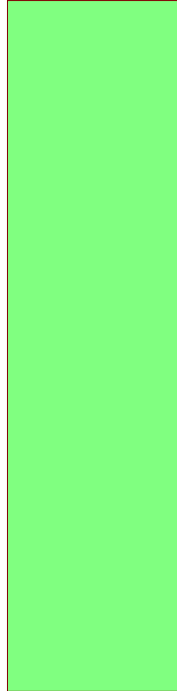
C

C

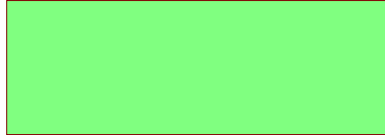
D

D

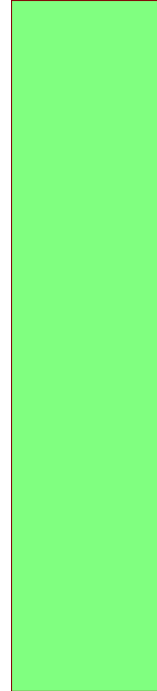
U\_TE0720\_JB1  
TE0720\_JB1.SchDoc



U\_TE0720\_JB3  
TE0720\_JB3.SchDoc



U\_TE0720\_JB2  
TE0720\_JB2.SchDoc



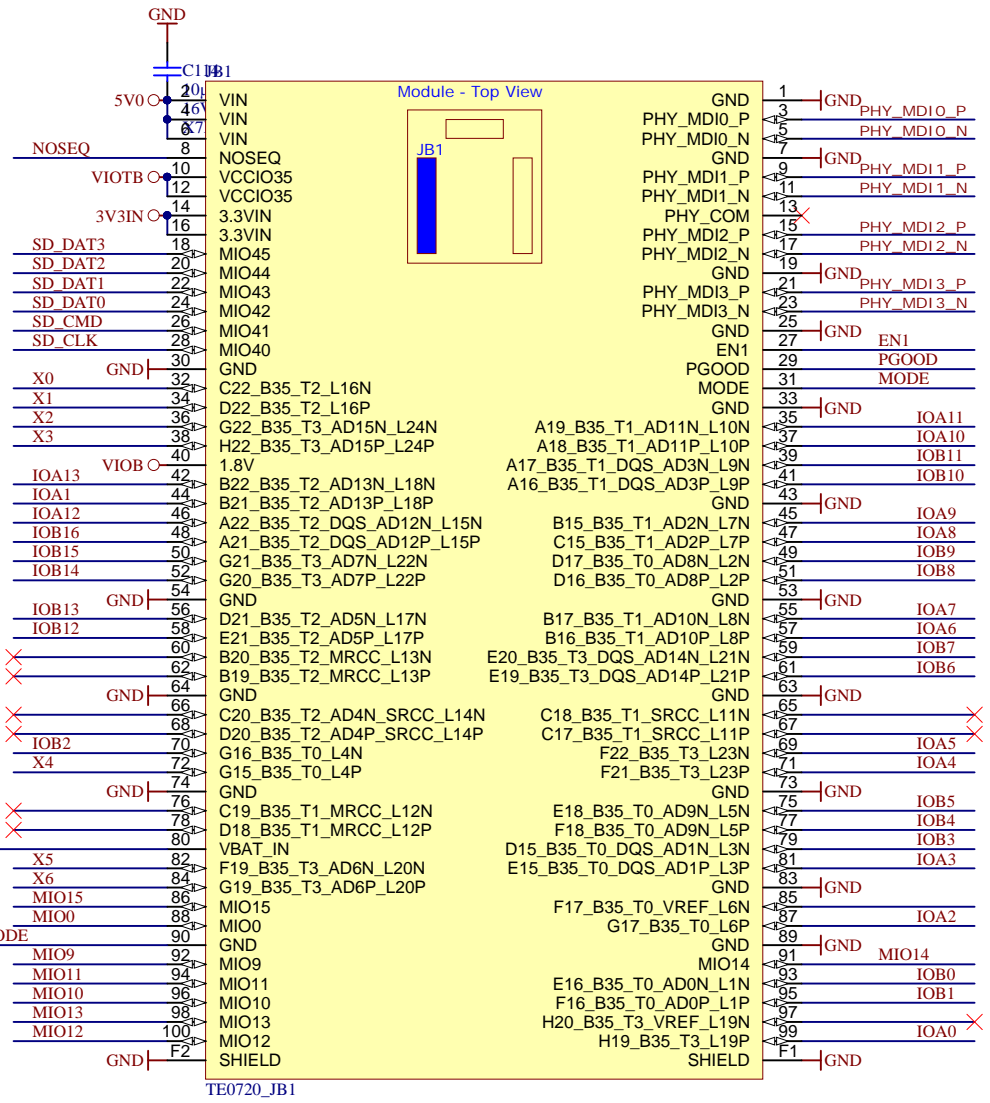
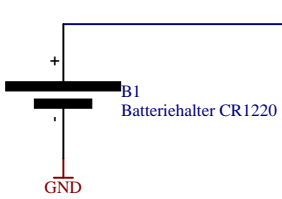
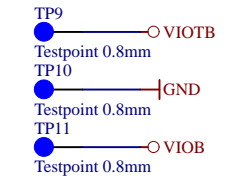
Title: <b>TE0705 - FPGA B2B Connectors</b>		
A4	Number: <b>TE0705 default</b>	Rev. <b>04</b>
Date: <b>2016-10-04</b>	Copyright: <b>Trenz Electronic GmbH</b>	Page <b>6</b> of <b>17</b>
Filename: <b>FPGA_B2B_Connectors.SchDoc</b>		

1

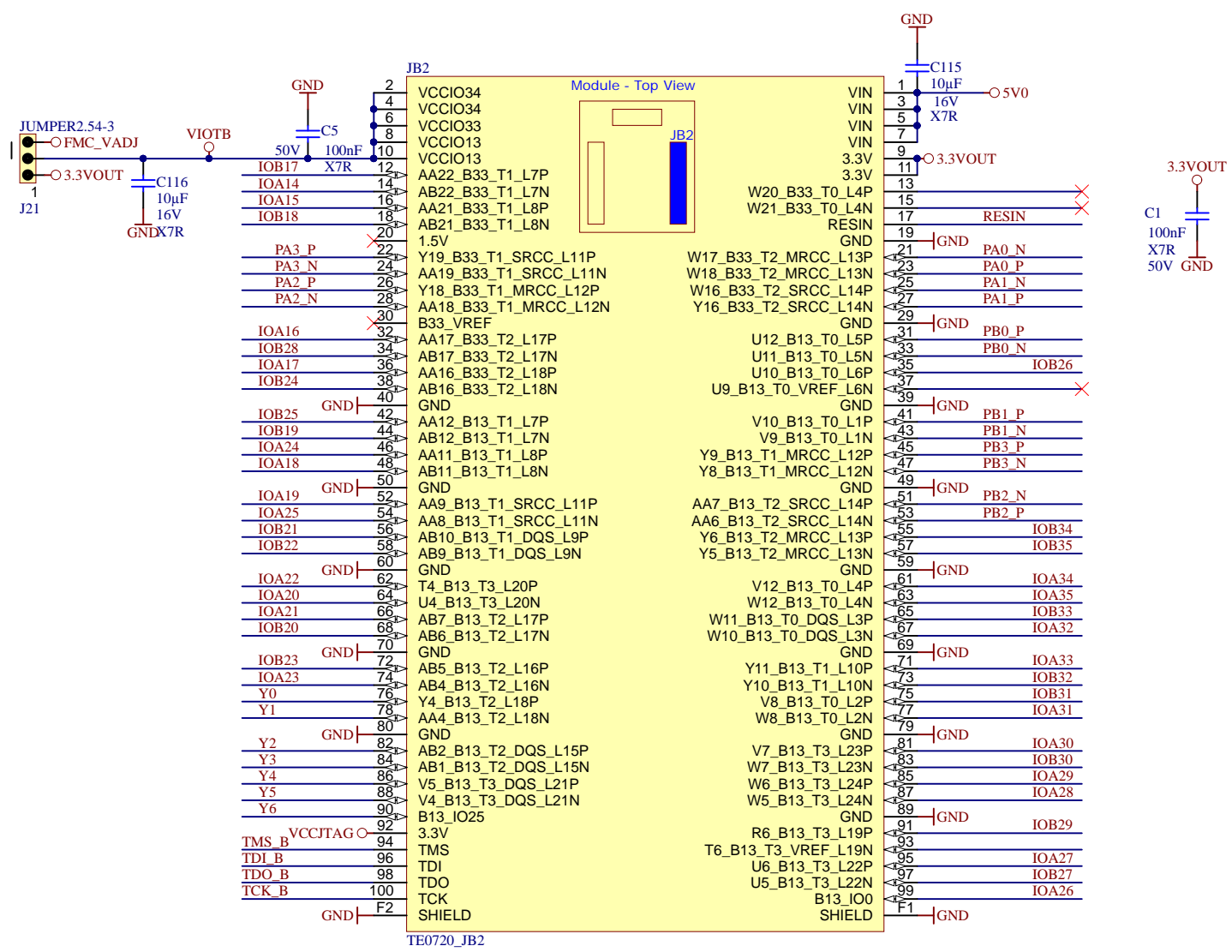
2

3

4

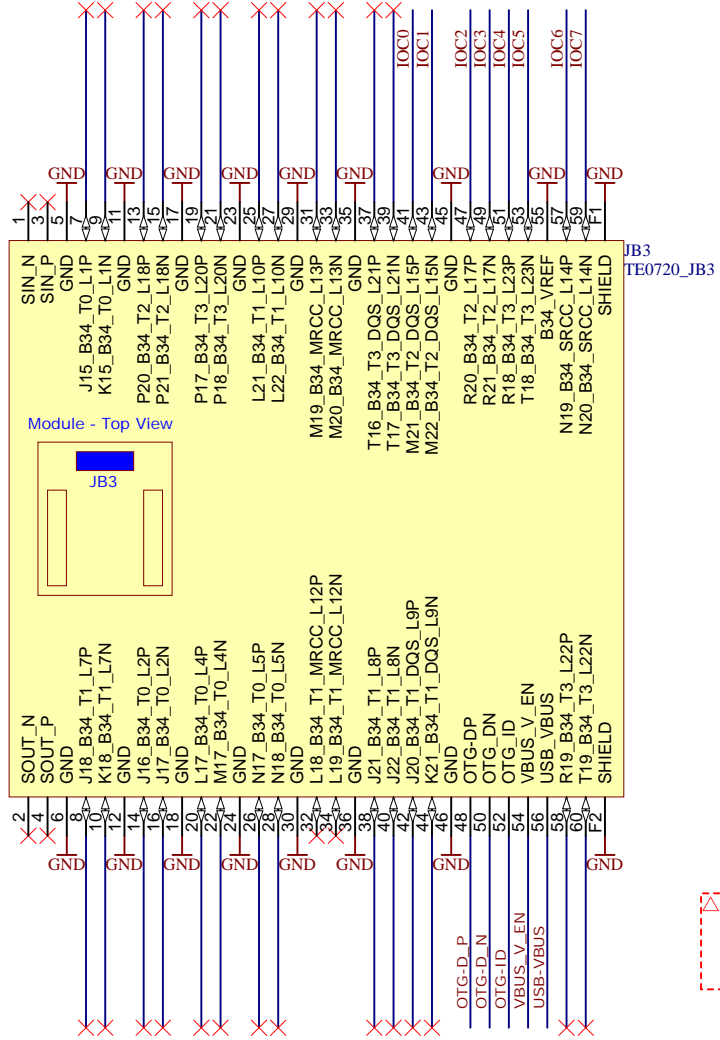


Title: TE0705 - FPGA B2B Connectors		
A4	Number: TE0705 default	Rev. 04
Date: 2016-10-04	Copyright: Trenz Electronic GmbH	Page 7 of 17
Filename: TE0720_JB1.SchDoc		



	Title: <b>TE0705 - FPGA B2B Connectors</b>	
	A4	Number: <b>TE0705 default</b>
	Date: <b>2016-10-04</b>	Copyright: <b>Trenz Electronic GmbH</b>
	Page <b>8</b> of <b>17</b>	Rev. <b>04</b>
Filename: <b>TE0720_JB2.SchDoc</b>		





Title: <b>TE0705 - FPGA B2B Connectors</b>		
A4	Number: <b>TE0705 default</b>	Rev. <b>04</b>
Date: <b>2016-10-04</b>	Copyright: <b>Trenz Electronic GmbH</b>	Page <b>9</b> of <b>17</b>
Filename: <b>TE0720_JB3.SchDoc</b>		

A

A

B

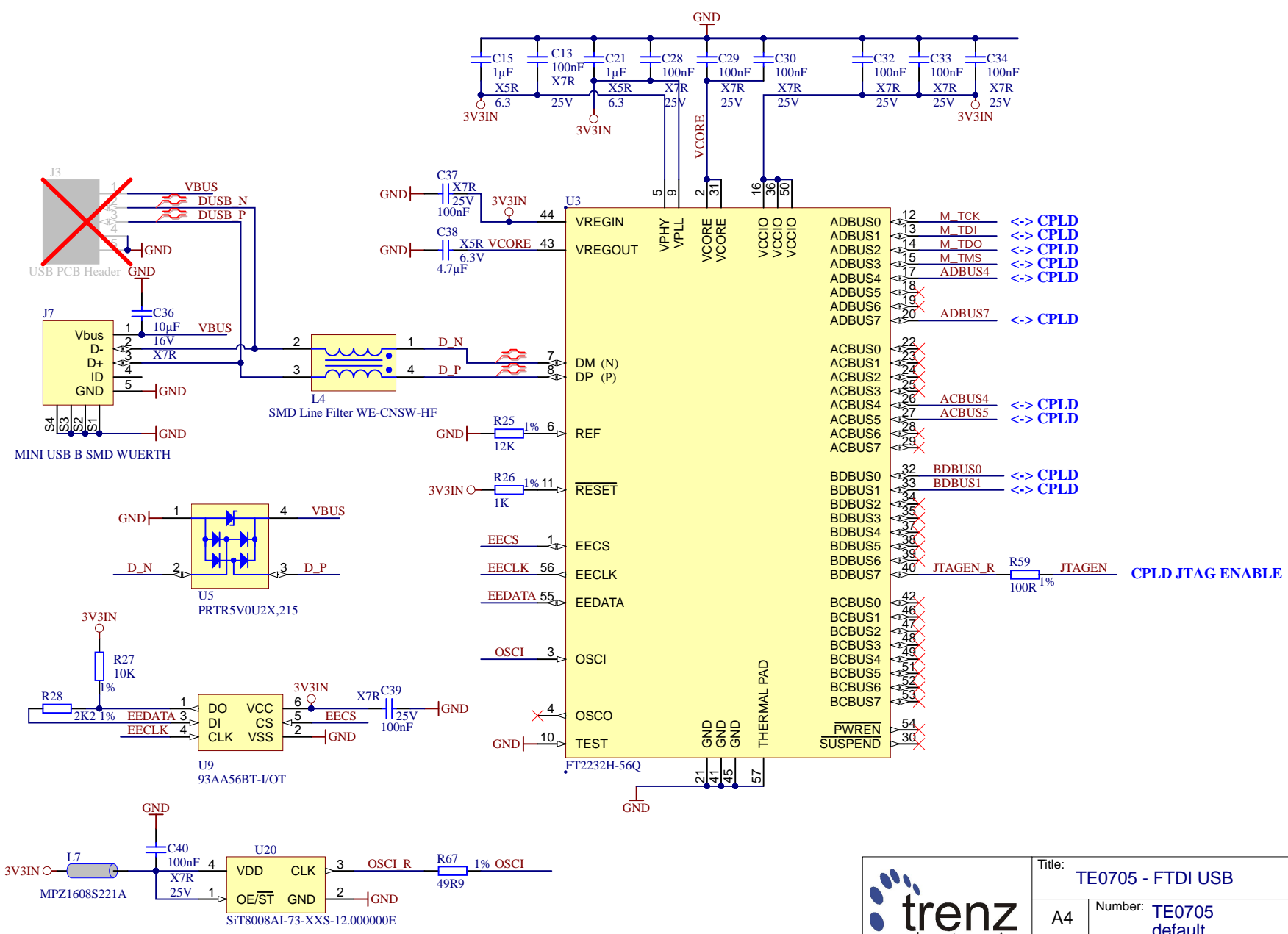
B

C

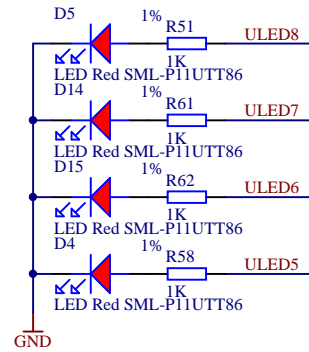
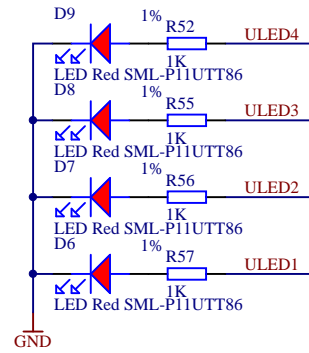
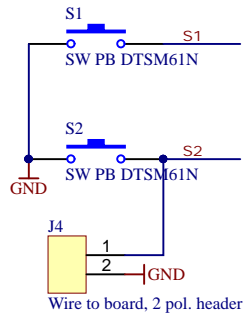
C


D

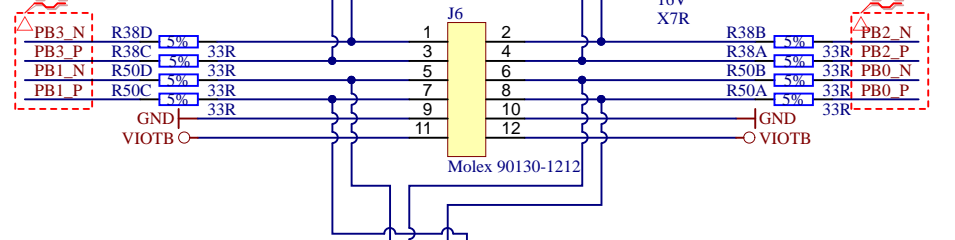
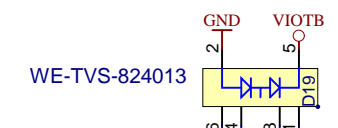
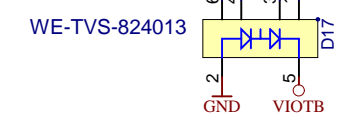
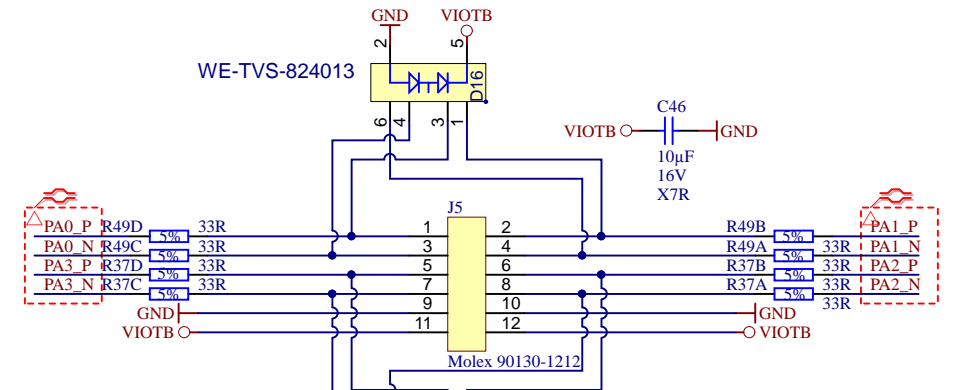
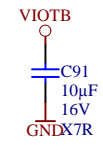
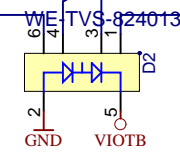
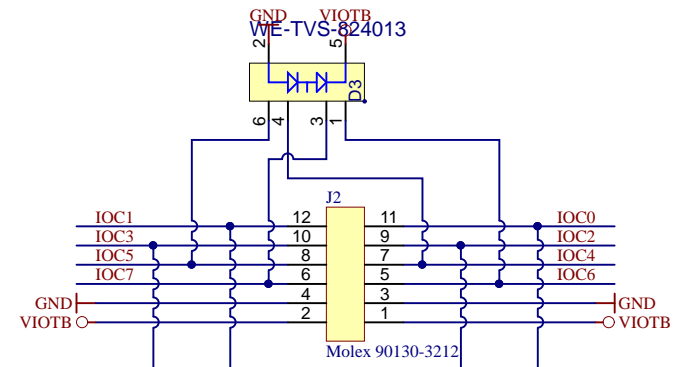
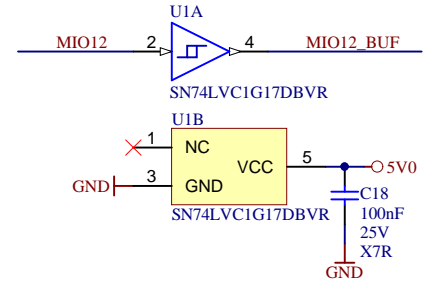
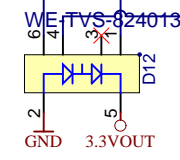
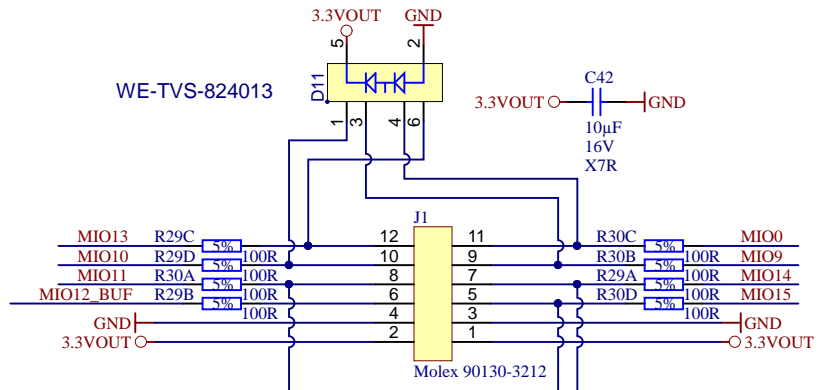
D



Title: TE0705 - FTDI USB		
A4	Number: TE0705 default	Rev. 04
Date: 2016-10-04	Copyright: Trenz Electronic GmbH	Page 10 of 17
Filename: FTDI.SchDoc		



		Title: TE0705 - LEDS & SWS & BUTTONS	
		A4	Number: TE0705 default
Date: 2016-10-04		Copyright: Trenz Electronic GmbH	
Page 11 of 17		Filename: LED_SW_BUT.SchDoc	



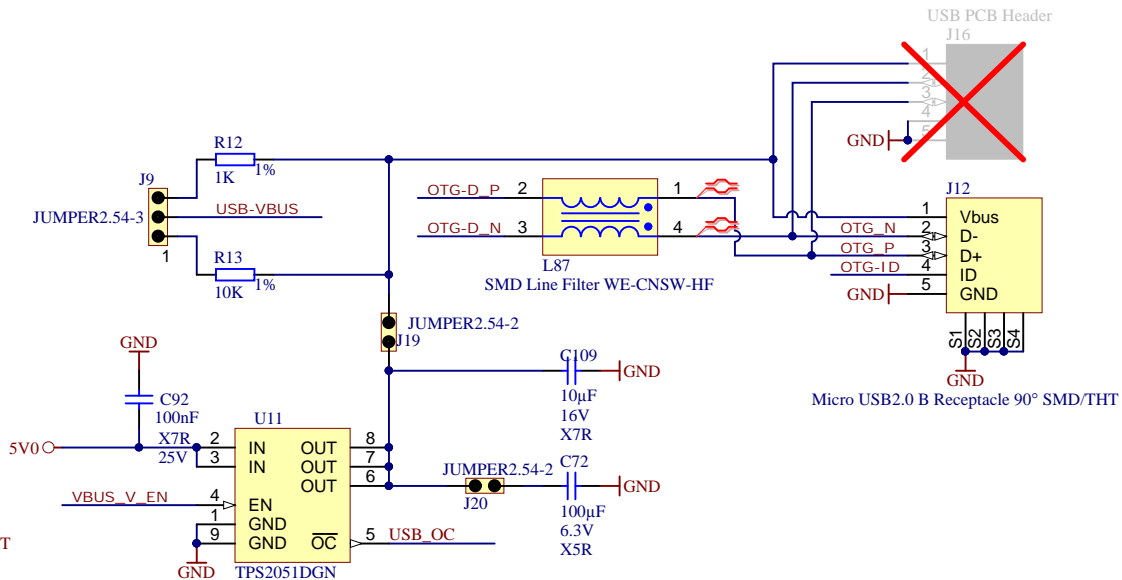
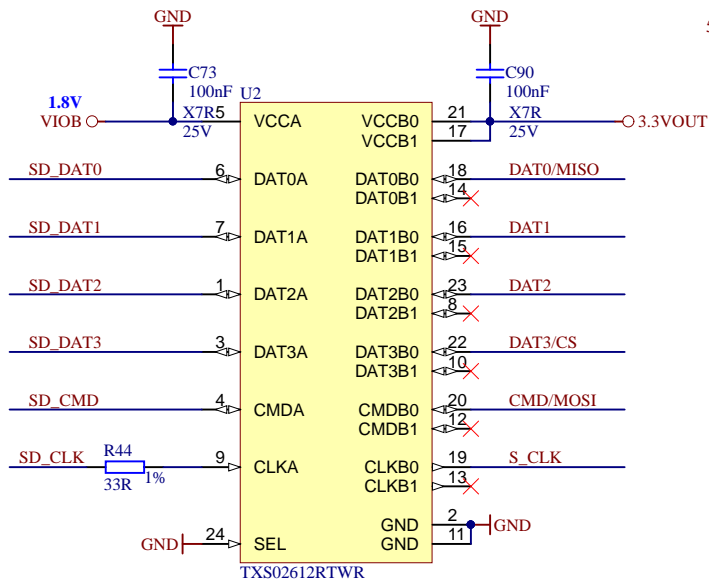
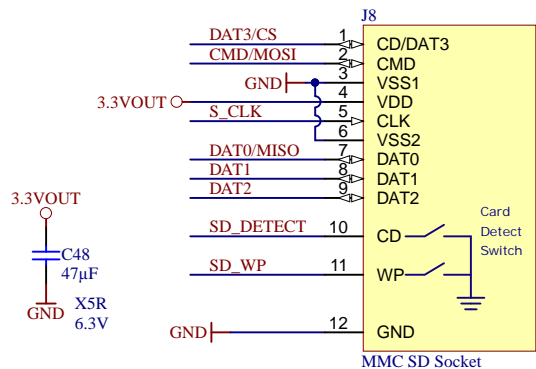
Title: TE0705 - PMODS		
A4	Number: TE0705 default	Rev. 04
Date: 2016-10-04	Copyright: Trenz Electronic GmbH	Page 12 of 17
Filename: PMODS.SchDoc		

1

2

3

4



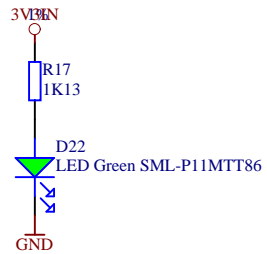
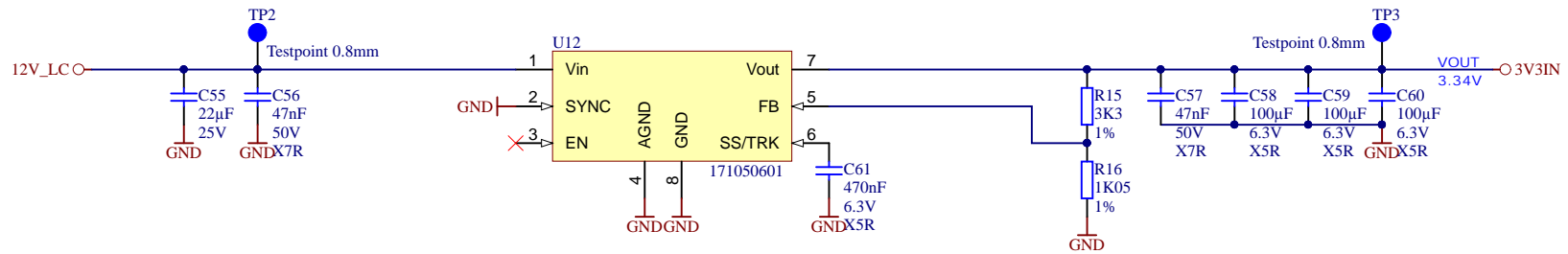
Title: TE0705 - SD Card		
A4	Number: TE0705 default	Rev. 04
Date: 2016-10-04	Copyright: Trenz Electronic GmbH	Page13 of 17
Filename: SDCard.SchDoc		

1

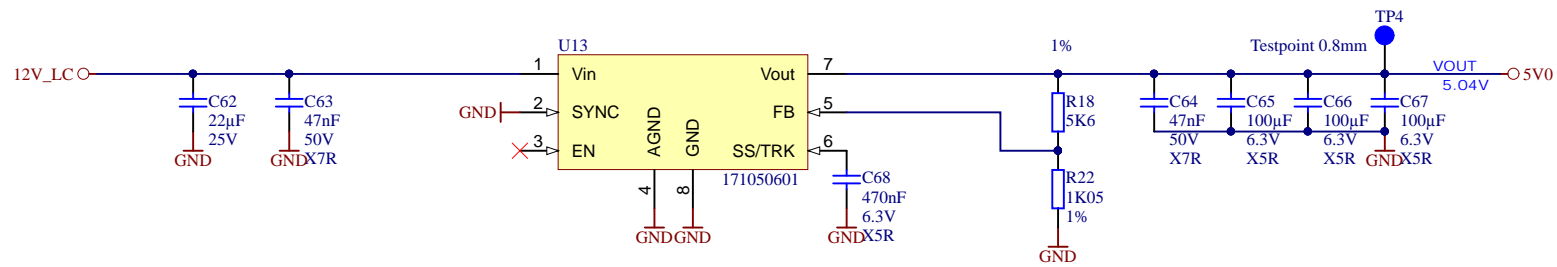
2


3

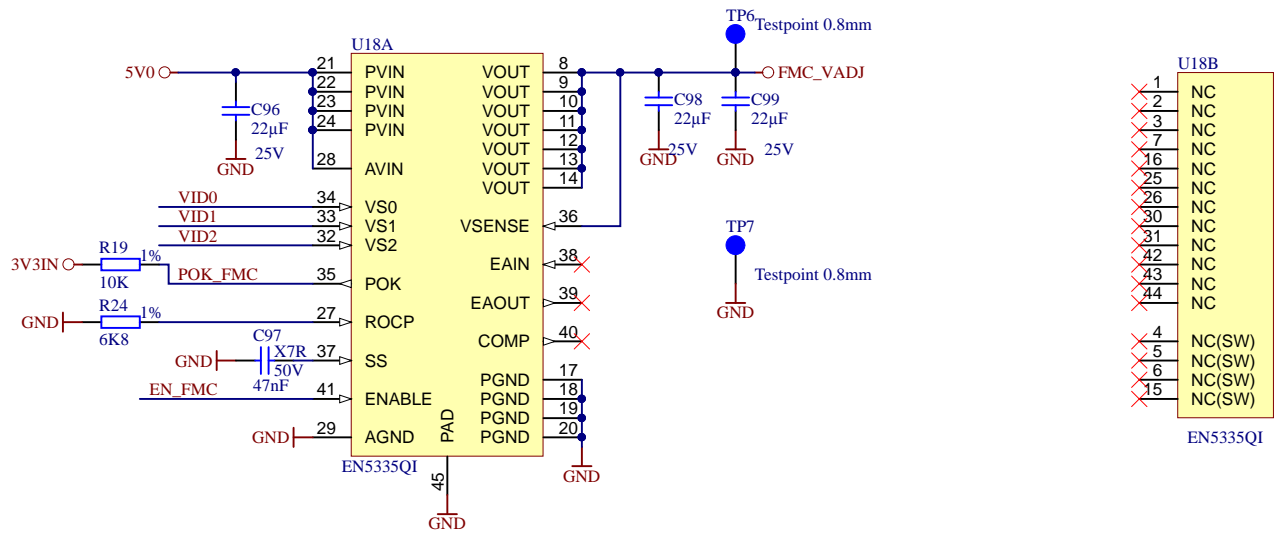
4



Title: TE0705 - 3.3V POWER		
A4	Number: TE0705 default	Rev. 04
Date: 2016-10-04	Copyright: Trenz Electronic GmbH	Page 14 of 17
Filename: POWER_3V3.SchDoc		



			Title: TE0705 - 5V POWER	
			A4	Number: TE0705 default
Date: 2016-10-04		Copyright: Trenz Electronic GmbH		Page 15 of 17
Filename: POWER_5V0.SchDoc				



Title: TE0705 - MISC POWER		
A4	Number: TE0705 default	Rev. 04
Date: 2016-10-04	Copyright: Trenz Electronic GmbH	Page 16 of 17
Filename: POWER_MISC.SchDoc		



1

2

3

4

CHANGES REV03 to REV04

- 1) changed FT2232 different IC package (56pins)
- 2) added coin cell holder holder (B1) for CR1220
- 3) changed SD-card slot (Würth 693063010911 )
- 4) changed micro-USB
- 5) added DIP-switch (for select VADJ )
- 6) added series resistors 10K to FLED0,FLED1 and connect to CPLD
- 7) added visual serial number (traceability pad)
- 8) changed RJ45 Ethernet MagJack (TRJG4820G4NL)
- 9) removed pull-up resistor on SD-card (net CMD/MOSI)
- 10) removed LED's D18,D20 and resistor R7 connected to fault output
- 11) fixed wrong connection on EEPROM U9
- 12) removed JTAG connector J23
- 13) added testpoints to PWR
- 14) lib component update

A

A

B


B

C

C

D

D

	Title: <b>TE0705 - Changes list</b>		
	A4	Number: <b>TE0705 default</b>	Rev. <b>04</b>
	Date: <b>2016-10-04</b>	Copyright: <b>Trenz Electronic GmbH</b>	Page <b>17</b> of <b>17</b>
	Filename: <b>Revision_Changes.SchDoc</b>		

1

2

3

4