



Surface Mount IP67 Sealed Tactile

## Specifications

Electrical Ratings	50mA @ 48VDC	Dielectric Strength	250Vrms min
Electrical Life	500,000 cycles typical	Insulation Resistance	≥100MΩ min
Contact Resistance	≤50mΩ initial	Operating Temperature	-40°C to 85°C
Actuation Force	200 ± 50gF 260 ± 50gF	Storage Temperature	-40°C to 85°C
Actuator Travel	.45 + 0.20mm / - 0.10mm	Sealing Degree	IP67
		Quantity per reel	4.3mm = 1K pieces per reel 5.0mm = 1K pieces per reel 7.0mm = 700 pieces per reel

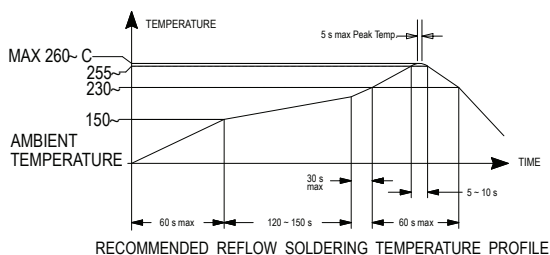
## Materials

Actuator	PA6T Nylon
Actuator Cover	Brass, Tin Plated
Switch Housing	PPS
Seal	Silicone Rubber
Contacts	Stainless Steel, Silver Plated
Terminals	Copper Alloy, Silver Plated

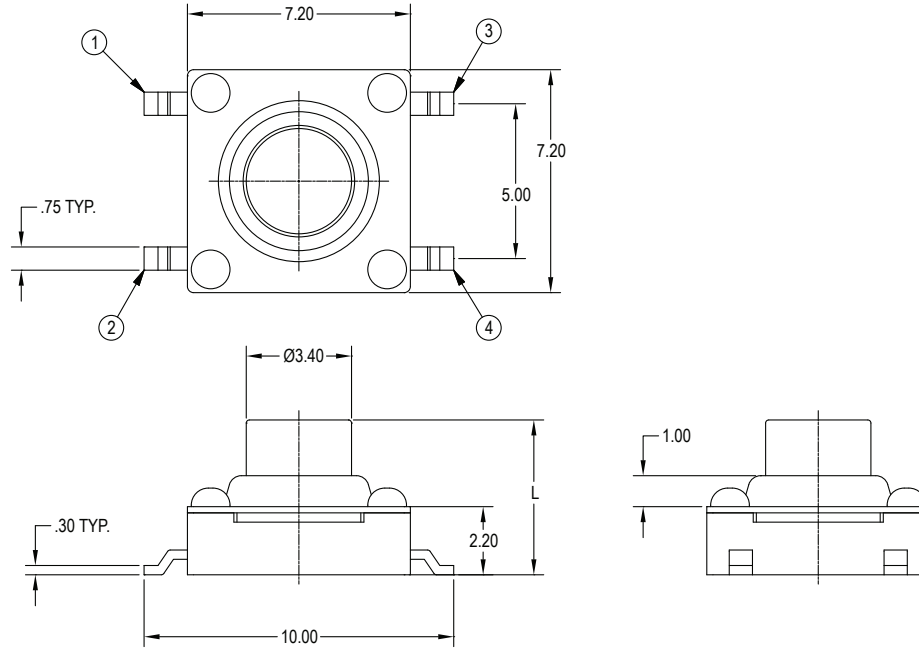
## Ordering Information

1. Series	STS	5.0	L	F200	Q	G
STS						
2. Actuator Height	4.3 = 4.3mm 5.0 = 5.0mm 7.0 = 7.0mm					
3. Contact Options	L = Stainless Steel dome					
4. Actuation Force	F200 = 200gF F260 = 260gF					
5. Contact Material	Q = Silver Plated					
6. Terminal Options	G = Gull Wing					

## Recommended Reflow Soldering Diagram



**Dimensions**



**Schematic & PC Layout**

