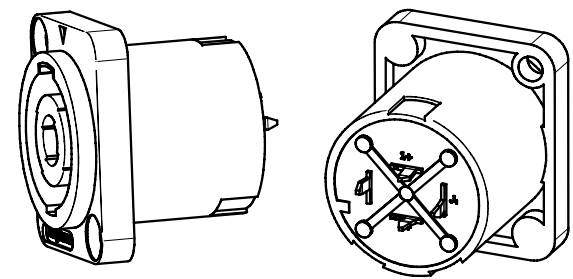
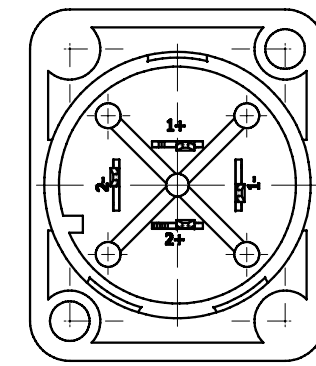
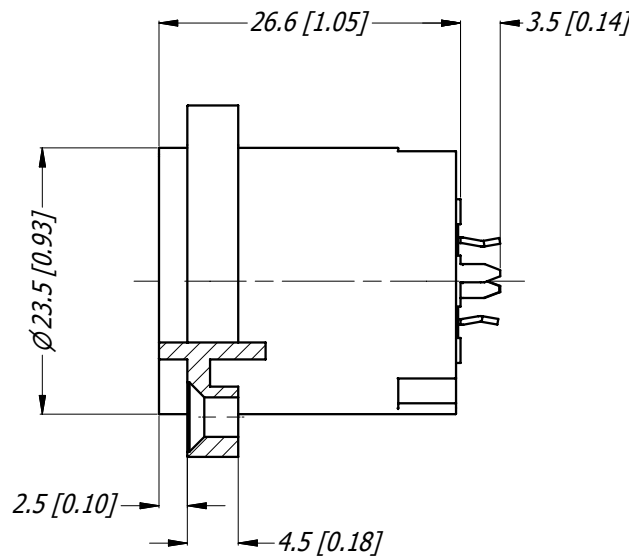
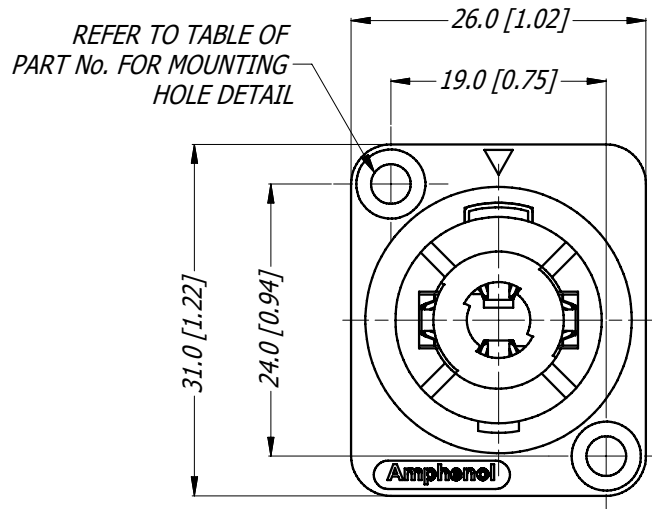


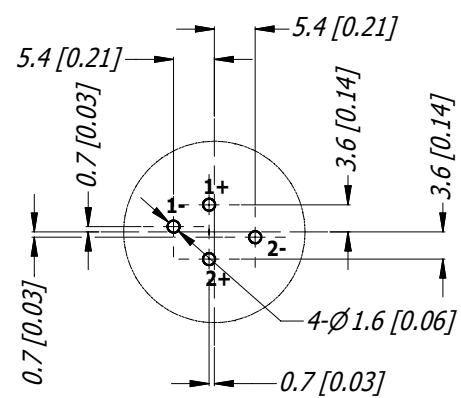
LEGEND  = KEY PRODUCT CHARACTERISTICS

REVISION HISTORY

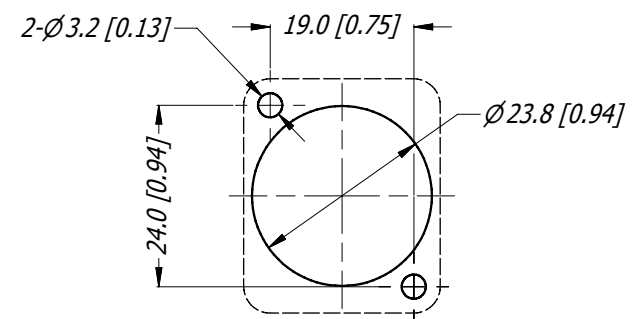
REV	DESCRIPTION	BY	DATE	ECN
0	FIRST ISSUE	HH	14/02/11	8990



3D VIEW (1:1)



PCB LAYOUT (1:1)  
FRONT VIEW



PANEL CUTOUT (1:1)

TABLE OF PART No.

PART No	MOUNTING HOLE	SHELL COLOR
SP-4-MDV	Ø3.5, TRHU HOLES	BLACK
SP-4-MDV-2	Ø3.5, TRHU HOLES	RED
SP-4-MDVT-8	Ø2.3 SELF TAPPING HOLES	GREY

UNLESS OTHERWISE SPECIFIED TOLERANCE TO BE	
LINEAR	ANGULAR
X ± 0.5	X' ± 1
X.X ± 0.1	X.X' ± 30'
X.XX ± 0.05	X.XX" ± 15"

BREAK ALL SHARP EDGES AND REMOVE ALL BURRS

DO NOT SCALE

DIMENSIONS IN MILLIMETRES

THIS DOCUMENT IS THE PROPERTY OF AMPHENOL AUSTRALIA PTY. LTD.  
NO PART THEREOF MAY BE REPRODUCED AND USED WITHOUT THE PRIOR WRITTEN CONSENT OF THE OWNER

MATERIAL: **REFER TO COMPONENTS**

FINISH:

THIRD ANGLE PROJECTION

**Amphenol**

TITLE: **SP SERIES CONNECTOR LOUDSPEAKER 4 POLE, VERTICAL PCB**

CAD FILE: 55010742000210

Amphenol Australia Pty.Ltd,  
2 Fiveways Blvd, Keysborough, VIC 3173

PART No. **REFER TO TABLE**

DRAWING No. **55010742-000-2**

SHEET **2/2**