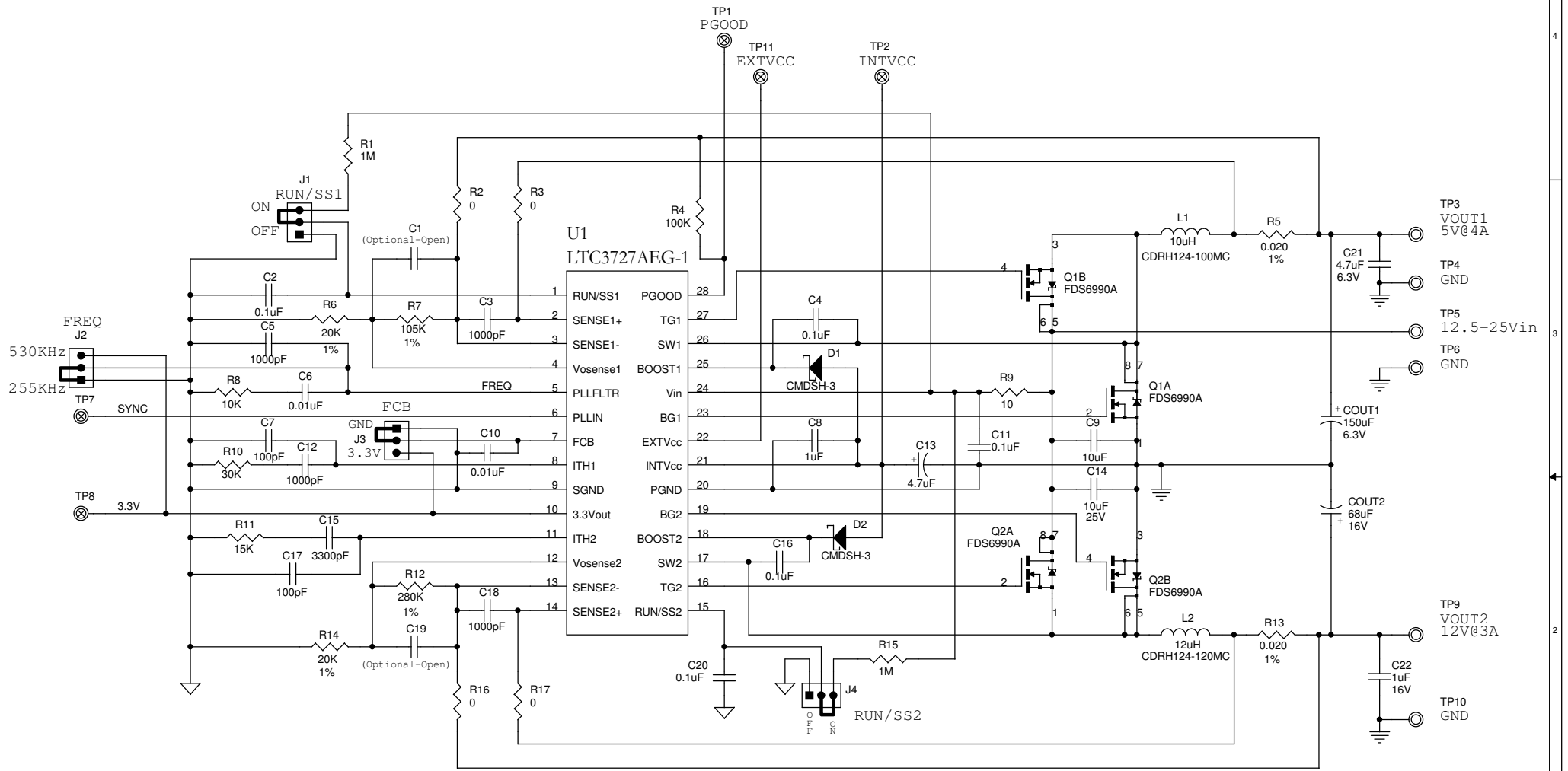


REVISION HISTORY				
ECO	REV	DESCRIPTION	DATE	APPROVED
-	0	1st PROTOTYPE	12/13/05	George Yu



APPROVALS		LINEAR TECHNOLOGY CORPORATION		
DRAWN: Rudy Bautista		1630 McCARTHY BLVD www.linear.com		
ENGINEER: George Yu		MILPITAS, CA. 95035 LTC Confidential -		
APPROVED:		(408) 432-1900 For Customer Use Only		
CHECKED:		(408) 434-0507 (FAX)		
DCxxxA_00.PCB xxxA_x.DSN		Title: MULTI-PHASE SYSTEM POWER SUPPLY		
Date: Tuesday, December 13, 2005		Sheet 1 of 1		Rev 0