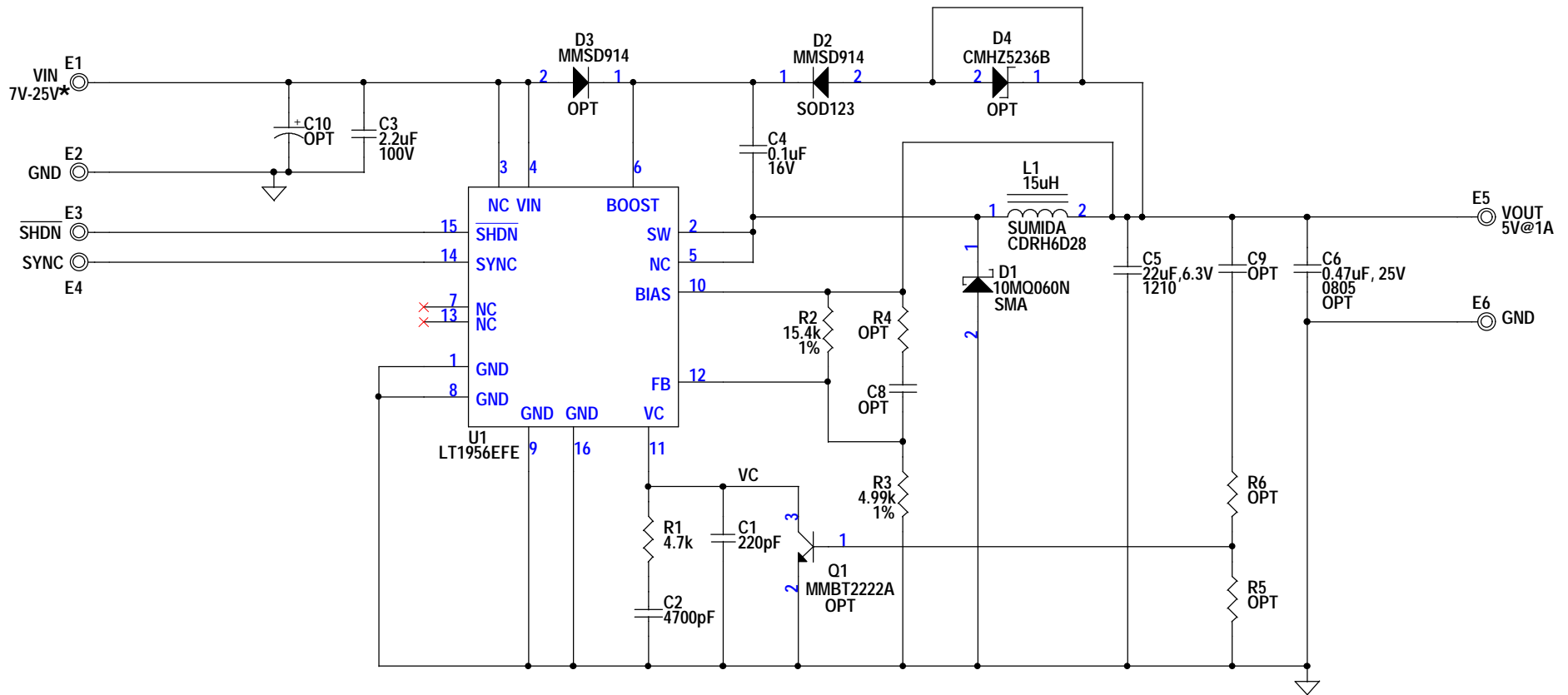



* HIGHER D.C. INPUT VOLTAGES ALLOWED UP TO 60V
(SEE QUICK START GUIDE)



NOTE: UNLESS OTHERWISE SPECIFIED

1. ALL RESISTORS ARE IN OHMS, 0603.
ALL CAPACITORS ARE IN MICROFARADS, 0603.
2. ALL OPTIONAL COMPONENTS WILL HAVE NO COMPONENT OUTLINE ON BOARD EXCEPT Q1, R5, R6, AND C9.

CONTRACT NO.	 1630 McCarthy Blvd. Milpitas, CA 95035 Phone: (408)432-1900 Fax: (408)434-0507 LTC Confidential-For Customer Use Only	
APPROVALS		
DRAWN: KIM T.	TITLE: SCHEMATIC	
CHECKED:	1A, 500KHz HIGH VOLTAGE BUCK CONVERTER	
APPROVED:	SIZE A	REV B
ENGINEER: MARK M.	DWG NO. DC423B-1 * LT1956EFE	
DESIGNER:	DATE: Monday, June 17, 2002	SHEET 1 OF 1