

N1 : SERRAGE SUR PANNEAU COUPLE 5.5 N.m
TIGHTENING ON PANEL TORQUE 5.5 N.m

N2 : MONTAGE SANS GRAISSE
MOUNTING WITHOUT GREASE

N3 : MONTAGE AVEC GRAISSE
MOUNTING WITH GREASE

N4 : ISOLANT HORS FOURNITURE
INSERT NOT SUPPLIED

2.5/0.098 Max.
Multicontacts insert

(5/0.196)

(37/1.456)

MARQUAGE/MARKING

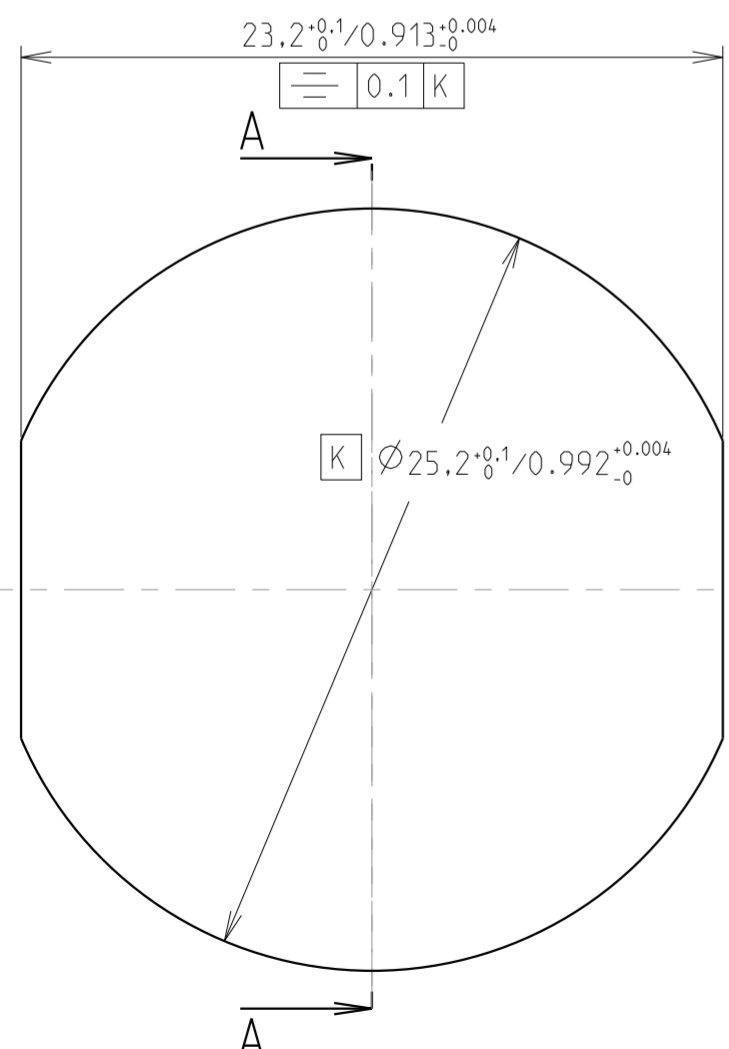
**** JUPITER FR RER14PLY
SEMAINE/WEEK
ANNEE/YEAR

Bande témoin d'accouplement
Mating witness marking

REFERENCE COMMERCIALE
PART NUMBER

CRER14PLY

6	ISOLANT / INSERT
5	JOINT TORIQUE ISOLANT / O-RING INSERT
4	JOINT TORIQUE PANNEAU / O-RING PANEL
3	ECROU DE FIXATION / JAM NUT
2	BAGUE DE RETENUE / RETAINING RING
1	EMBASE RER / RECEPTACLE RER
REP	DESIGNATION

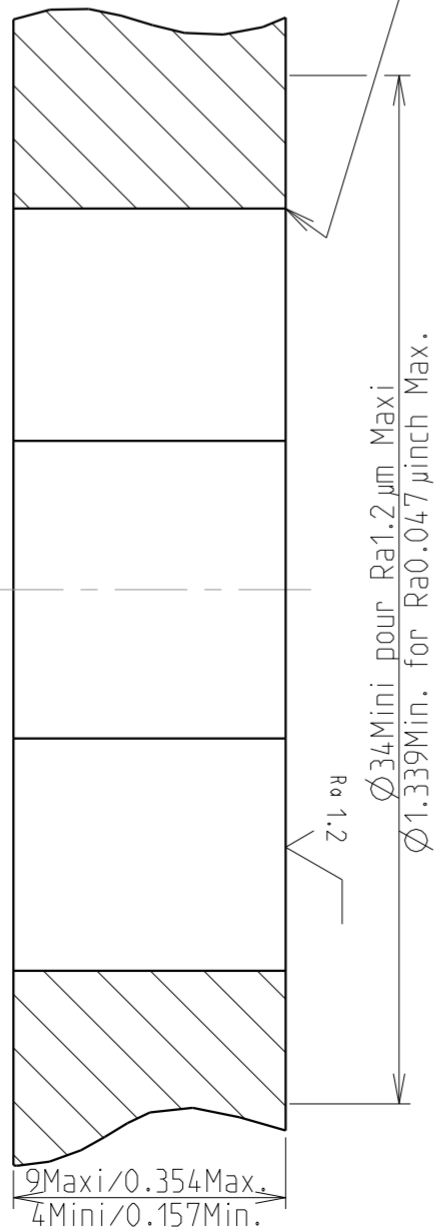


DECOUPE DU PANNEAU
PANEL CUT OUT

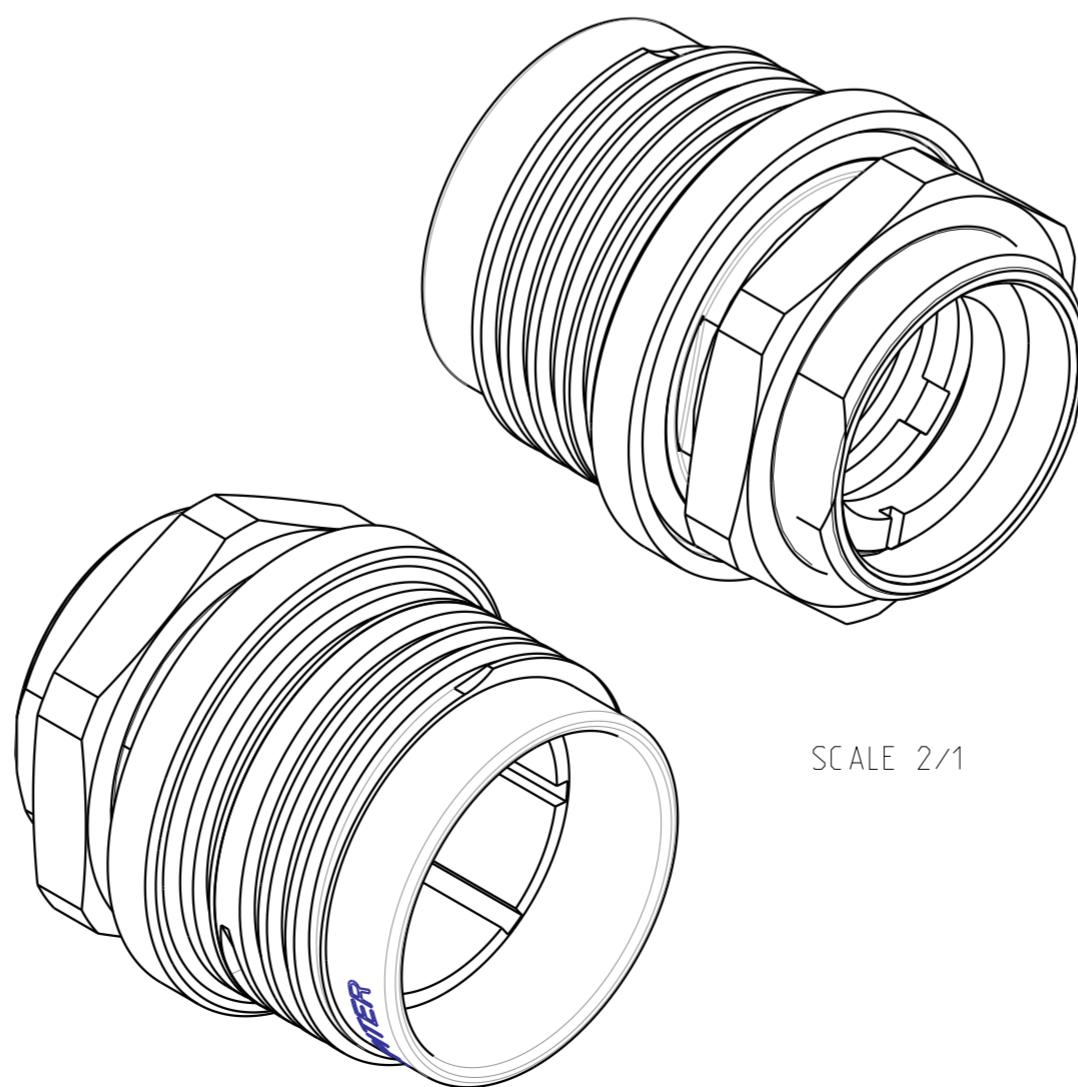
SCALE 4/1

CUT A-A

Cassage d'angle 0.2 Maxi
Breaking edge 0.008in Max.



Ø34Mini pour Ra1.2µm Maxi
Ø1.339Min. for Ra0.047µinch Max.



SCALE 2/1

A	05/09/16	Initial drawing	ORAIN	MEFFRE	DIFF
Iss	Date	MODIFICATIONS	AC Naf.	Designed by	Checked by
MATERIAL --		TREATMENT	PROTECTION/PLATING		
--		--	--		
--		--	CODE --		
DIMENSIONS ARE DEFINED BEFORE PLATING					
TITLE		EMBASE RER / RECEPTACLE RER			PROJECT
		SERIE PL - TAILLE 14			PL54
Material Reference Voir Référence Commerciale / See Part Number					
		Generales tolerances ISO 2768		SOURIAU	
Scale 4/1		General machining Surface texture		SOURIAU 3. RUE DU VALLON ZAC N°2 94440 MAROLLES-EN-BRIE (FRANCE) TEL. 33 (0)1 45 10 78 00	
Geometrical Tolerances: NF EN ISO 1101		This document is the property of SOURIAU it must not be reproduced or communicated without permission.		FORMAT	SHEET
		A2		SOURIAU DRG N° 543E0030A8C	A 1/1