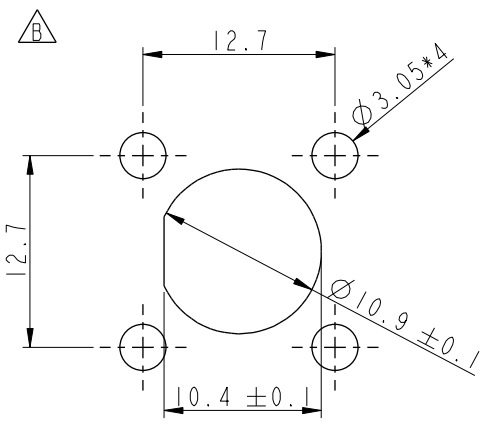
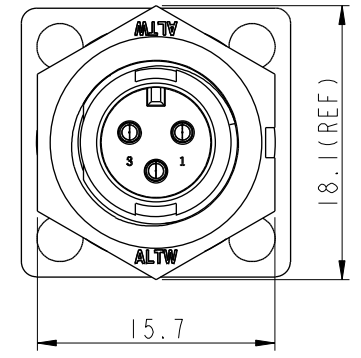
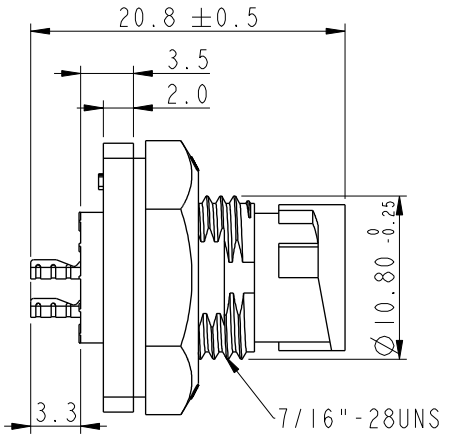
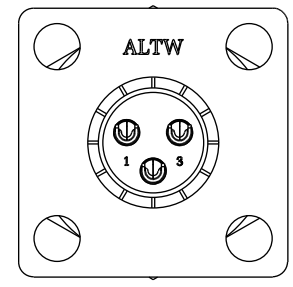


THIS DOCUMENT IS SUBJECT TO CHANGE WITHOUT NOTICE. IT IS CONFIDENTIAL AND A PROPERTY OF Amphenol LTW. DISCLOSURE TO THIRD PARTY HAS TO BE AUTHORIZED BY Amphenol LTW.

REV.	ECN NO.	DATE	SIGN	DESCRIPTION
B	LEN1670208/09	2016/07/12	Mafei	Updated The Recommended Panel Dim.
C	CI90323	2019/03/04	Vicky	Change Note

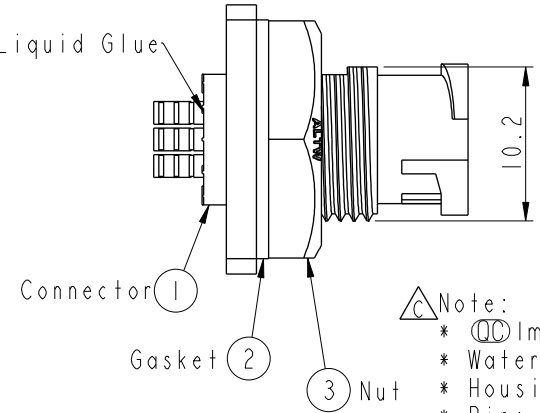


Recommended Panel Cut-Out

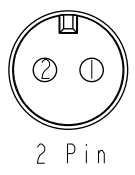
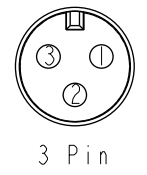


AAD-XXPMS-LS7001  
 02: 2Pin  
 03: 3Pin

With Liquid Glue



- Note:**
- \*  $\varnothing$  Important Dimension To Check.
  - \* Waterproof Rate: IP67, Unmated.
  - \* Housing: Thermoplastic, Black.
  - \* Pin: Copper Alloy, Gold Plated.
  - \* Nut: Thermoplastic, Black.
  - \* Gasket: Rubber, Gray.
  - \* Use with waterproof cap or dust cap  
Maximum Panel Thickness: 2.3mm
  - \* Use without waterproof cap or dust cap  
Maximum Panel Thickness: 3.5mm
  - \* Gasket and Nut are packed separately in PE bags.  
(Gasket/Nut不組裝·散裝出貨)



Pin Assignments Front View



UNIT: mm		TITLE MINI PANEL LOCK M CONN M PIN			ITEM NO	DRAWN BY Vicky	DATE 2019-03-04
		SCALE 2:1	SIZE A4	SHEET 1 OF 1	DWG NO AAD-XXPMS-LS7001	CHECKED BY Rita	DATE 2019-03-04
TOLERANCE .X ±0.25 .XX ±0.1 .XXX ±0.05 ANGLES ±1°		REV. C	WC-REV. A.2	Inspection item	CUSTOMER ALTW	APPROVED BY Max	DATE 2019-03-04

**Amphenol LTW**  
 安費諾亮泰企業股份有限公司