

DESCRIPTION: M12 MALE - PANEL MOUNT (REAR) - RIGHT ANGLE - 8 POS.

NOTE:

MATERIAL

HOUSING: PBT UL94V-0, BLACK
 CONTACT: BRASS
 NUT: BRASS
 O-RING: EPDM, BLACK
 BACK HOUSING: PBT UL94V-0, BLACK
 DOWN HOUSING: PBT UL94V-0, BLACK

FINISH

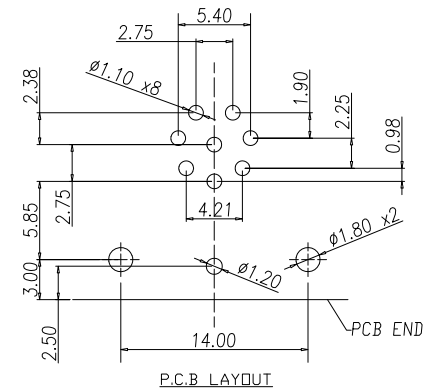
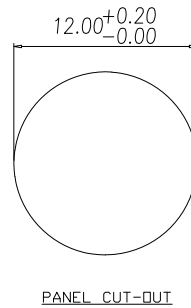
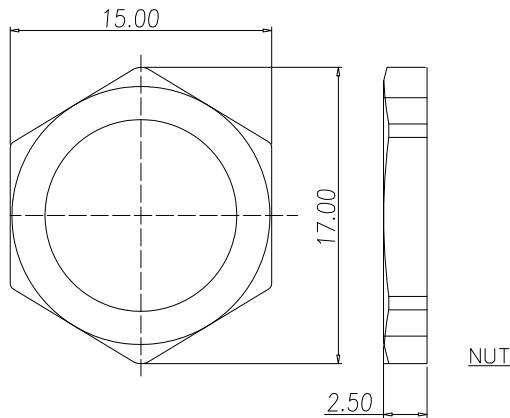
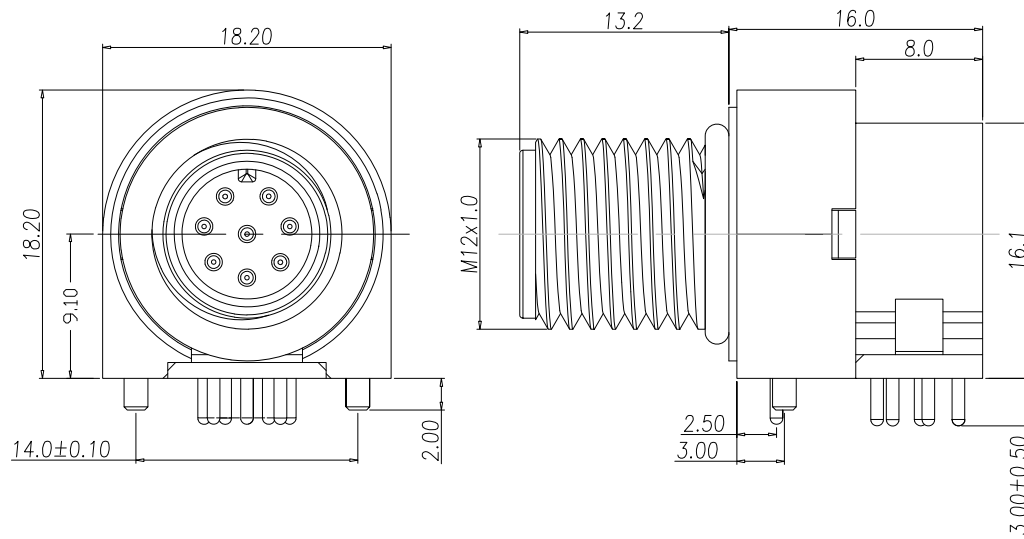
CONTACT: GOLD PLATED
 OVER 50u" NICKEL
 SHELL: SATIN NICKEL
 80u" TO 100u" OVER ALL

ELECTRICAL

RATED CURRENT: 2A
 RATED VOLTAGE: 30V
 INSULATION RESISTANCE: 100 MOhms MIN.
 CONTACT RESISTANCE: 10 mOhms MAX.
 WATER PROOF: IP67

ENVIRONMENT

OPERATION TEMPERATURE: -40°C TO +85°C



861-008-113R00Y

3 = BRASS/NICKEL SHELL & NUT
 S = STAINLESS STEEL SHELL & NUT

1 = GOLD FLASH
 4 = 10u" GOLD

RoHS COMPLIANT



THESE DRAWINGS AND SPECIFICATIONS ARE THE PROPERTY OF NorComp AND SHALL NOT BE REPRODUCED, COPIED OR USED AS THE BASIS FOR THE MANUFACTURE OR SALE OF APPARATUS WITHOUT WRITTEN PERMISSION.

DRAWN:
M. SIGMON

DATE:
 03/07/2016

TOLERANCE

.x ±0.20
 .xx ±0.10
 .xxx ±0.05
 .xxxx ±0.03
 ANGULA ±1°

UNITS = mm

NorComp

DO NOT SCALE FROM DRAWING

SCALE: NTS	SHEET 1	OF 1	REV 4
---------------	------------	---------	----------

DWG NO. **861-008-113R00Y**