

Data sheet | Item number: 855-5001/750-000

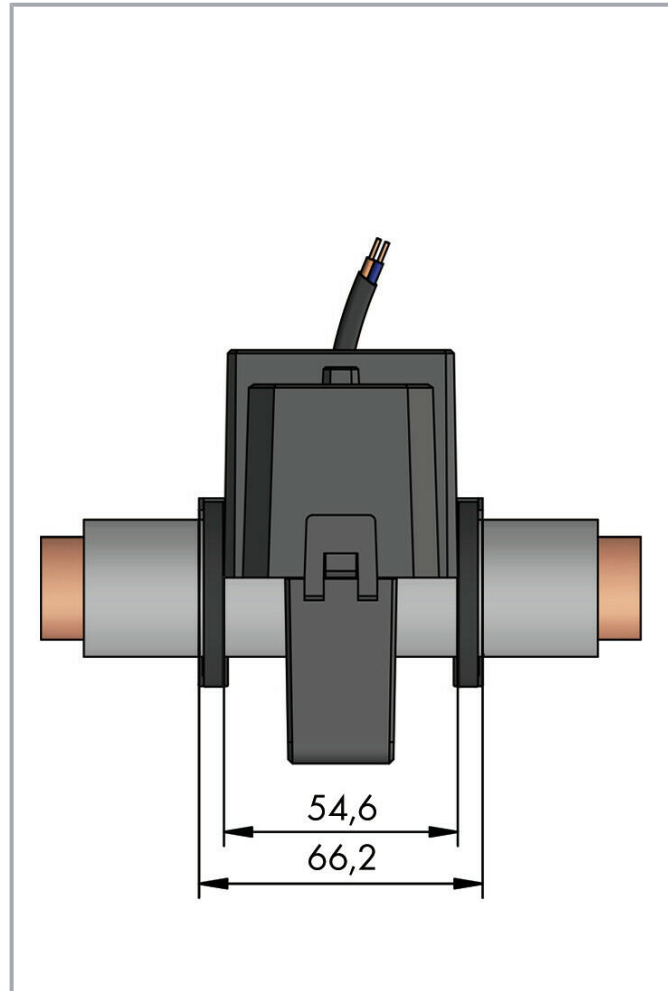
Split-core current transformer; Primary rated current 750 A; Secondary rated current: 1 A; Rated power: 0.5 VA; Accuracy class: 0.5



www.wago.com/855-5001/750-000



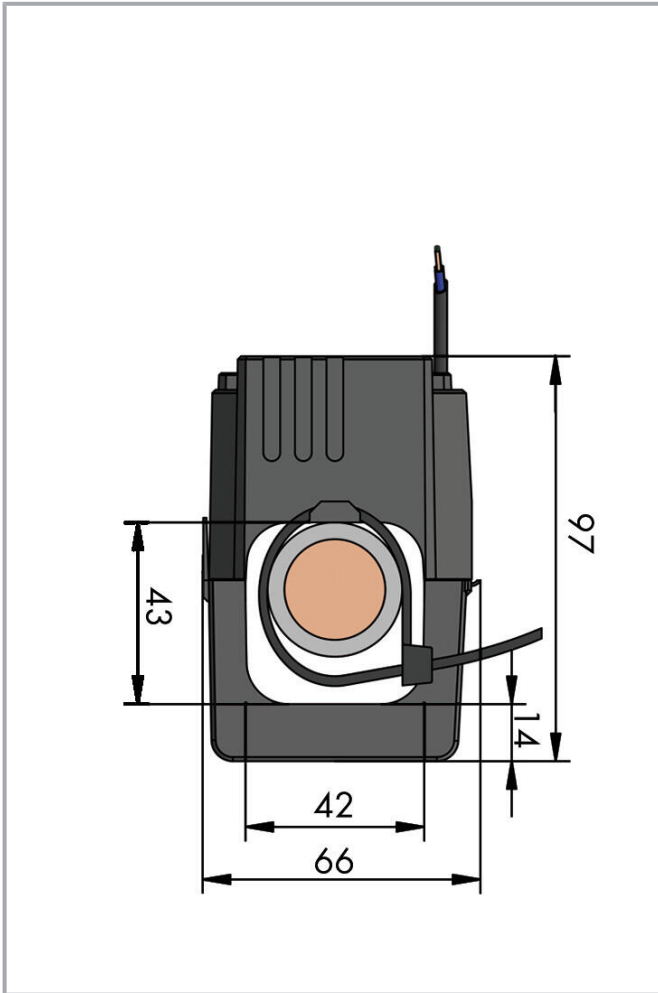
 Picture differs from the item.



Subject to changes. Please also observe the further product documentation!

WAGO GmbH & Co. KG
Hansastr. 27
32423 Minden
Phone: +49571 887-0 | Fax: +49571 887-169
Email: info.de@wago.com | Web: www.wago.com

Do you have any questions about our products?
We are always happy to take your call at +49 (571) 887-44222.



Item description

Short description:

WAGO's compact split-core current transformers are ideal for retrofitting existing systems. They are perfect for applications in which the current path must not be disrupted. The transformer's accuracy permits extremely precise current measurements. The split-core current transformers are capable of supplying the specified rated power at the end of the secondary cable. All transformers are supplied with color-coded cables. Two UV-resistant cable ties are also included for secure and easy mounting.

Features:

- Current ratios from 750 A (primary side) and 1 A (secondary side)
- No primary cable interruption
- Ideal for use in very confined spaces
- Rapid mounting
- For use around insulated cables (up to 42 mm Ø)

—
Subject to changes. Please also observe the further product documentation!



- Compact and hinged
- Color-coded connection cable (5 m)

Data

Technical data

Input Current Transformers

Primary rated current	750 A
Rated continuous thermal current I_{cth}	100 %
Rated short-time thermal current I_{th}	$60 \times I_N / 1 \text{ s}$
Rated surge current I_{dyn}	$2.5 \times I_{th}$
Rated frequency	50 ... 60 Hz

Output (current transformer)

Secondary rated current	1 A
Rated power S_r	0.5 VA

Measurement Error

Accuracy class	0.5
----------------	-----

Safety and protection

Highest voltage for equipment U_m	AC 720 V _{rms}
Protection type	IP20

Test voltage

Test voltage	AC 3 kV; 50 Hz; 1 min
--------------	-----------------------

Connection data

Feedthrough for measurement conductor	Ø 42 mm
Cable type	2 x 0.5 mm ² ; fine-stranded
Color code	brown = S1; blue = S2

Subject to changes. Please also observe the further product documentation!



Physical data

Cable length	5 m
--------------	-----

Mechanical Data

Mounting type	Split-core current transformer (suspended)
---------------	--

Material Data

Flammability class per UL94	V2
-----------------------------	----

Weight	690 g
--------	-------

Environmental requirements

Ambient temperature (operation)	-10 ... +55 °C
---------------------------------	----------------

Ambient temperature (storage)	-20 ... +70 °C
-------------------------------	----------------

Relative humidity	5 ... 85 % (without condensation)
-------------------	-----------------------------------

Operating altitude (max.)	2000 m
---------------------------	--------

Standards and specifications

Conformity marking	CE
--------------------	----

Standards/specifications	EN 61869-1 EN 61869-2
--------------------------	--------------------------

Commercial data

ETIM 8.0	EC002048
----------	----------

ETIM 7.0	EC002048
----------	----------

PU (SPU)	1 pcs
----------	-------

Packaging type	box
----------------	-----

Country of origin	NL
-------------------	----

GTIN	4055143950497
------	---------------

Customs tariff number	85043180888
-----------------------	-------------

Environmental Product Compliance

RoHS Compliance Status	Compliant, No Exemption
------------------------	-------------------------

Subject to changes. Please also observe the further product documentation!

WAGO GmbH & Co. KG

Hansastr. 27

32423 Minden

Phone: +49571 887-0 | Fax: +49571 887-169


Email: info.de@wago.com | Web: www.wago.com

Do you have any questions about our products?

We are always happy to take your call at +49 (571) 887-44222.


Approvals / Certificates

General approvals

Logo	Approval	Additional Approval Text	Certificate name
	EAC Brjansker Zertifizierungsstelle	TP TC 004/2011, TP TC 020/2011	EAC RU C-DE.AM02.B.00111 /19

Optional accessories

Signal conditioner

Current signal conditioner			
	Item no.: 857-551 Current signal conditioner; Current input signal; Current and voltage output signal; Digital output; Configuration via software; Supply voltage: 24 VDC; 6 mm module width	www.wago.com/857-551	

Downloads

Documentation

Bid Text

docx - Datei		docx 15.6 kB	Download
X81 - Datei		xml 5.5 kB	Download

Instruction Leaflet

Kabelumbau-Stromwandler	V 1.1.0 2020 Jan 15	pdf 832.5 kB	Download
-------------------------	------------------------	-----------------	----------

Engineering-Software

Configuration and Commissioning Software

WAGO Interface Configuration Software G2 FULL The full setup, in addition to the WAGO Interface Configuration Software G2, includes the installation for the Microsoft .NET Framework.	1.00.10.01 2022 Jan 20	exe 114.9 MB	Download
---	---------------------------	-----------------	----------

Subject to changes. Please also observe the further product documentation!

Environmental Product Compliance

Compliance Search

Environmental Product Compliance 855-5001/750-000

[URL](#)

[Download](#)

Split-core current transformer; Primary rated current 750 A; Secondary rated current: 1 A; Rated power: 0.5 VA; Accuracy class: 0.5

Installation Notes

Installation



Simple termination!



Quick and easy mounting!



Subject to changes. Please also observe the further product documentation!