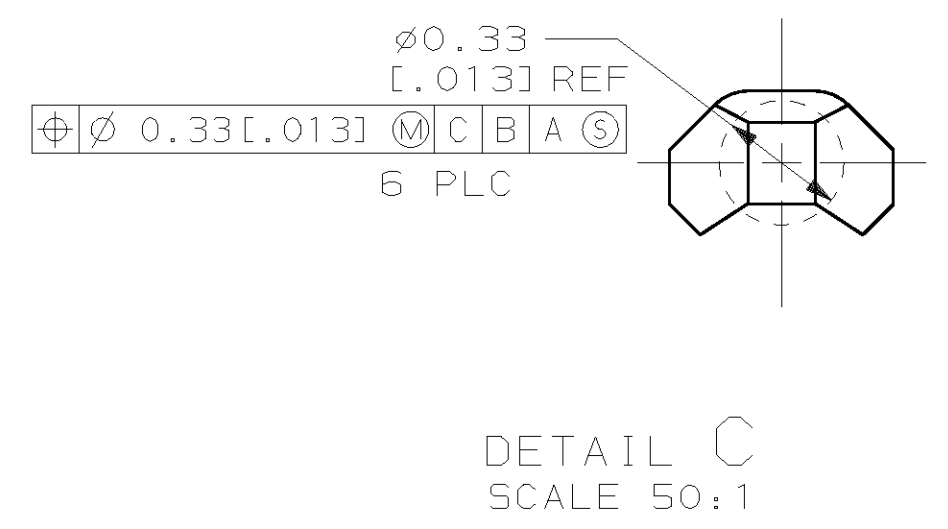
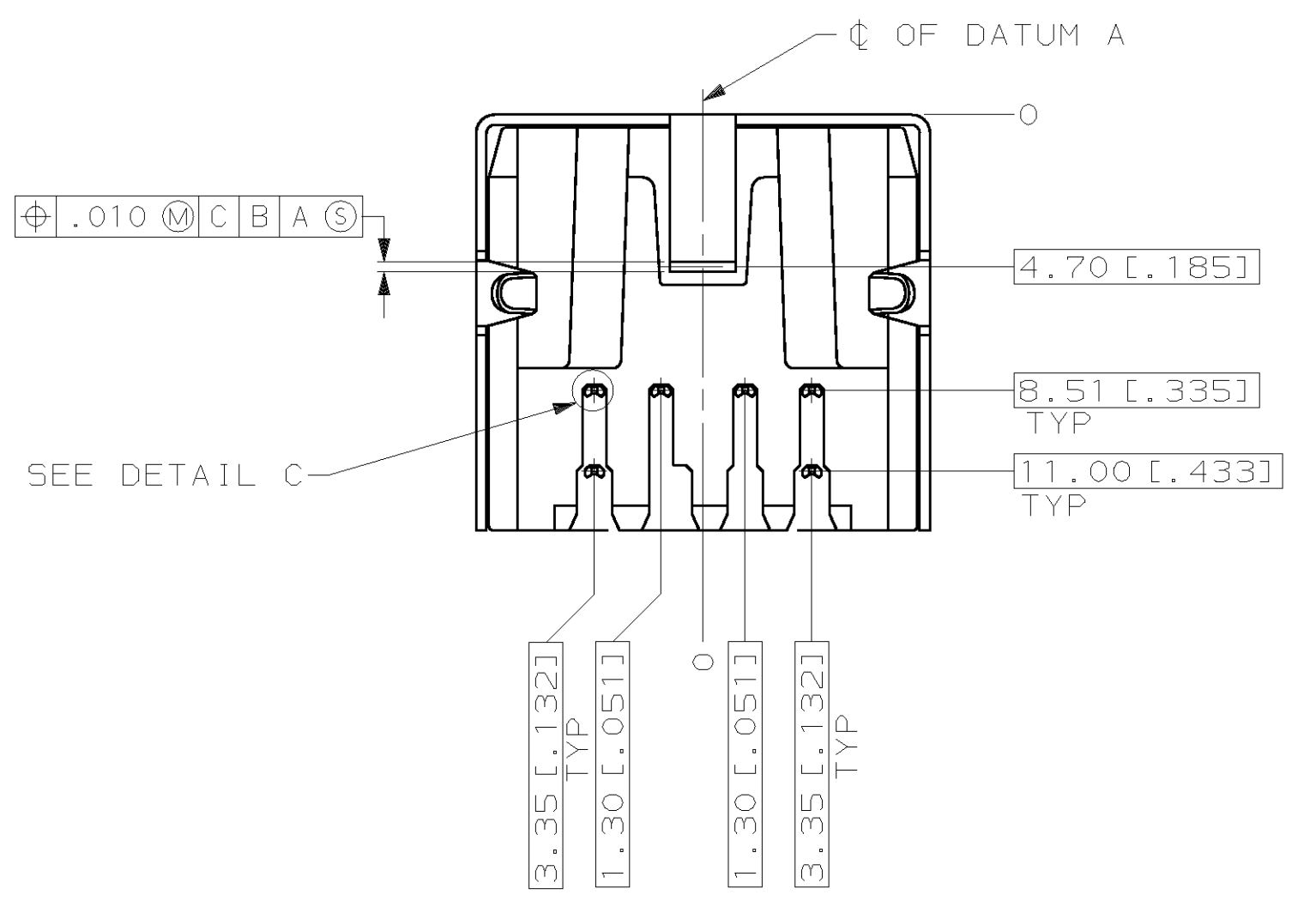
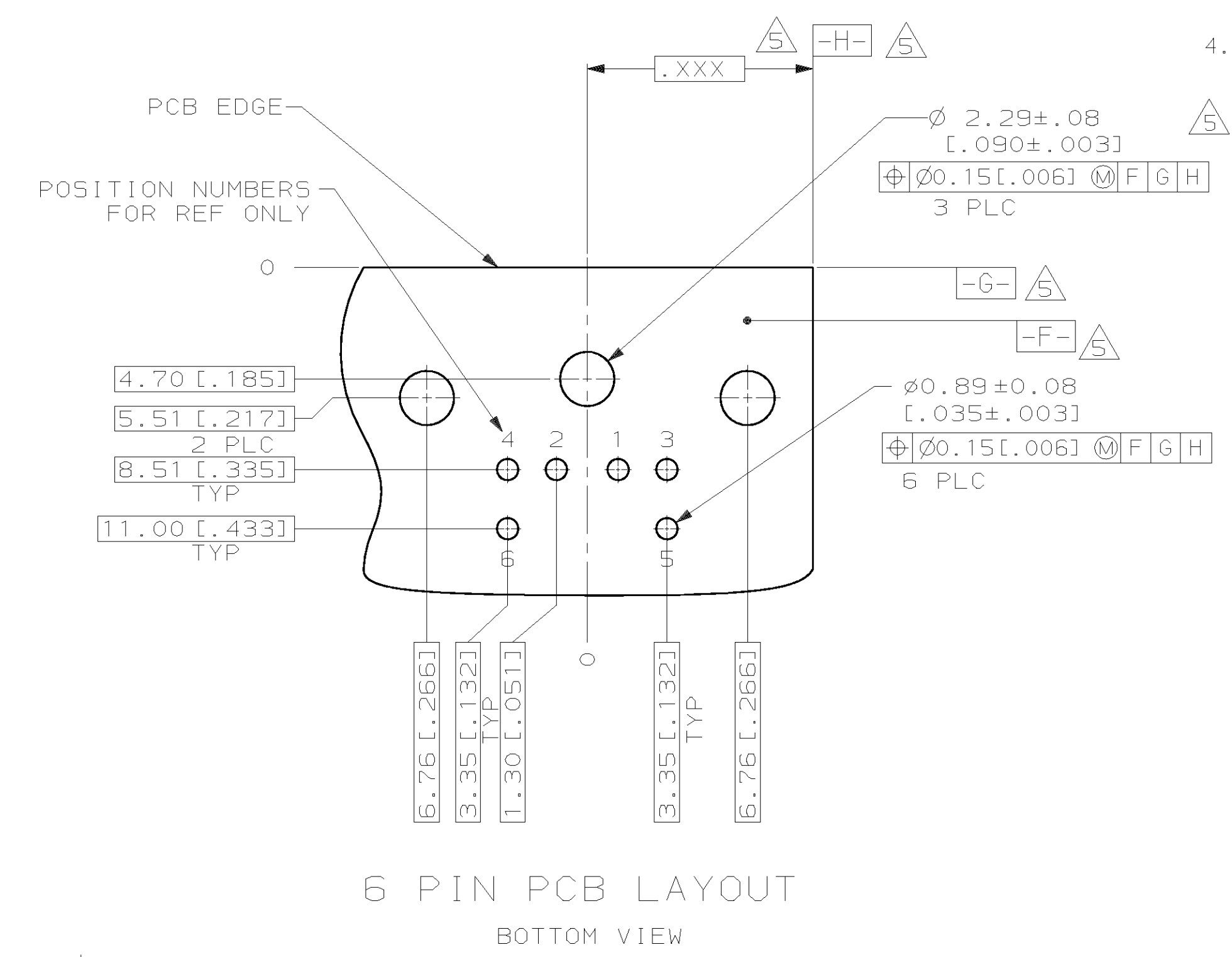
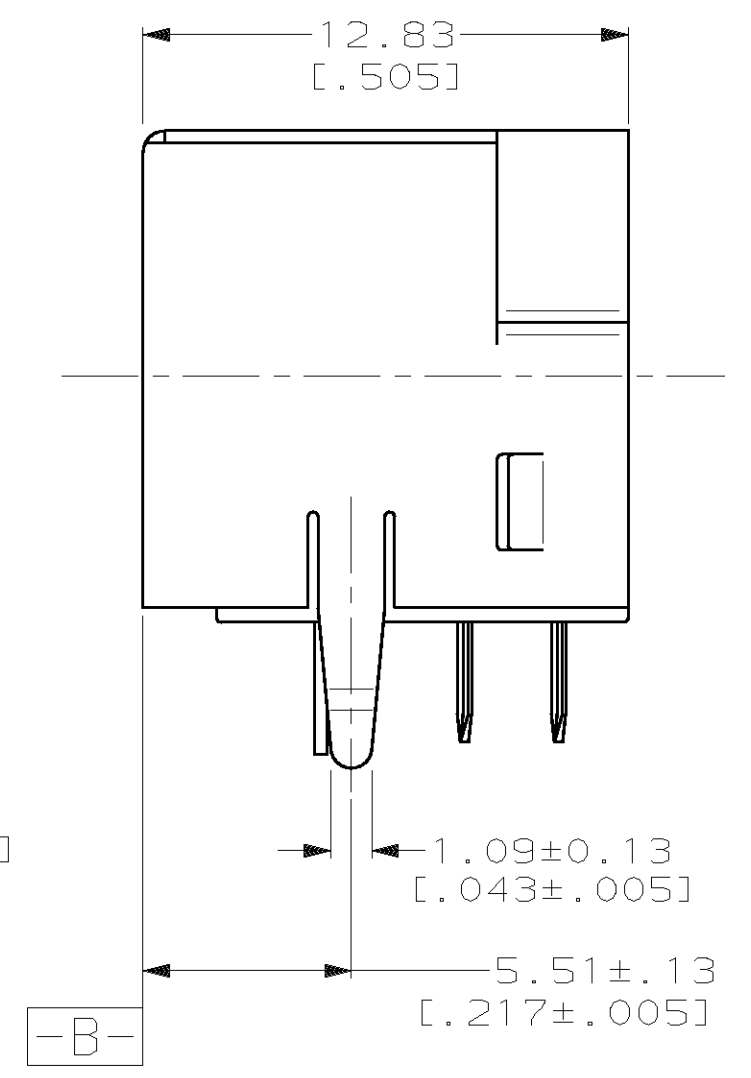
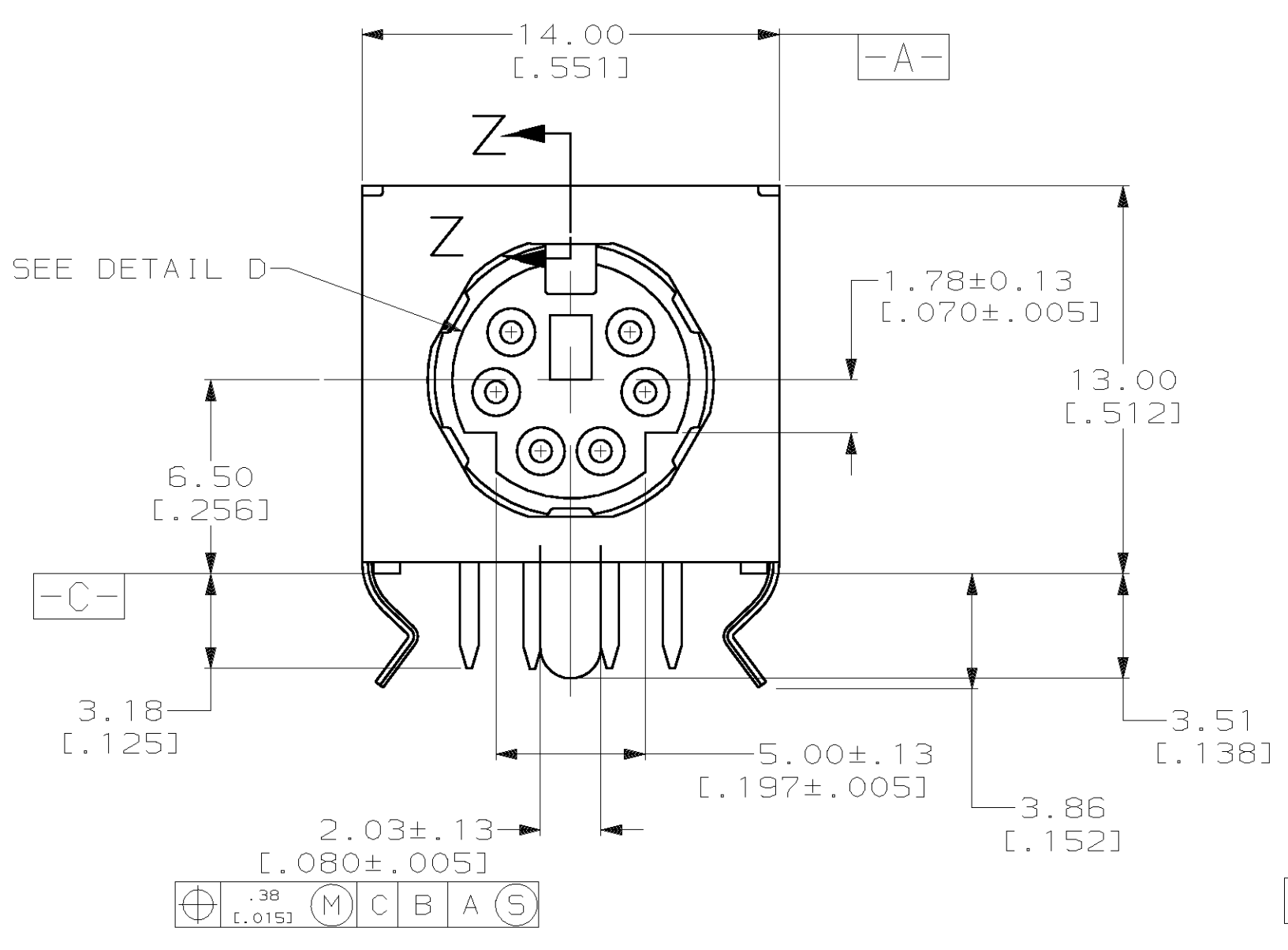
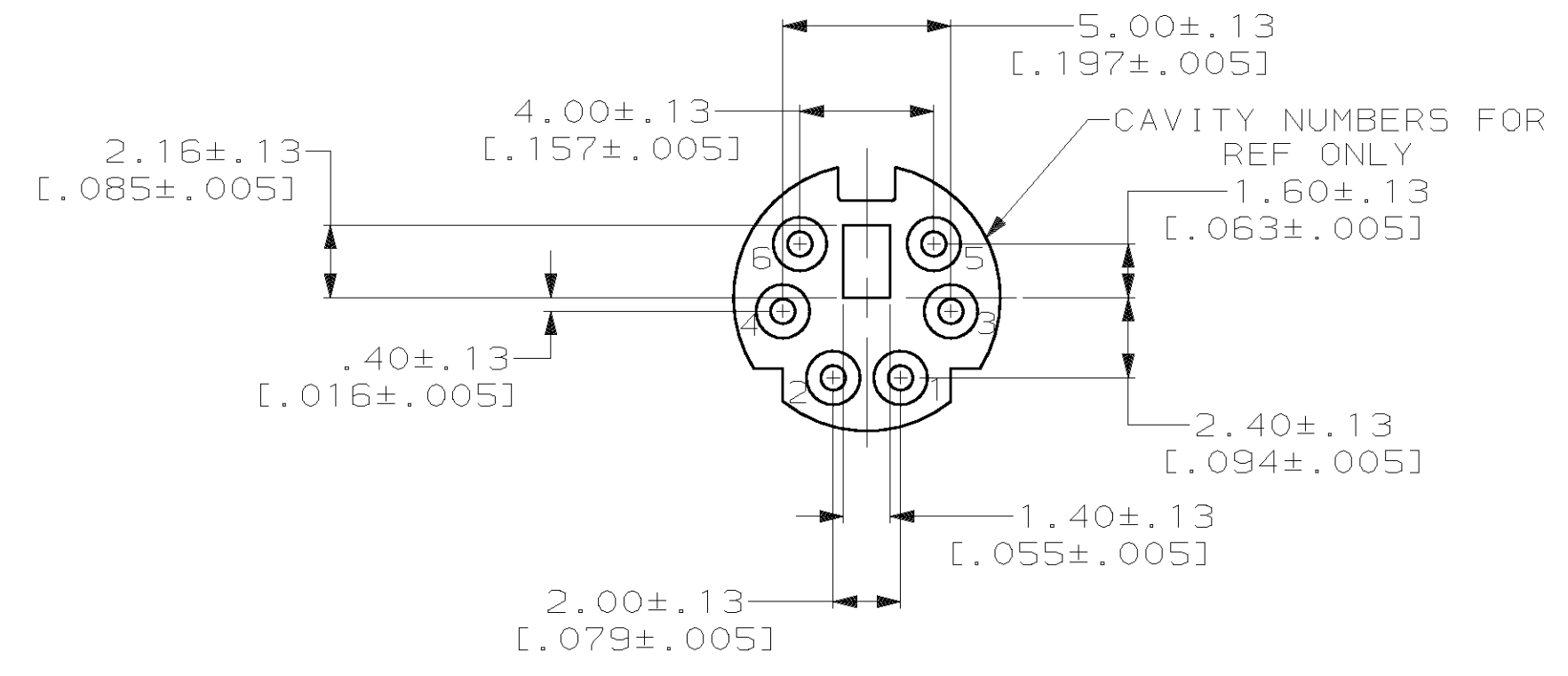
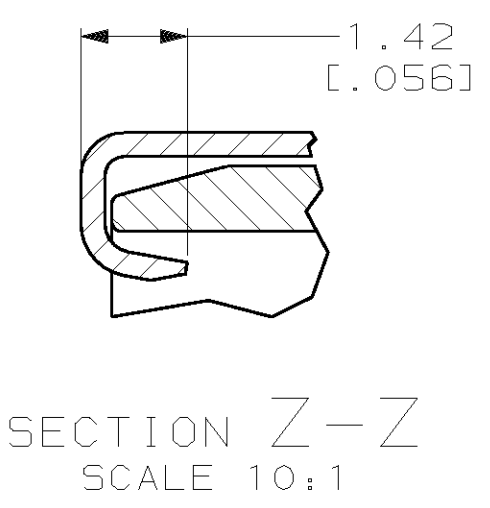
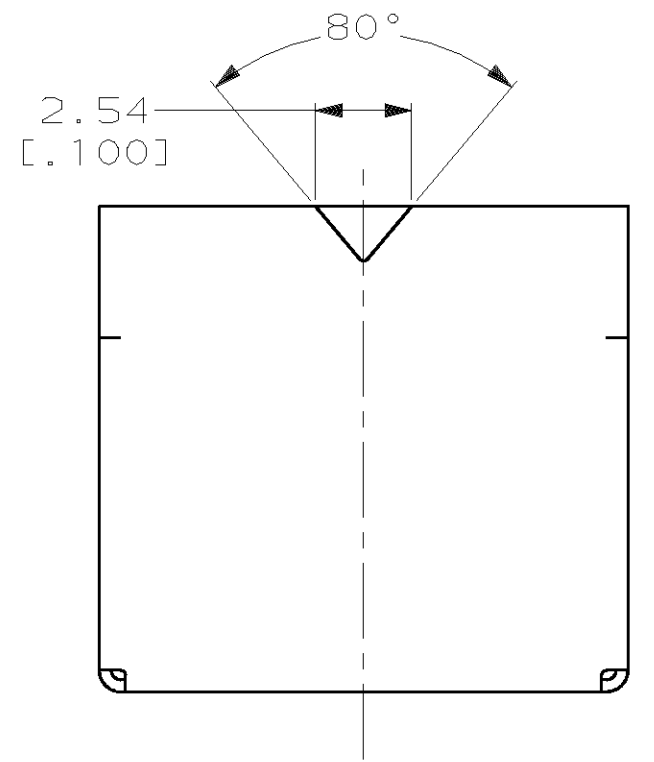


LOC		DIST		P		F		ZONE		LTR		REVISIONS			
GP	00											DESCRIPTION	DATE	APPD	
												L	REVISED PER EC 0513-0291-02	10FEB03	JG



- 1 RECEPTACLE CONTACTS: COPPER ALLOY.
RECEPTACLE SHIELD: COPPER ALLOY.
HOUSING: THERMOPLASTIC, BLACK, 94V-0 RATED.
- 2 PLATING:
RECEPTACLE CONTACTS - GOLD FLASH PLATED ON MATING END, TIN-LEAD PLATED .0030 MIN [.000120 MIN] THICK ON SOLDER TAIL ALL OVER .0013 MIN [.000050 MIN] THICK NICKEL.
- 3 PLATING:
SHIELD: 1.50-4.00µm [.000059-.000158] THICK BRIGHT TIN.
- 4. RECEPTACLE ASSEMBLY MATES WITH 6 PIN 9.00±.10 [.354±.004] DIAMETER PLUG.
- 5 DATUMS AND BASIC DIMENSION SUPPLIED BY CUSTOMER.

OBSOLETE	POSITIONS 1,2,3,4	749231-2
	ALL POSITIONS	749231-1
	CONTACT LOADING	PART NO

DO NOT SCALE PRINT. UNLESS SPECIFIED DIMENSIONS IN mm [INCHES] TOLERANCES ON:		DR 1-24-89 P.005M05		AMP INCORPORATED Harrisburg, Pa. 17105	
2 PLC DEC ±		CHK 1-24-89 C.0HL			
3 PLC DEC ± 0.381 [.015]		APPD 1-24-89 B.H.MOSSER		NAME	
ANGLES ± 0°30'		APPD 1-24-89 E.C.MYERS		RECEPTACLE ASSY W/HOLD DOWN, 6 POS, RIGHT ANGLE, MINIATURE CIRCULAR DIN	
MATERIAL		PRODUCT SPEC 108-1225		SIZE	
FINISH		APPLICATION SPEC		FSCM NO 00779	
WEIGHT		DRAWING NO 749231		SCALE 5:1	
		SHEET 1 OF 1			