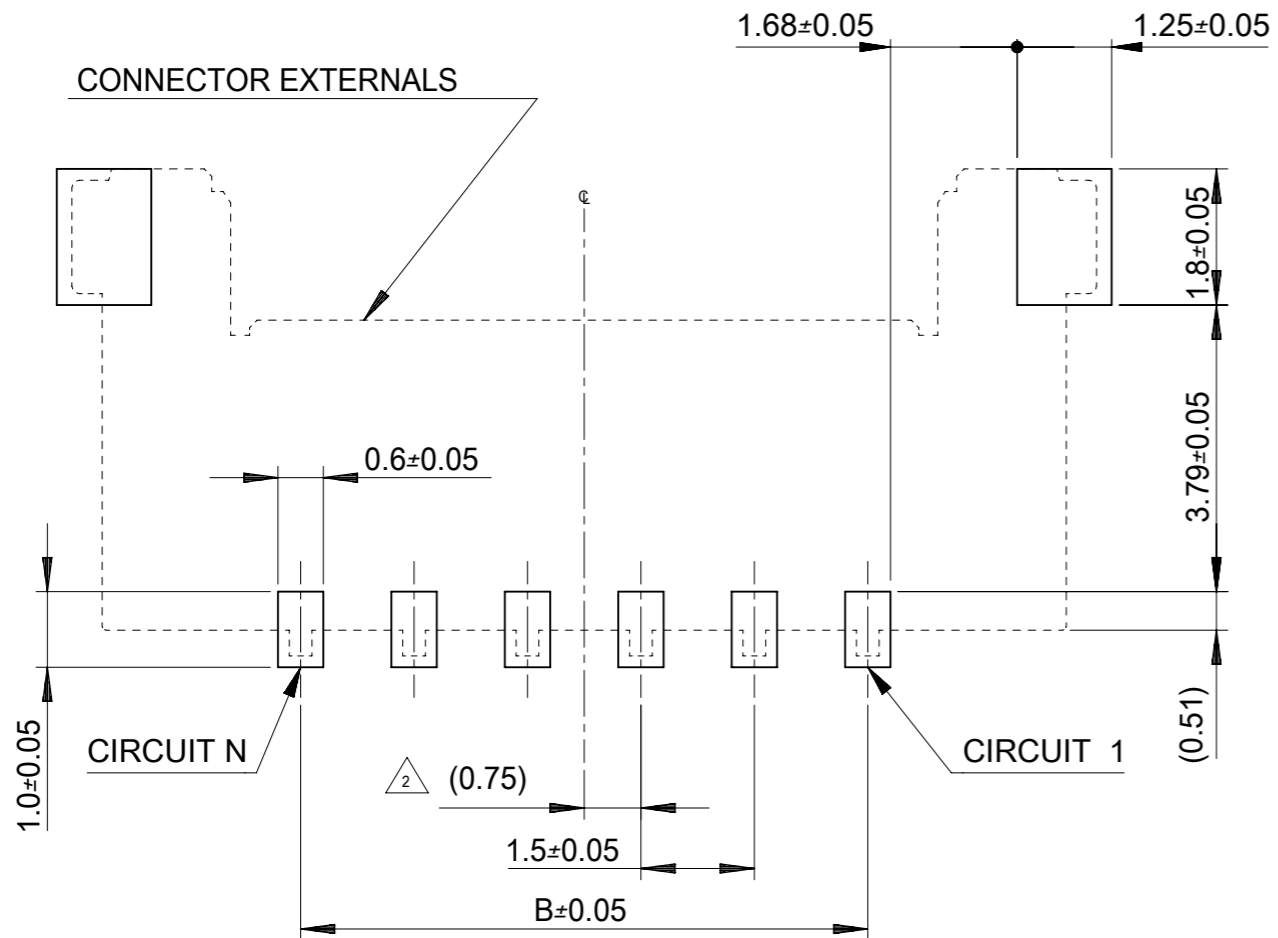


NOTE.

1. 嵌合相手 : 5 0 4 0 5 1 * * * *
MATE WITH : 504051****
2. 偶数極の製品に適用
APPLY EVEN CIRCUIT PRODUCTS.
3. 材質
MATERIAL
ハウジング : ポリアミド(PA)
UL 9 4 - V 0 BLACK
HOUSING : POLYAMIDE(PA)
UL94-V0 BLACK
ターミナル、ネール : 銅合金
TERMINAL、NAIL: COPPER ALLOY
4. めっき
PLATING
ターミナル : ニッケル下地めっき 1.0micro-meter MIN.、
コンタクト : 金めっき0.1micro-meter MIN. 半田付け部 : 金めっき
TERMINAL : UNDER NICKEL PLATING 1.0micro-meter MIN. CONTACT :
GOLD PLATING0.1micro-meter MIN. TAIL : GOLD PLATING
ネール : ニッケル下地めっき 1.0micro-meter MIN. 錫めっき 1.0micro-meter MIN.
NAIL:UNDER NICKEL PLATING 1.0micro-meter MIN.
TIN PLATING 1.0micro-meter MIN.
5. ソルダータイルとネイルの平坦度 : 0.08mm MAX.
SOLDER TAIL AND FITTING NAIL COPLANARITY : 0.08mm MAX.
6. ELV及びRoHS適合品
ELV AND RoHS COMPLIANT.
7. 製品仕様及び取扱いについては、製品仕様書PS-504051-001
及びコネクタ取扱説明書AS-504051-001を参照願います。
PLEASE REFER TO PRODUCT SPECIFICATION PS-504051-001
AND APPLICATION SPECIFICATION AS-504051-001.
8. 梱包仕様書 : SPK-504050-001.
PACKING INFORMATION SPK-504050-001.

17.85	16.5	21.75	12
14.85	13.5	18.75	10
11.85	10.5	15.75	8
10.35	9.0	14.25	7
8.85	7.5	12.75	6
7.35	6.0	11.25	5
5.85	4.5	9.75	4
C	B	A	極数 CIRCUIT SIZE

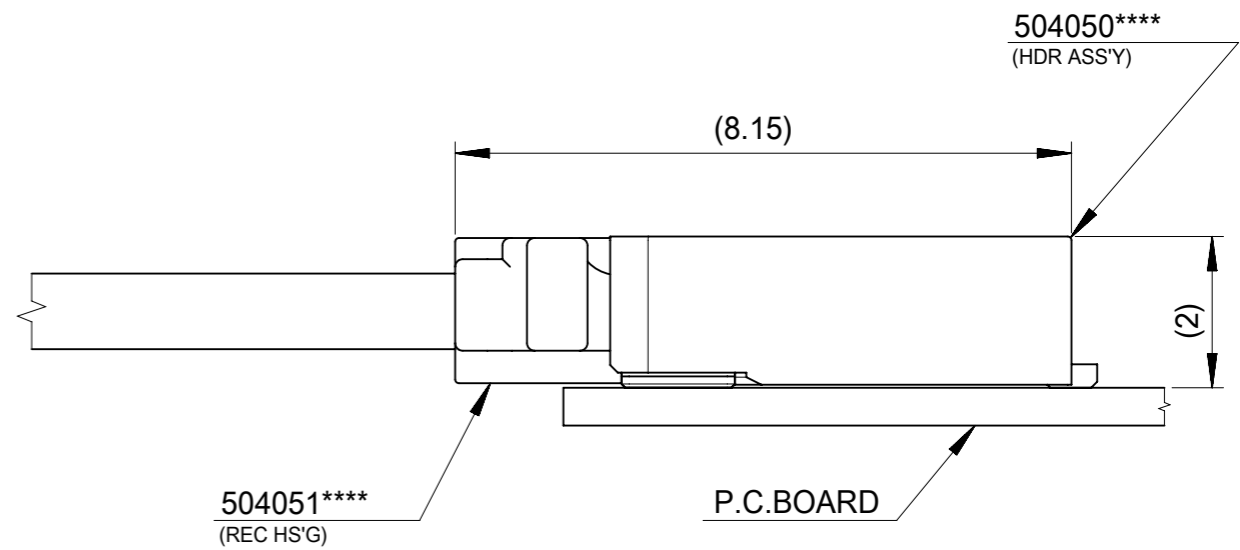
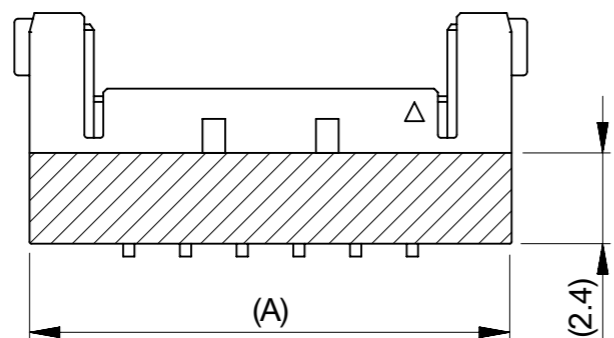
THIS DRAWING CONTAINS INFORMATION THAT IS PROPRIETARY TO MOLEX ELECTRONIC TECHNOLOGIES, LLC AND SHOULD NOT BE USED WITHOUT WRITTEN PERMISSION		CURRENT REV DESC:		molex	
DIMENSION UNITS	SCALE				
mm	NTS			PICO-LOCK1.5 HDRASSY SGLRW R/A ETP H=2 FOR CIRCUIT SIZE 4-8, 10,12	
GENERAL TOLERANCES (UNLESS SPECIFIED)		EC NO: 640538		PRODUCT CUSTOMER DRAWING	
ANGULAR TOL	± 3.0 °	DRWN: QHE31	2020/07/01	DOCUMENT NUMBER	
4 PLACES	± 0.2	CHK'D: SAKIYAMA	2020/07/06	DOC TYPE DOC PART REVISION	
3 PLACES	± 0.2	APPR: KOMURAKAMI	2020/07/07	5040500000-SD PSD 000 B	
2 PLACES	± 0.2	INITIAL REVISION:		MATERIAL NUMBER	
1 PLACE	± 0.2	DRWN: QHE31	2018/03/14	CUSTOMER	
0 PLACES	± 0.2	APPR: KOMURAKAMI	2019/02/18	SHEET NUMBER	
DRAFT WHERE APPLICABLE MUST REMAIN WITHIN DIMENSIONS		THIRD ANGLE PROJECTION	DRAWING	SERIES	SHEET NUMBER
			A3-SIZE	504050	1 OF 3



RECOMMENDED PATTERN LAYOUT (REF.)

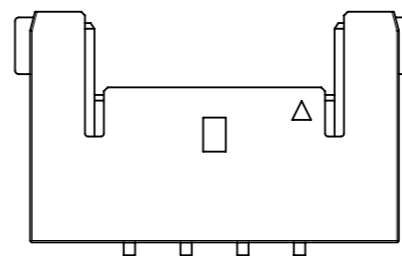
推奨メタルマスク厚さ:0.1mm、開口率:100%。
 RECOMMEND STENCIL MASK THICKNESS: 0.1mm, APERTURE RATIO: 100%.

吸着エリア
 PICK-UP AREA

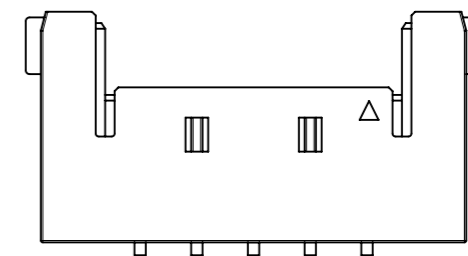


MATED CONNECTORS

NUMBER of LOCK

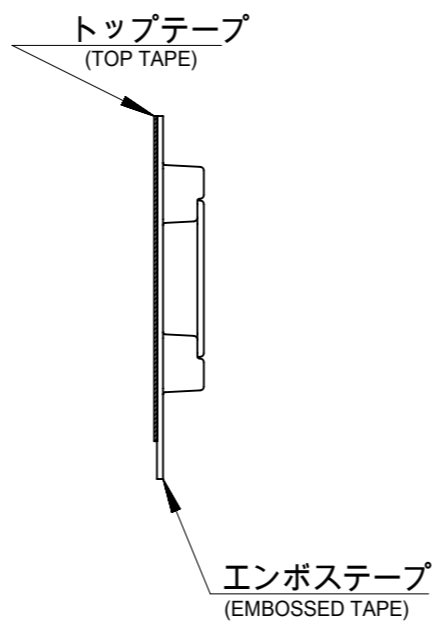
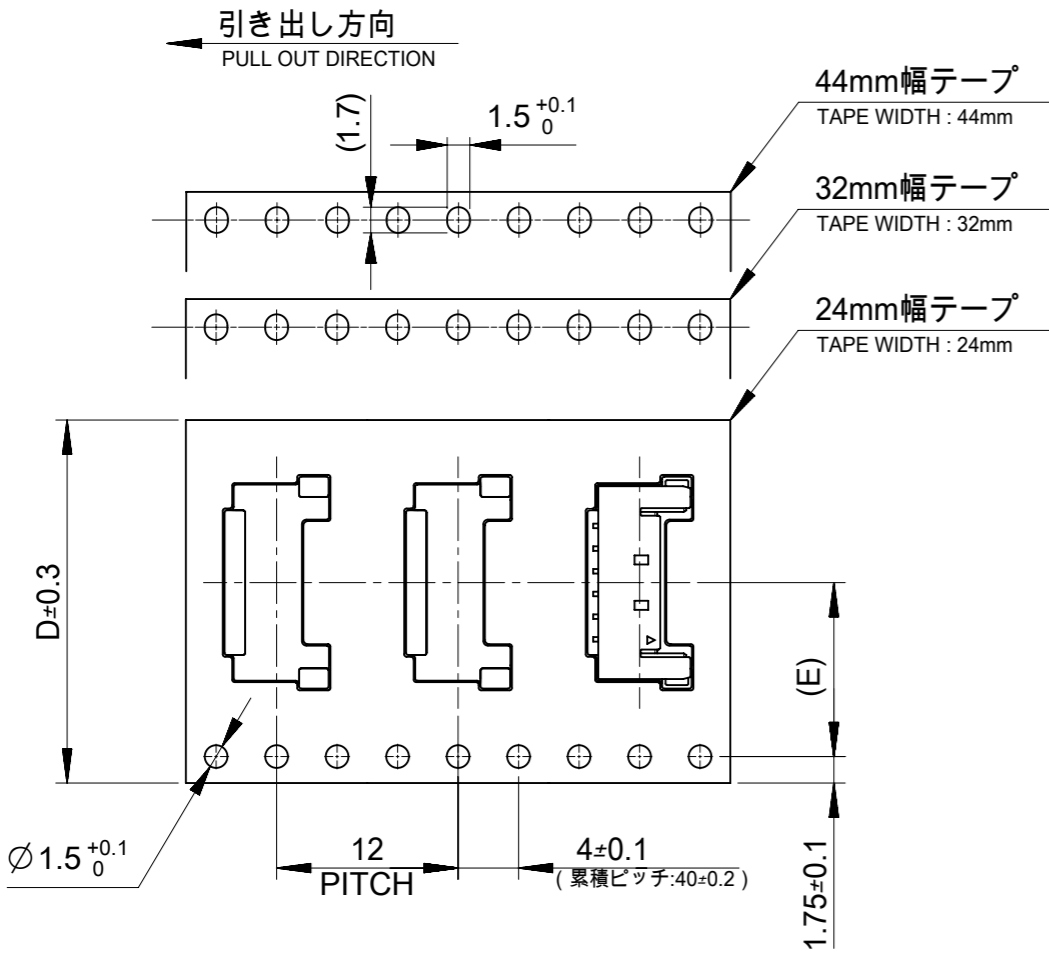


4 CIRCUITS



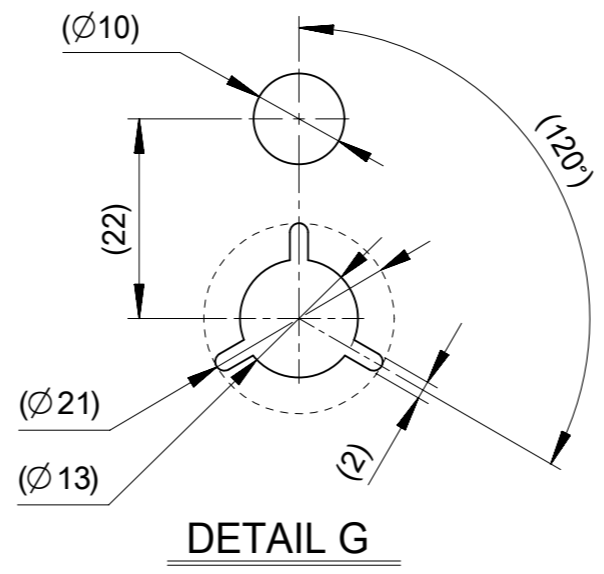
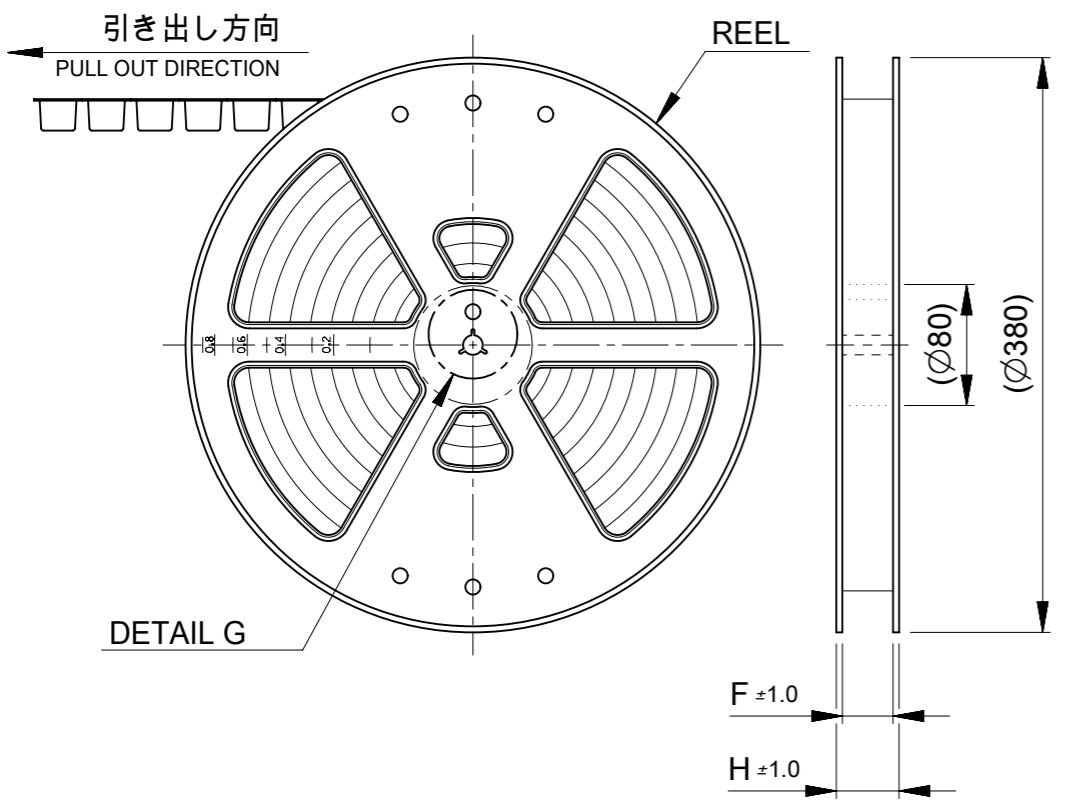
5-12 CIRCUITS

THIS DRAWING CONTAINS INFORMATION THAT IS PROPRIETARY TO MOLEX ELECTRONIC TECHNOLOGIES, LLC AND SHOULD NOT BE USED WITHOUT WRITTEN PERMISSION		CURRENT REV DESC:		molex	
DIMENSION UNITS	SCALE				
mm	NTS			PRODUCT CUSTOMER DRAWING	
GENERAL TOLERANCES (UNLESS SPECIFIED)		EC NO: 640538		DOCUMENT NUMBER	
ANGULAR TOL ± 3.0 °		DRWN: QHE31 2020/07/01		5040500000-SD	
4 PLACES ± 0.2		CHK'D: SAKIYAMA 2020/07/06		DOC TYPE DOC PART REVISION	
3 PLACES ± 0.2		APPR: KOMURAKAMI 2020/07/07		PSD 000 B	
2 PLACES ± 0.2		INITIAL REVISION:		MATERIAL NUMBER	
1 PLACE ± 0.2		DRWN: QHE31 2018/03/14		CUSTOMER	
0 PLACES ± 0.2		APPR: KOMURAKAMI 2019/02/18		SEE CHART OF SHEET 1	
DRAFT WHERE APPLICABLE MUST REMAIN WITHIN DIMENSIONS		THIRD ANGLE PROJECTION	DRAWING	SERIES	SHEET NUMBER
			A3-SIZE	504050	2 OF 3



NOTE

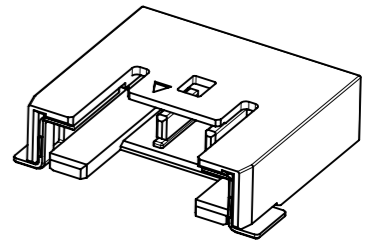
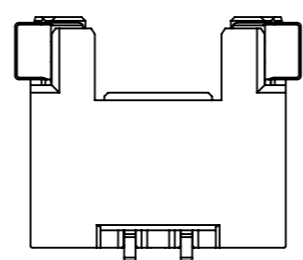
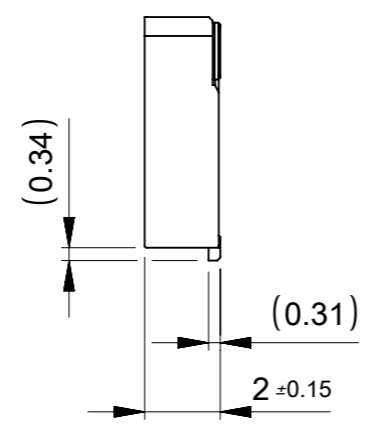
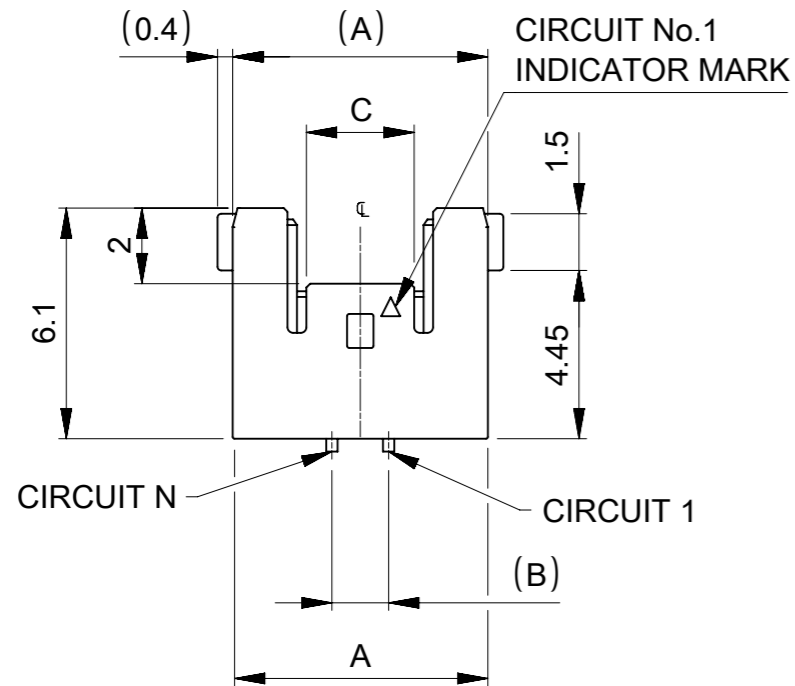
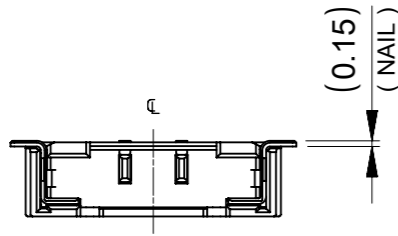
- 梱包数量 : 2700個 / リール
NUMBER OF CONNECTORS : 2700 PIECES/REEL
 - リードテープ長さ
LEAD TAPE LENGTH
-
- 材料
MATERIALS
キャリアテープ:ポリスチレン(PS)
CARRIER TAPE : POLYSTYRENE(PS)
トップテープ:ポリエチレン(PE)、ポリエチレンテレフタレート(PET)
TOP TAPE : POLYETHYLENE(PE) ,
POLYETHYLENE TEREPHTHALATE(PET)
リール:ポリスチレン(PS) (リサイクル材を含む)
REEL : POLYSTYRENE(PS) (RECYCLE MATERIAL CONTAINED)
 - ELV及びRoHS適合品
ELV AND RoHS COMPLIANT.
 - トップテープの剥離強度については、IEC 6 0 2 8 6 - 3に準拠。
TOP TAPE PEEL FORCE IS DEFINED BY IEC60286-3.
 - 梱包仕様書 : SPK-504050-001.
PACKING INFORMATION SPK-504050-001.



49.4	45.4	20.2	44	5040501291	12
37.4	33.4	14.2	32	5040501091	10
				5040500891	8
				5040500791	7
29.4	25.4	11.5	24	5040500691	6
				5040500591	5
				5040500491	4
H	F	E	D	発注番号 ORDER NO.	極数 CIRCUIT SIZE

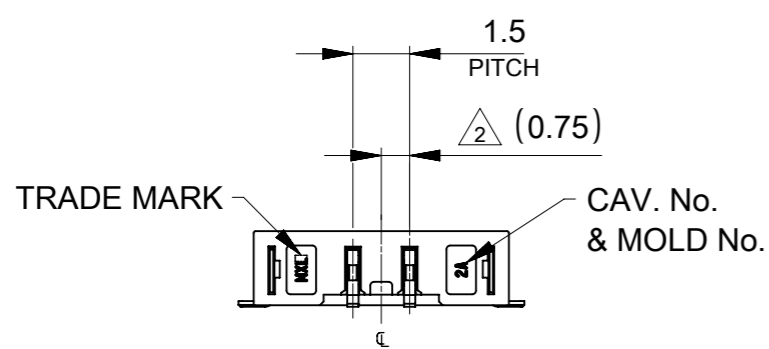
梱包状態 : エンボス梱包
PACKAGING : EMBOSSED TAPE AND REEL

THIS DRAWING CONTAINS INFORMATION THAT IS PROPRIETARY TO MOLEX ELECTRONIC TECHNOLOGIES, LLC AND SHOULD NOT BE USED WITHOUT WRITTEN PERMISSION		CURRENT REV DESC:		molex	
DIMENSION UNITS	SCALE				
mm	NTS			PICO-LOCK1.5 HDRASSY SGLRW R/A ETP H=2 FOR CIRCUIT SIZE 4-8, 10,12	
GENERAL TOLERANCES (UNLESS SPECIFIED)		EC NO: 640538		PRODUCT CUSTOMER DRAWING	
ANGULAR TOL	± 3.0 °	DRWN: QHE31	2020/07/01	DOCUMENT NUMBER	
4 PLACES	± 0.2	CHK'D: SAKIYAMA	2020/07/06	DOC TYPE	
3 PLACES	± 0.2	APPR: KOMURAKAMI	2020/07/07	DOC PART	
2 PLACES	± 0.2	INITIAL REVISION:		REVISION	
1 PLACE	± 0.2	DRWN: QHE31	2018/03/14	5040500000-SD	
0 PLACES	± 0.2	APPR: KOMURAKAMI	2019/02/18	PSD	000
DRAFT WHERE APPLICABLE MUST REMAIN WITHIN DIMENSIONS		THIRD ANGLE PROJECTION	DRAWING	SERIES	MATERIAL NUMBER
			A3-SIZE	504050	CUSTOMER
					SEE CHART OF SHEET 1
					SHEET NUMBER
					3 OF 3



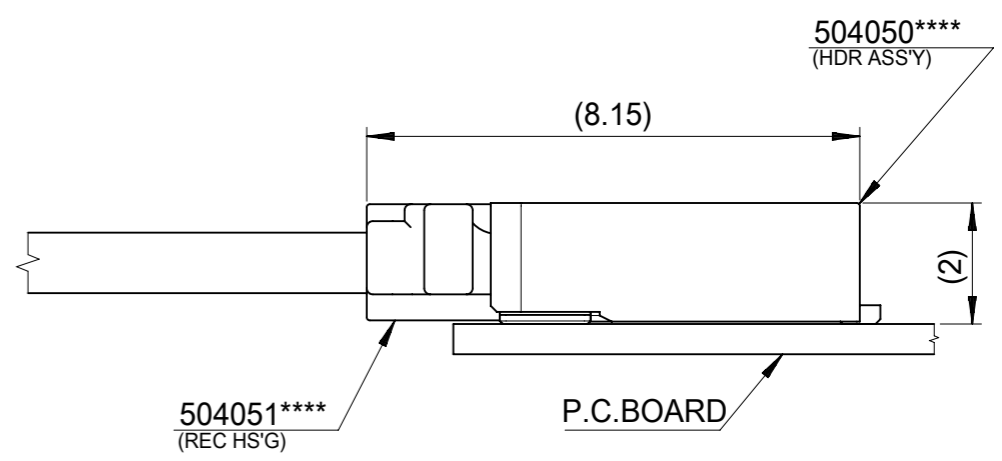
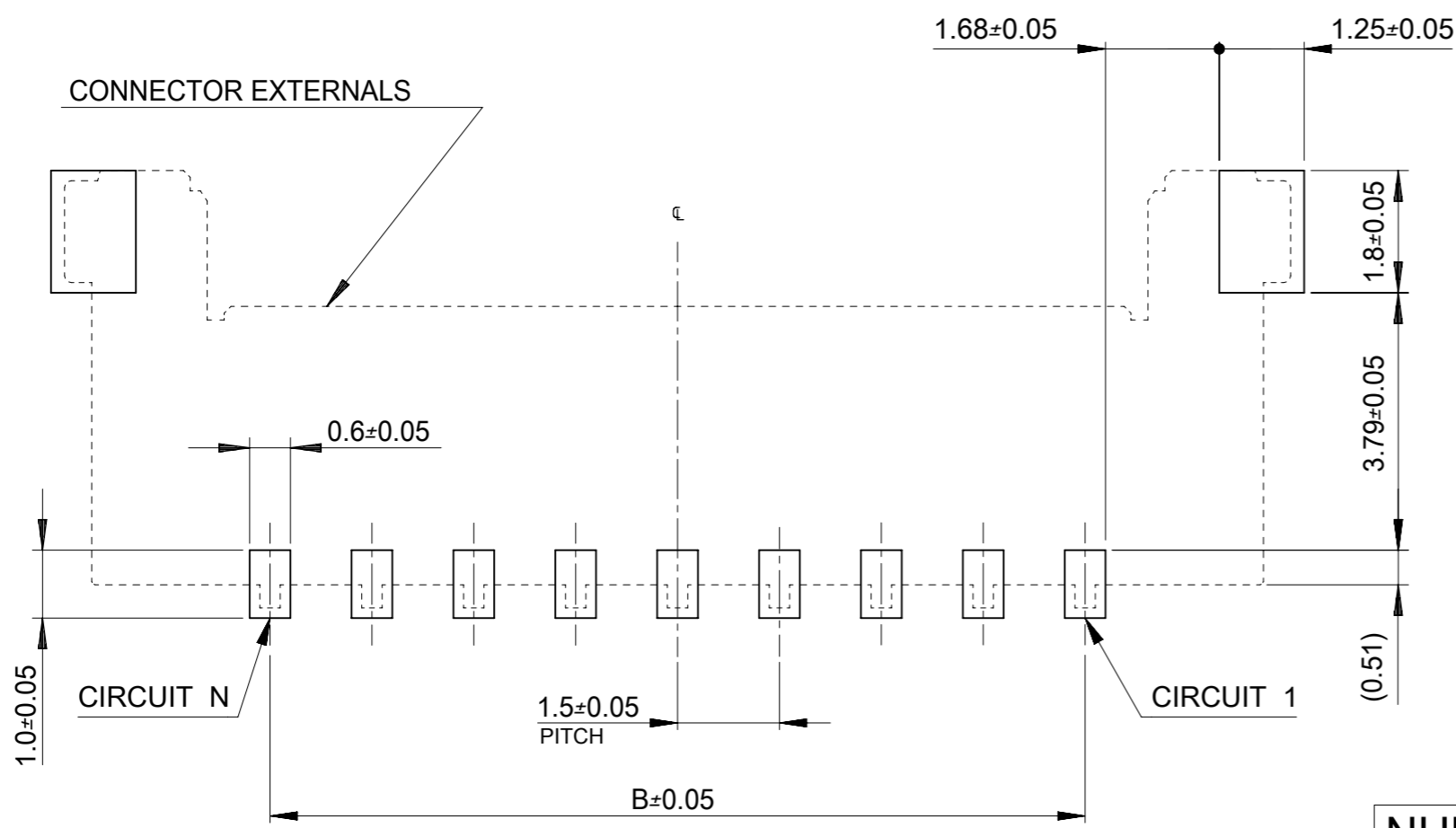
NOTE.

1. 嵌合相手 : 5 0 4 0 5 1 * * * *
MATE WITH : 504051****
- △ 2. 偶数極の製品に適用
APPLY EVEN CIRCUIT PRODUCTS.
3. 材質
MATERIAL
ハウジング : ポリアミド(PA)
UL 9 4 - V 0 BLACK
HOUSING : POLYAMIDE(PA)
UL94-V0 BLACK
ターミナル、ネール : 銅合金
TERMINAL、NAIL: COPPER ALLOY
4. めっき
PLATING
ターミナル : ニッケル下地めっき 1.0micro-meter MIN.、
コンタクト : 金めっき0.1micro-meter MIN. 半田付け部 : 金めっき
TERMINAL : UNDER NICKEL PLATING 1.0micro-meter MIN. CONTACT :
GOLD PLATING0.1micro-meter MIN. TAIL : GOLD PLATING
ネール : ニッケル下地めっき 1.0micro-meter MIN. 錫めっき 1.0micro-meter MIN.
NAIL:UNDER NICKEL PLATING 1.0micro-meter MIN.
TIN PLATING 1.0micro-meter MIN.
5. ソルダーテイルとネイルの平坦度 : 0.08mm MAX.
SOLDER TAIL AND FITTING NAIL COPLANARITY : 0.08mm MAX.
6. ELV及びRoHS適合品
ELV AND RoHS COMPLIANT.
7. 製品仕様及び取扱いについては、製品仕様書PS-504051-001
及びコネクタ取扱説明書AS-504051-001を参照願います。
PLEASE REFER TO PRODUCT SPECIFICATION PS-504051-001
AND APPLICATION SPECIFICATION AS-504051-001.
8. 梱包仕様書 : SPK-504050-001.
PACKING INFORMATION SPK-504050-001.



16.35	15	20.25	11
13.35	12	17.25	9
4.35	3	8.25	3
2.85	1.5	6.75	2
C	B	A	極数 CIRCUIT SIZE

THIS DRAWING CONTAINS INFORMATION THAT IS PROPRIETARY TO MOLEX ELECTRONIC TECHNOLOGIES, LLC AND SHOULD NOT BE USED WITHOUT WRITTEN PERMISSION									
DIMENSION UNITS		SCALE		CURRENT REV DESC:				molex	
mm		NTS							
GENERAL TOLERANCES (UNLESS SPECIFIED)				EC NO: 640538				PICO-LOCK1.5 HDRASSY SGLRW R/A ETP H=2 FOR CIRCUIT SIZE 2,3,9,11	
ANGULAR TOL ± 3.0 °				DRWN: QHE31 2020/07/01				PRODUCT CUSTOMER DRAWING	
4 PLACES ± 0.2				CHK'D: SAKIYAMA 2020/07/06					
3 PLACES ± 0.2				APPR: KOMURAKAMI 2020/07/07					
2 PLACES ± 0.2				INITIAL REVISION:				DOCUMENT NUMBER	
1 PLACE ± 0.2				DRWN: QHE31 2019/01/22				5040500000-SD	
0 PLACES ± 0.2				APPR: KOMURAKAMI 2019/02/18				DOC TYPE DOC PART REVISION	
DRAFT WHERE APPLICABLE MUST REMAIN WITHIN DIMENSIONS				THIRD ANGLE PROJECTION		DRAWING		SERIES	
				A3-SIZE		504050		MATERIAL NUMBER CUSTOMER SHEET NUMBER	
						SEE CHART OF SHEET 1		1 OF 3	

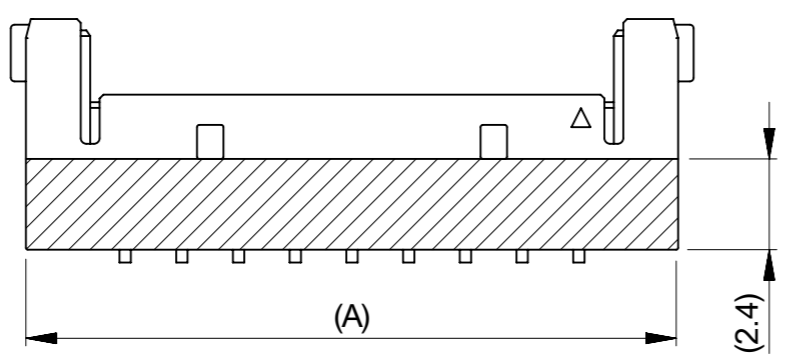


MATED CONNECTORS

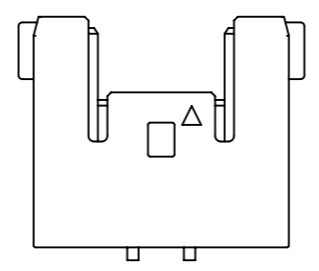
RECOMMENDED PATTERN LAYOUT (REF.)

推奨メタルマスク厚さ:0.1mm、開口率:100%。
RECOMMEND STENCIL MASK THICKNESS: 0.1mm, APERTURE RATIO: 100%.

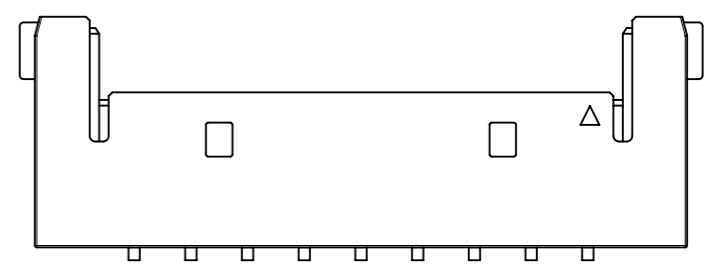
吸着エリア
PICK-UP AREA



NUMBER of LOCK

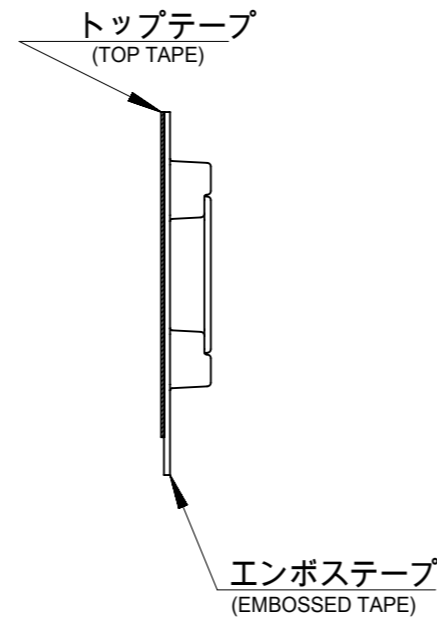
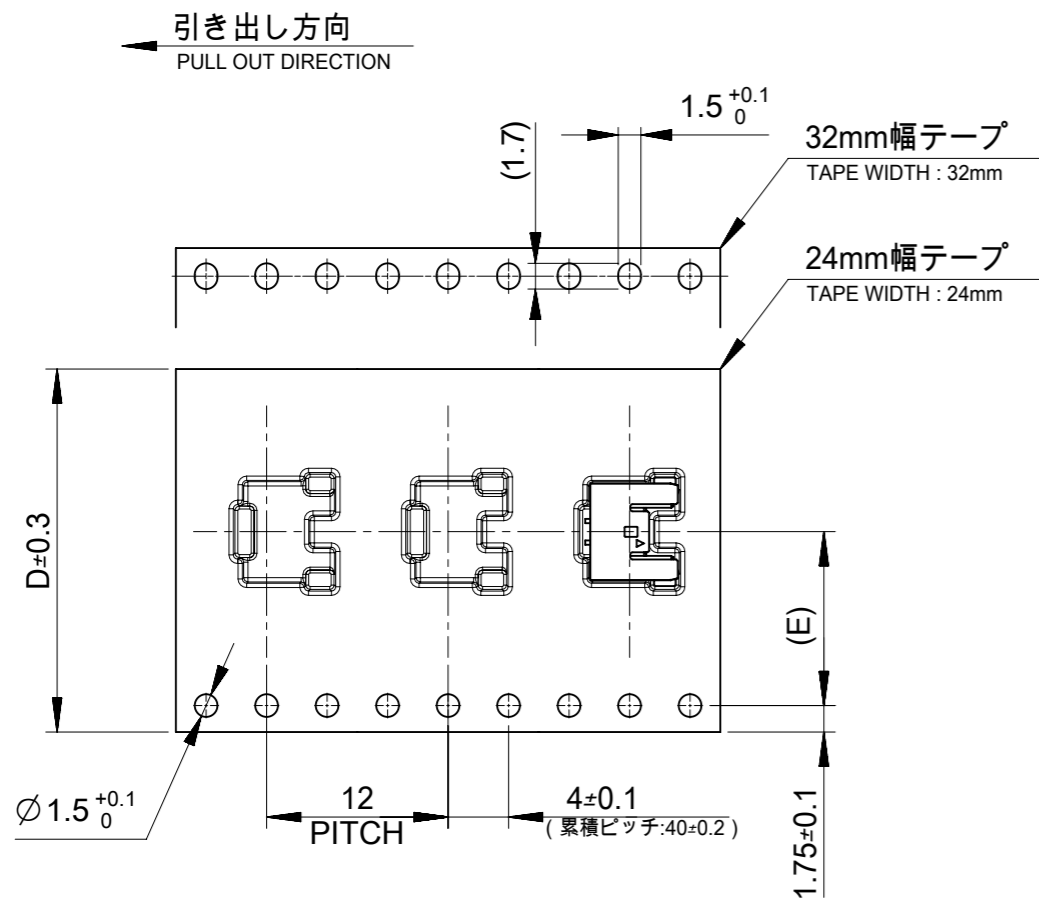


2,3 CIRCUITS



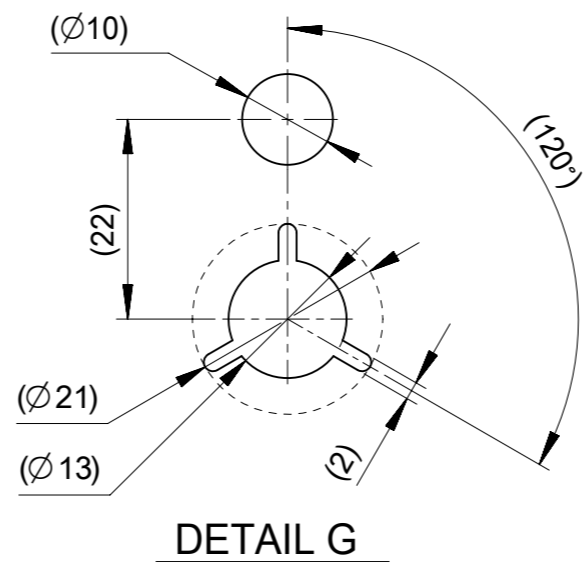
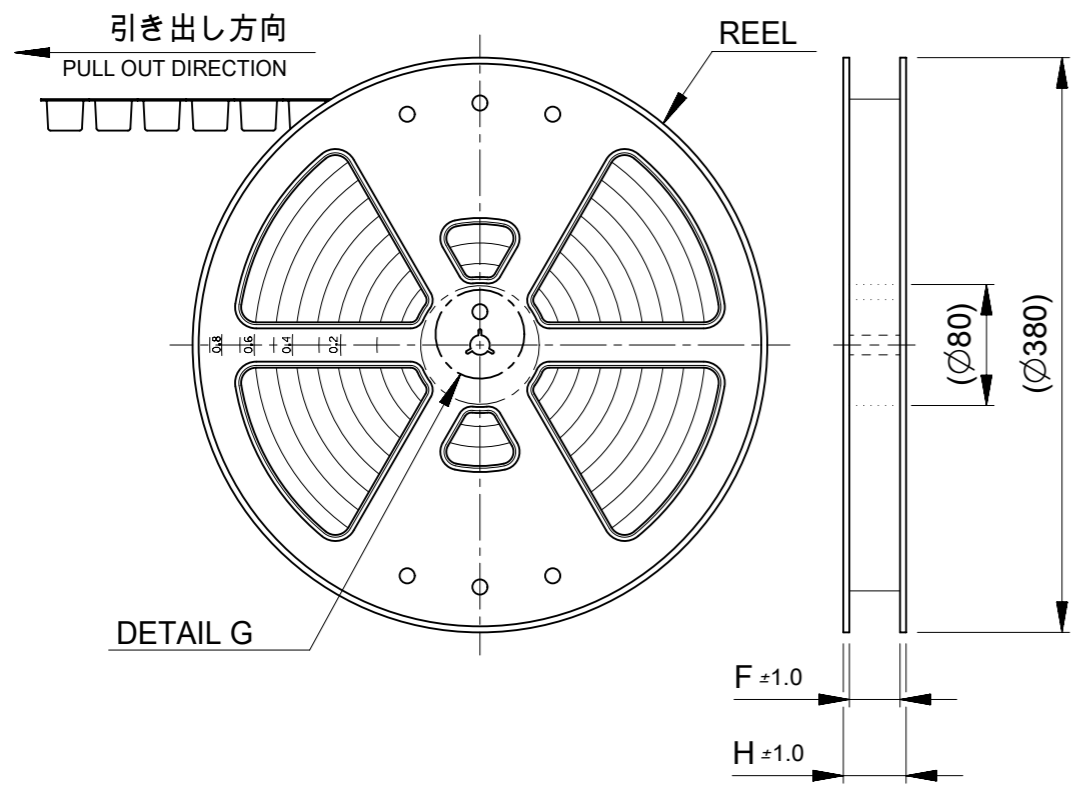
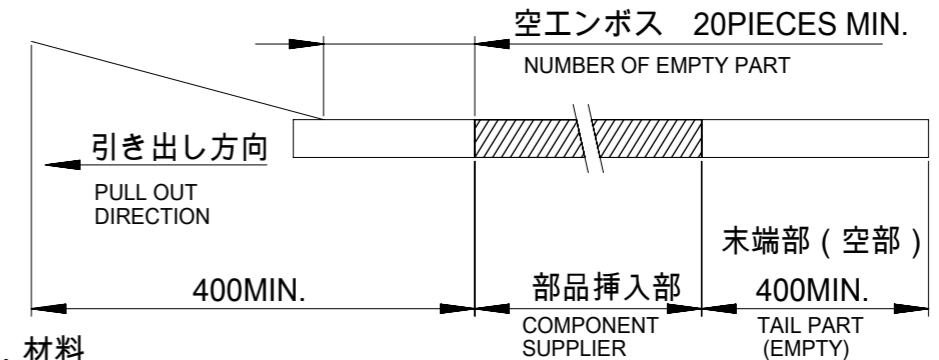
9,11 CIRCUITS

THIS DRAWING CONTAINS INFORMATION THAT IS PROPRIETARY TO MOLEX ELECTRONIC TECHNOLOGIES, LLC AND SHOULD NOT BE USED WITHOUT WRITTEN PERMISSION									
DIMENSION UNITS		SCALE		CURRENT REV DESC:				molex	
mm		NTS							
GENERAL TOLERANCES (UNLESS SPECIFIED)									
ANGULAR TOL		± 3.0 °		EC NO: 640538		2020/07/01		PICO-LOCK1.5 HDRASSY SGLRW R/A ETP H=2 FOR CIRCUIT SIZE 2,3,9,11	
4 PLACES		± 0.2		DRWN: QHE31		2020/07/06		PRODUCT CUSTOMER DRAWING	
3 PLACES		± 0.2		CHK'D: SAKIYAMA		2020/07/07		DOCUMENT NUMBER	
2 PLACES		± 0.2		APPR: KOMURAKAMI		2020/07/07		5040500000-SD	
1 PLACE		± 0.2		INITIAL REVISION:		2019/01/22		DOC TYPE	
0 PLACES		± 0.2		DRWN: QHE31		2019/02/18		PSD	
DRAFT WHERE APPLICABLE MUST REMAIN WITHIN DIMENSIONS		THIRD ANGLE PROJECTION		DRAWING		SERIES		CUSTOMER	
		A3-SIZE		504050		MATERIAL NUMBER		SHEET NUMBER	
						SEE CHART OF SHEET 1		2 OF 3	



NOTE

- 梱包数量 : 2700個 / リール
NUMBER OF CONNECTORS : 2700 PIECES/REEL
- リードテープ長さ
LEAD TAPE LENGTH
- 材料
MATERIALS
キャリアテープ:ポリスチレン(PS)
CARRIER TAPE : POLYSTYRENE(PS)
トップテープ:ポリエチレン(PE)、ポリエチレンテレフタレート(PET)
TOP TAPE : POLYETHYLENE(PE) ,
POLYETHYLENE TEREPHTHALATE(PET)
リール:ポリスチレン(PS) (リサイクル材を含む)
REEL : POLYSTYRENE(PS) (RECYCLE MATERIAL CONTAINED)
- ELV及びRoHS適合品
ELV AND RoHS COMPLIANT.
- トップテープの剥離強度については、IEC 6 0 2 8 6 - 3に準拠。
TOP TAPE PEEL FORCE IS DEFINED BY IEC60286-3.
- 梱包仕様書 : SPK-504050-001.
PACKING INFORMATION SPK-504050-001.



37.4	33.4	14.2	32	5040501191	11
				5040500991	9
29.4	25.4	11.5	24	5040500391	3
				5040500291	2
H	F	E	D	発注番号 ORDER NO.	極数 CIRCUIT SIZE

梱包状態 : エンボス梱包
PACKAGING : EMBOSSED TAPE AND REEL

THIS DRAWING CONTAINS INFORMATION THAT IS PROPRIETARY TO MOLEX ELECTRONIC TECHNOLOGIES, LLC AND SHOULD NOT BE USED WITHOUT WRITTEN PERMISSION		CURRENT REV DESC:		molex	
DIMENSION UNITS	SCALE				
mm	NTS			PRODUCT CUSTOMER DRAWING	
GENERAL TOLERANCES (UNLESS SPECIFIED)		EC NO: 640538		DOCUMENT NUMBER	
ANGULAR TOL ± 3.0°		DRWN: QHE31 2020/07/01		5040500000-SD	
4 PLACES ± 0.2		CHK'D: SAKIYAMA 2020/07/06		DOC TYPE DOC PART REVISION	
3 PLACES ± 0.2		APPR: KOMURAKAMI 2020/07/07		PSD 001 B	
2 PLACES ± 0.2		INITIAL REVISION:		MATERIAL NUMBER	
1 PLACE ± 0.2		DRWN: QHE31 2019/01/22		CUSTOMER	
0 PLACES ± 0.2		APPR: KOMURAKAMI 2019/02/18		SEE CHART OF SHEET 1	
DRAFT WHERE APPLICABLE MUST REMAIN WITHIN DIMENSIONS		THIRD ANGLE PROJECTION	DRAWING	SERIES	SHEET NUMBER
			A3-SIZE	504050	3 OF 3