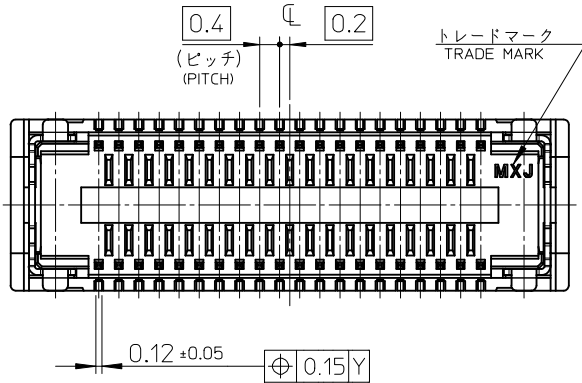
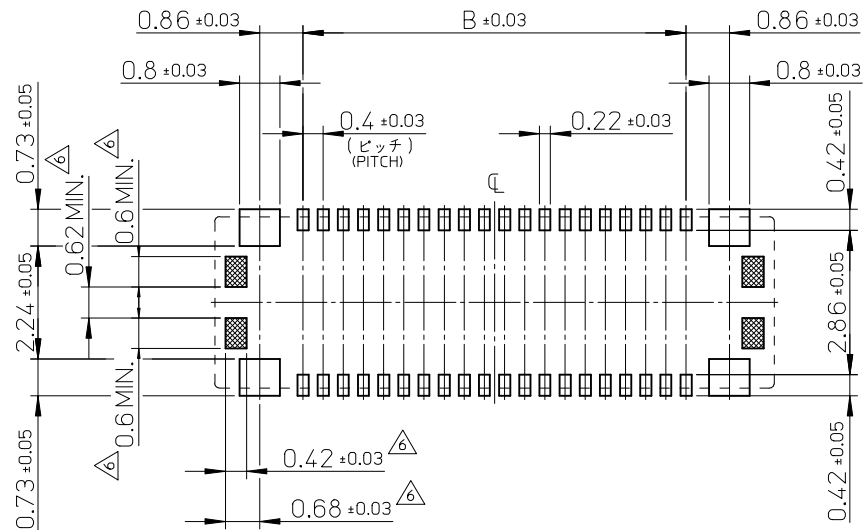


SECTION X-X



9.32	7.6	11.1	501527-0410	501527-0419	40
8.12	6.4	9.9	501527-3410	501527-3419	34
D	B	A	EMBOSSSED TAPE PKG.	MATERIAL No.	CKT.
			ORDER No. オーダー番号	MODEL No. : 501527-**19	

REVISED EC NO: J2015-1111 DRWN: TARA 01 2015/02/26 CHKD: TANAKA 03 2015/02/26 APPR: KMORI KAWA 2015/02/26	DESCRIPTION	GENERAL TOLERANCES (UNLESS SPECIFIED)		DIMENSION STYLE		SCALE	DESIGN UNITS	THIRD ANGLE PROJECTION	
				MM ONLY		10:1	METRIC	☉	
		0.25 UNDER	± 0.03	DRAWN BY	DATE	TITLE			
		0.25 OVER 0.5 UNDER	± 0.05	RTAKEUCH	2006/01/20	0.4 B-TO-B CONN. HGT=1.3 REC ASSY -LEAD FREE- <b>molex</b>			
0.5 OVER 1.0 UNDER	± 0.1	CHECKED BY	DATE						
1.0 OVER 10 UNDER	± 0.2	THIRATA	2006/01/20						
10 OVER 30 UNDER	± 0.25	APPROVED BY	DATE						
30 OVER	± 0.3	MSASAO	2006/01/20	MATERIAL NO.		DOCUMENT NO.		SHEET NO.	
ANGULAR ±3 °		DRAFT WHERE APPLICABLE MUST REMAIN WITHIN DIMENSIONS		SEE CHART		SD-501527-003		1 OF 2	
SIZE A3		THIS DRAWING CONTAINS INFORMATION THAT IS PROPRIETARY TO MOLEX INCORPORATED AND SHOULD NOT BE USED WITHOUT WRITTEN PERMISSION							



参考基板レイアウト (マウント面)  
P.C. BOARD PATTERN DIMENSION (REFERENCE)  
(MOUNTING AREA)

注記 NOTES

1. 使用材料 MATERIAL

ハウジング：液晶ポリマー ( LCP ) ガラス充填 UL94V-0 ( 黒 )  
HOUSING: LIQUID CRYSTAL POLYMER (GLASS FILLED) UL94V-0 (COLOR: BLACK)

ターミナル：りん青銅 (t=0.12)  
TERMINAL : PHOSPHOR BRONZE (t=0.12)

金具：コルソン銅 (t=0.12)  
FITTING NAIL : CORSON TYPE COPPER ALLOY (t=0.12)

2. メッキ仕様 PLATING

ターミナル TERMINAL

金メッキ 0.2 マイクロメートル以上 (コンタクト部)  
GOLD 0.2 MICROMETER MINIMUM (CONTACT AREA)

金メッキ 0.4 マイクロメートル以下 (テール部)  
GOLD 0.4 MICROMETER MAXIMUM (TAIL AREA)

下地メッキ：ニッケルメッキ 1.5 マイクロメートル以上  
UNDER PLATING : NICKEL 1.5 MICROMETER MINIMUM

※コンタクト部とテール部はニッケルメッキによって分断されている金メッキです。  
DIVIDE INTO PARTS THE GOLD PLATING OF THE CONTACT AND THE TAIL PART BY THE NICKEL PLATING.

金具 FITTING NAIL

半田付け処理 (金・パラジウムコート)  
SOLDERABILITY IMPROVEMENT COAT (Au & Pd COAT)

下地メッキ：ニッケルメッキ 1.0 マイクロメートル以上  
UNDER PLATING : NICKEL 1.0 MICROMETER MINIMUM

△3 (全極数 / 2) = 偶数の場合に適用。  
APPLY FOR (CIRCUIT/2)=EVEN.

4. 嵌合相手： 501531 シリーズ  
MATE WITH : 501531 SERIES.

5. テール平坦度は、0.08 以下

テール及び金具の平坦度は、0.1 以下  
TAIL COPLANARITY TO BE 0.08 MAXIMUM.  
TAIL AND FITTING NAIL COPLANARITY TO BE 0.1 MAXIMUM.

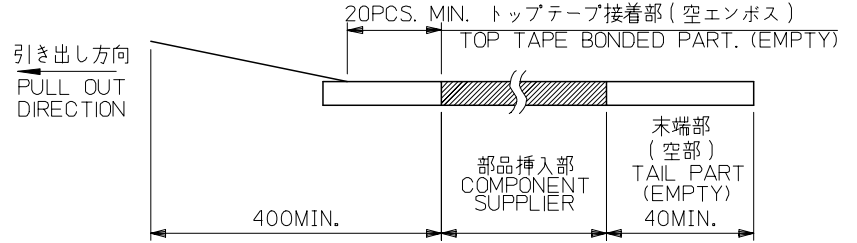
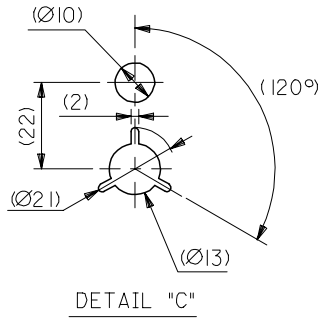
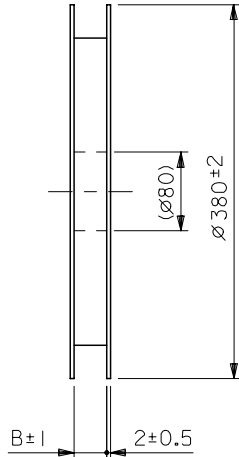
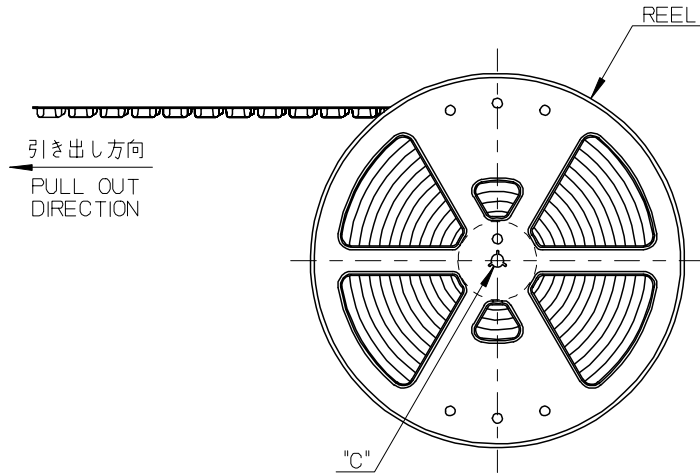
△6 斜線部はパターン書き込み禁止範囲と半田禁止範囲を示す。  
ただし、斜線部に補強金具と同一配線を配置する場合はレジストを施し、この部分に半田は無きこと。  
NO PATTERN CIRCUIT AND NO SOLDER ALLOWED IN THE SHADED AREA.  
HOWEVER, IF NEEDED TO ADD A TRACE OF THE SAME CIRCUIT, PUT THE SOLDER-RESIST.  
YET NO SOLDER ALLOWED IN THE AREA.

7. ELV and RoHS COMPLIANT.

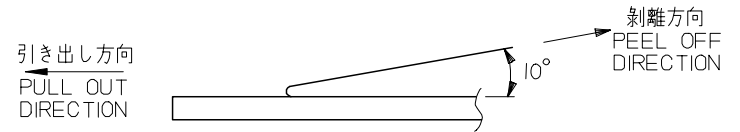
REVISED EC NO: J2015-1111 DRWN: TARA 01 2015/02/26 CHKD: K TANAKA 03 2015/02/26 APPR: KMORI KAWA 2015/02/26	GENERAL TOLERANCES (UNLESS SPECIFIED)		DIMENSION STYLE MM ONLY		SCALE 10:1	DESIGN UNITS METRIC	THIRD ANGLE PROJECTION	
	0.25 UNDER	± 0.03	DRAWN BY	DATE	TITLE			
	0.25 OVER 0.5 UNDER	± 0.05	RTAKEUCH	2006/01/20	0.4 B-TO-B CONN. HGT=1.3			
	0.5 OVER 1.0 UNDER	± 0.1	CHECKED BY	DATE	REC ASSY			
	1.0 OVER 10 UNDER	± 0.2	THIRATA	2006/01/20	-LEAD FREE-			
	10 OVER 30 UNDER	± 0.25	APPROVED BY	DATE				
30 OVER	± 0.3	MSASAO	2006/01/20					
ANGULAR ±3 °		MATERIAL NO.		DOCUMENT NO.		SHEET NO.		
DRAFT WHERE APPLICABLE MUST REMAIN WITHIN DIMENSIONS		SEE SHEET 1		SD-501527-003		2 OF 2		
		SIZE A3	THIS DRAWING CONTAINS INFORMATION THAT IS PROPRIETARY TO MOLEX INCORPORATED AND SHOULD NOT BE USED WITHOUT WRITTEN PERMISSION					

注記 NOTES

- 製品詳細寸法については製品単体図面を参照下さい。  
RE DETAILED DIMENSION, SEE PRODUCT DRAWING.
- 梱包数量：6000 個/リール  
NUMBER OF CONNECTORS : 6000PCS/REEL
- リードテープ長さ LEAD TAPE LENGTH



- トップテープの剥離強度：0.1N~1.3N(10gf~130gf)  
(剥離方向は下図参照)  
尚、本規格値は出荷時に適用。(但し、輸送時に剥離が発生しないこと。)  
PEELING OFF FORCE OF TOP TAPE : 0.1N~1.3N(10gf~130gf)  
(PEELING DIRECTION AS SHOWN IN FOLLOWING FIG.)  
THIS REQUIREMENT SHOULD BE APPLIED AT SHIPMENT.  
PEEL OFF SHOULD NOT BE ALLOWED , DURING TRANSPORTION.



- 材料 MATERIAL  
キャリアテープ (CARRIER TAPE) : ポリスチレン (POLYSTYRENE)  
トップテープ (TOP TAPE) : PET , PE , PEF  
リール (REEL) : ポリスチレン (PS) <リサイクル材を含む>  
POLYSTYRENE (PS) <RECYCLE MATERIAL CONTAINED>

MODEL NO. 501527-\*\*10

REVISED EC NO: J2007-0841 DRW:HYAJIMA 2006/10/03 CHKD:KASAHARA 2006/10/04 APPR:NUKITA 2006/10/05	GENERAL TOLERANCES (UNLESS SPECIFIED)		DIMENSION STYLE MM ONLY		SCALE ---	DESIGN UNITS METRIC	THIRD ANGLE PROJECTION
	10 UNDER	±---	DRAWN BY RTAKEUCHI	DATE 2006/01/20	TITLE 0.4 B-TO-B CONN. HGT=1.3 REC ASSY EMBSTP PKG -LEAD FREE-		
	10 OVER 30 UNDER	±---	CHECKED BY THIRATA	DATE 2006/01/20	MOLEX INCORPORATED		
	30 OVER	±---	APPROVED BY MSASAO	DATE 2006/01/20	DOCUMENT NO. SD-501527-004		
A	DESCRIPTION ANGULAR ±---°	DRAFT WHERE APPLICABLE MUST REMAIN WITHIN DIMENSIONS		MATERIAL NO. SEE CHART	SHEET NO. 1 OF 2		

10 9 8 7 6 5 4 3 2 1

F

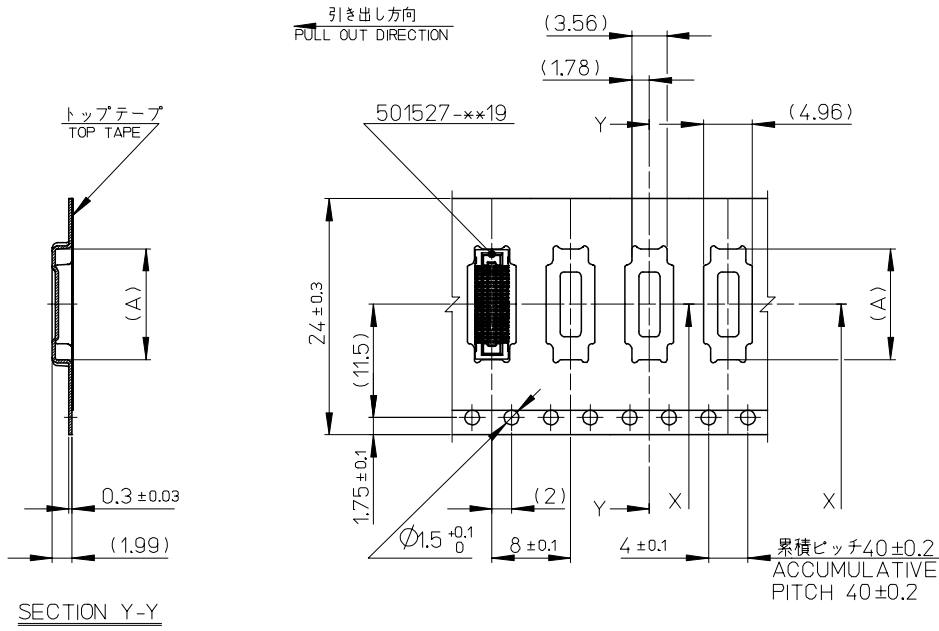
E

D

C

B

A



24mm 幅キャリアテープ  
24mm WIDTH CARRIER TAPE

24	25.5	11.26	501527-0410	40
		10.06	501527-3410	34
キャリアテープ幅 CARRIER TAPE WIDTH	B	(A)	MATERIAL No.	CKT.
			MODEL No.	501527-**10

REVISED EC NO: J2007-0841 DR: W. H. YAJIMA 2006/10/03 CH: K. K. KASAHARA 2006/10/04 APPR: NUKITA 2006/10/05	GENERAL TOLERANCES (UNLESS SPECIFIED)		DIMENSION STYLE MM ONLY	SCALE ---	DESIGN UNITS METRIC	THIRD ANGLE PROJECTION
	10 UNDER	± ---	DRAWN BY RTAKEUCHI	DATE 2006/01/20	TITLE 0.4 B-TO-B CONN. HGT=1.3 REC ASSY EMBSTP PKG -LEAD FREE-	
	10 OVER 30 UNDER	± ---	CHECKED BY THIRATA	DATE 2006/01/20	MOLEX INCORPORATED	
	30 OVER	± ---	APPROVED BY MSASAO	DATE 2006/01/20	DOCUMENT NO. SD-501527-004	SHEET NO. 2 OF 2
A	DESCRIPTION	ANGULAR ± --- °	MATERIAL NO.	SEE CHART		
		DRAFT WHERE APPLICABLE MUST REMAIN WITHIN DIMENSIONS				

9

8

7

6

5

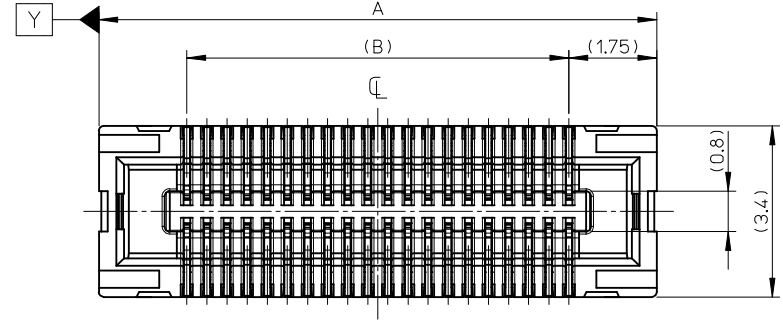
4

3

2

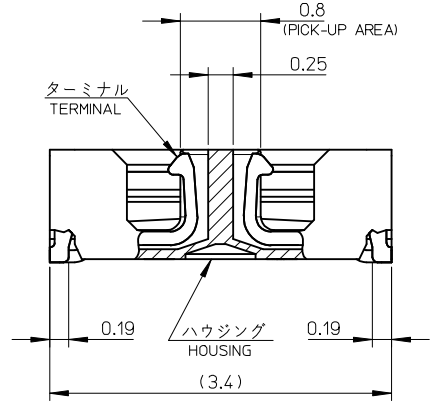
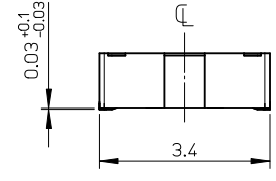
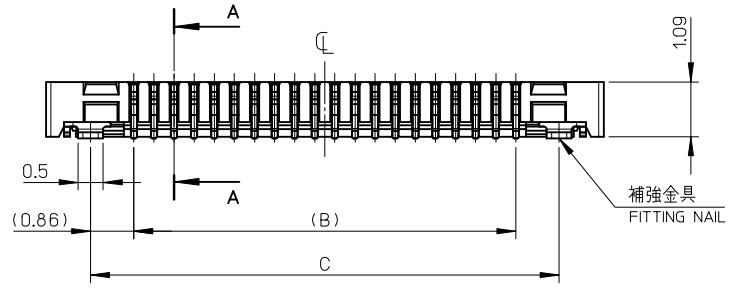
10 9 8 7 6 5 4 3 2 1

F



E

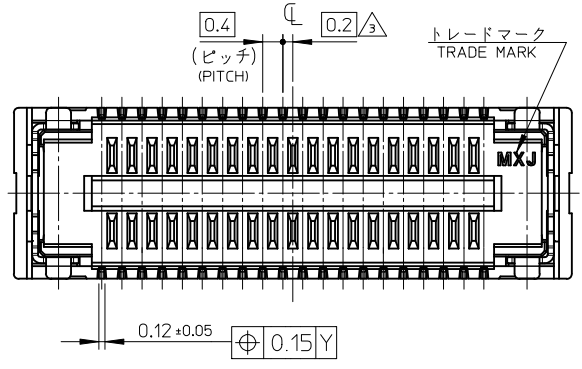
D



SECTION A-A  
SCALE 20:1

C

B



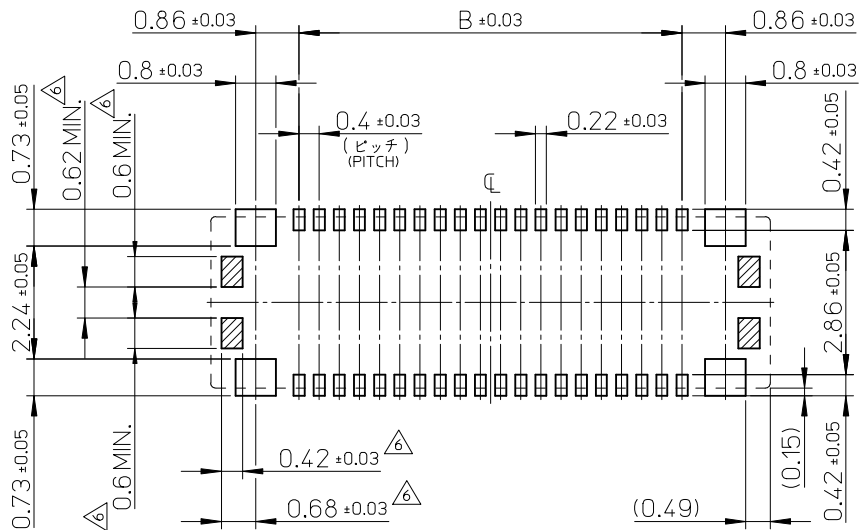
A

19.32	17.6	21.1	505225-0900	90
C	B	A	EMBOSSED PACKAGE	極数
			オーダー番号 ORDER NO.	CIRCUITS
CONNECTOR SERIES No. 505225-**09				

RELEASED EC NO: J2015-0069 DRWN: JFURUKAWA 2014/07/14 CHKD: TASAKAWA 2014/07/14 APPR: KMORIKAWA 2014/12/08	DESCRIPTION GENERAL TOLERANCES (UNLESS SPECIFIED)	DIMENSION STYLE MM ONLY		SCALE 10:1	DESIGN UNITS METRIC	THIRD ANGLE PROJECTION		
		10 UNDER ± 0.2	10 OVER 30 UNDER ± 0.25	DRAWN BY JFURUKAWA	DATE 2014/07/14	TITLE 0.4 B-TO-B CONN. HGT=1.3 REC ASSY -LEAD FREE-		
		30 OVER ± 0.3	ANGULAR ± 3 °	CHECKED BY TASAKAWA	DATE 2014/07/14	APPROVED BY KMORIKAWA		DATE 2014/12/08
		DRAFT WHERE APPLICABLE MUST REMAIN WITHIN DIMENSIONS		MATERIAL NO. SEE CHART		DOCUMENT NO. SD-505225-001	SHEET NO. 1 OF 2	

SIZE A3 THIS DRAWING CONTAINS INFORMATION THAT IS PROPRIETARY TO MOLEX INCORPORATED AND SHOULD NOT BE USED WITHOUT WRITTEN PERMISSION

9 8 7 6 5 4 3 2



参考基板レイアウト (マウント面)  
P.C.BOARD PATTERN DIMENSION (REFERENCE)  
(MOUNTING AREA)

メタルマスク厚: 0.1  
METAL MASK THICKNESS: 0.1

開口率: 100%  
APERTURE RATIO: 100%

注記 NOTES

1. 使用材料 MATERIAL

ハウジング: 液晶ポリマー (LCP) ガラス充填 UL94V-0 (黒)  
HOUSING: LIQUID CRYSTAL POLYMER (GLASS FILLED) UL94V-0 (COLOR: BLACK)

ターミナル: りん青銅 (t=0.12)  
TERMINAL: PHOSPHOR BRONZE (t=0.12)

金具: 銅合金 (t=0.12)  
FITTING NAIL: COPPER ALLOY (t=0.12)

2. メッキ仕様 PLATING

ターミナル TERMINAL

コンタクト部: 金メッキ 0.1 マイクロメートル以上  
CONTACT AREA: GOLD 0.1 MICROMETER MINIMUM

テール部: 金メッキ  
TAIL AREA: GOLD

下地メッキ: ニッケルメッキ 1.5 マイクロメートル以上  
UNDER PLATING: NICKEL 1.5 MICROMETER MINIMUM

※コンタクト部とテール部はニッケルメッキによって分断されている金メッキです。  
DIVIDE INTO PARTS THE GOLD PLATING OF THE CONTACT AND THE TAIL PART BY THE NICKEL PLATING.

金具 FITTING NAIL

半田付け処理 (金・パラジウムコート)  
SOLDERABILITY IMPROVEMENT COAT (Au & Pd COAT)

下地メッキ: ニッケルメッキ 1.0 マイクロメートル以上  
UNDER PLATING: NICKEL 1.0 MICROMETER MINIMUM

③ (全極数 / 2) = 偶数の場合に適用。  
APPLY FOR (CIRCUIT/2)=EVEN.

4. 嵌合相手: 505226 シリーズ  
MATE WITH: 505226 SERIES.

5. テール平坦度は、0.08 以下

テール及び金具の平坦度は、0.1 以下  
TAIL COPLANARITY TO BE 0.08 MAXIMUM.  
TAIL AND FITTING NAIL COPLANARITY TO BE 0.1 MAXIMUM.

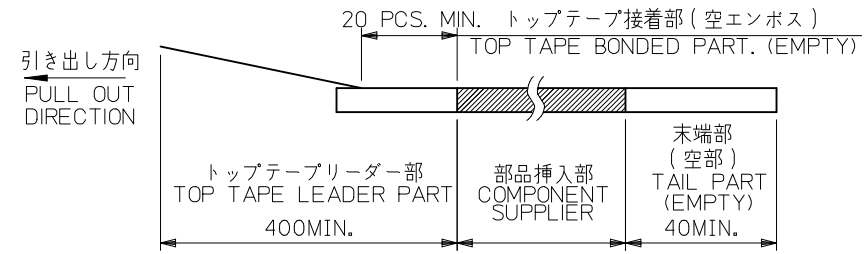
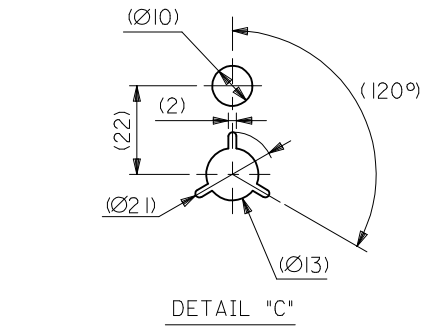
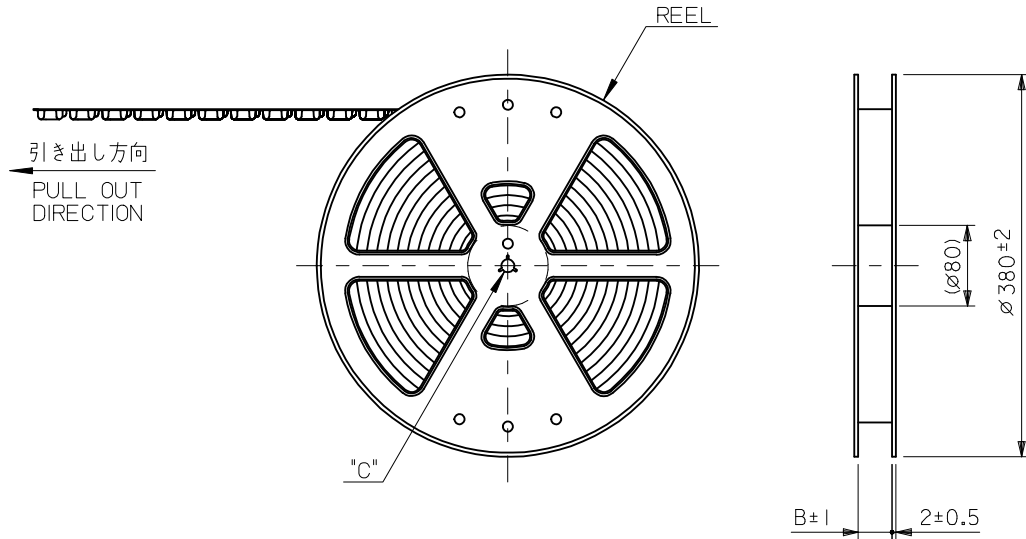
⑥ 斜線部はパターン書き込み禁止範囲と半田禁止範囲を示す。  
ただし、斜線部に補強金具と同一配線を配置する場合はレジストを施し、この部分に半田は無きこと。  
NO PATTERN CIRCUIT AND NO SOLDER ALLOWED IN THE SHADED AREA.  
HOWEVER, IF NEEDED TO ADD A TRACE OF THE SAME CIRCUIT, PUT THE SOLDER-RESIST.  
YET NO SOLDER ALLOWED IN THE AREA.

7. ELV & RoHS 適合品。  
ELV and RoHS COMPLIANT.

RELEASED EC NO: J2015-0069 DRWN: JFURUKAWA 2014/07/14 CHKD: TASAKAWA 2014/07/14 APPR: KMORIKAWA 2014/12/08 REV: 0	GENERAL TOLERANCES (UNLESS SPECIFIED)		DIMENSION STYLE MM ONLY	SCALE 10:1	DESIGN UNITS METRIC	THIRD ANGLE PROJECTION
	10 UNDER	± 0.2	DRAWN BY JFURUKAWA	DATE 2014/07/14	TITLE 0.4 B-TO-B CONN. HGT=1.3 REC ASSY -LEAD FREE-	
	10 OVER 30 UNDER	± 0.25	CHECKED BY TASAKAWA	DATE 2014/07/14		
	30 OVER	± 0.3	APPROVED BY KMORIKAWA	DATE 2014/12/08		
ANGULAR ± 3 °		MATERIAL NO. SEE SHEET 1		DOCUMENT NO. SD-505225-001		SHEET NO. 2 OF 2
DRAFT WHERE APPLICABLE MUST REMAIN WITHIN DIMENSIONS		THIS DRAWING CONTAINS INFORMATION THAT IS PROPRIETARY TO MOLEX INCORPORATED AND SHOULD NOT BE USED WITHOUT WRITTEN PERMISSION				

注記 NOTES

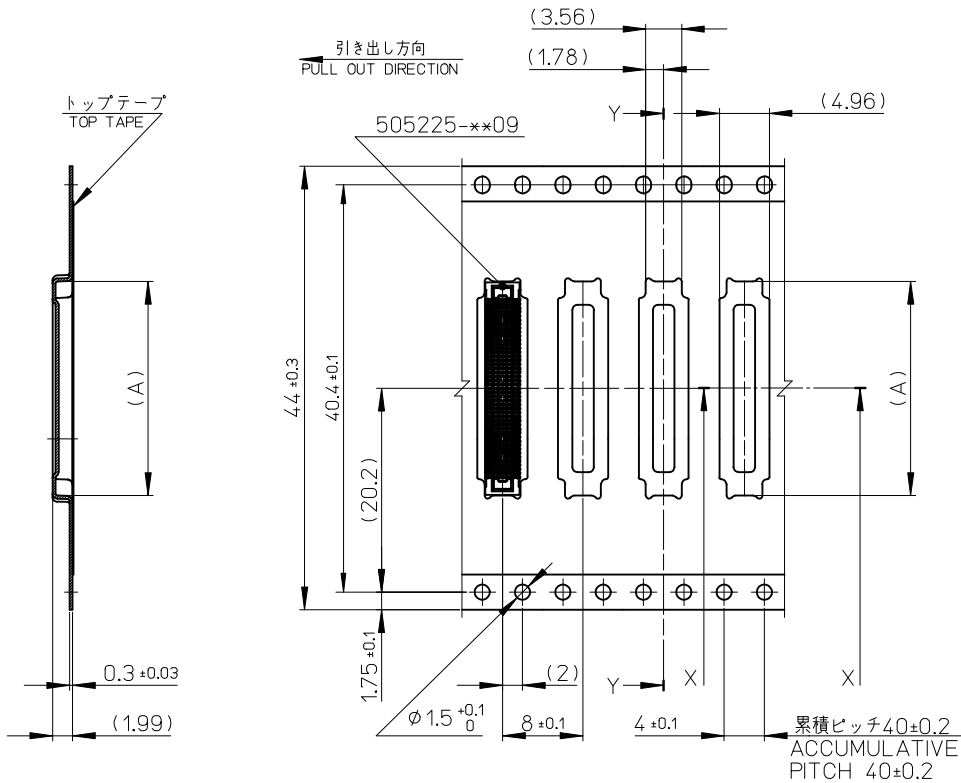
- 製品詳細寸法については SD-505225-001を参照下さい。  
RE DETAILED DIMENSION, SEE SALES DRAWING FOR CONNECTOR.
- 梱包数量 : 6000 個/リール  
NUMBER OF CONNECTORS : 6000 PCS/REEL
- リードテープ長さ LEAD TAPE LENGTH



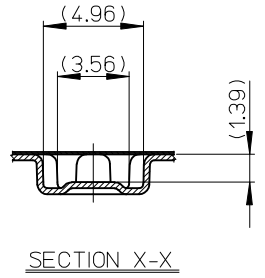
- トップテープの剥離強度は IEC60286-3 に準拠。  
COVER TAPE PEEL FORCE IS DEFINED BY IEC60286-3.
- 材料 MATERIAL  
キャリアテープ : ポリスチレン (PS)  
CARRIER TAPE : POLYSTYRENE (PS)  
トップテープ : PET , PE , PEF  
TOP TAPE : PET , PE , PEF  
リール : PS <リサイクル材を含む>  
REEL : PS <RECYCLE MATERIAL CONTAINED>
- ELV & RoHS 適合品  
ELV AND RoHS COMPLIANT.

MODEL NO. 505225-\*\*\*00

RELEASED	EC NO: J2015-0069	2014/07/15	GENERAL TOLERANCES (UNLESS SPECIFIED)		DIMENSION STYLE <b>MM ONLY</b>		SCALE ---	DESIGN UNITS <b>METRIC</b>	THIRD ANGLE PROJECTION	
	DRWN: JFURUKAWA	2014/07/15	10 UNDER	±---	DRAWN BY JFURUKAWA	DATE 2014/07/15	TITLE <b>0.4 B-T0-B CONN. HGT=1.3 REC ASSY EMBSTP PKG -LEAD FREE-</b>			
	CHKD: TASAKAWA	2014/07/15	10 OVER 30 UNDER	±---	CHECKED BY TASAKAWA	DATE 2014/07/15	<b>molex</b>			
	APPR: KMORIKAWA	2014/12/08	30 OVER	±---	APPROVED BY KMORIKAWA	DATE 2014/12/08				
	REV	DESCRIPTION	ANGULAR	±--- °	MATERIAL NO.		DOCUMENT NO.		SHEET NO.	
0		DRAFT WHERE APPLICABLE MUST REMAIN WITHIN DIMENSIONS		SEE CHART		SD-505225-002		1 OF 2		



SECTION Y-Y



SECTION X-X

44mm 幅キャリアテープ  
44mm WIDTH CARRIER TAPE

44	45.5	21.26	505225-0900	90
キャリアテープ幅 CARRIER TAPE WIDTH	B	(A)	MATERIAL No.	CKT.
			MODEL No.	505225-**00

RELEASED EC NO: J2015-0069 DRWN: JFURUKAWA 2014/07/15 CHKD: TASAKAWA 2014/07/15 APPR: KMORIKAWA 2014/12/08	GENERAL TOLERANCES (UNLESS SPECIFIED)
	10 UNDER ± ---
	10 OVER 30 UNDER ± ---
	30 OVER ± ---
	ANGULAR ± --- °
DRAFT WHERE APPLICABLE MUST REMAIN WITHIN DIMENSIONS	

DIMENSION STYLE MM ONLY	
DRAWN BY	DATE
JFURUKAWA	2014/07/15
CHECKED BY	DATE
TASAKAWA	2014/07/15
APPROVED BY	DATE
KMORIKAWA	2014/12/08
MATERIAL NO.	
SIZE	A3

SCALE ---	DESIGN UNITS METRIC	THIRD ANGLE PROJECTION
TITLE 0.4 B-TO-B CONN. HGT=1.3 REC ASSY EMBSTP PKG -LEAD FREE-		
SEE CHART		DOCUMENT NO. SD-505225-002
THIS DRAWING CONTAINS INFORMATION THAT IS PROPRIETARY TO MOLEX INCORPORATED AND SHOULD NOT BE USED WITHOUT WRITTEN PERMISSION		
SHEET NO. 2 OF 2		