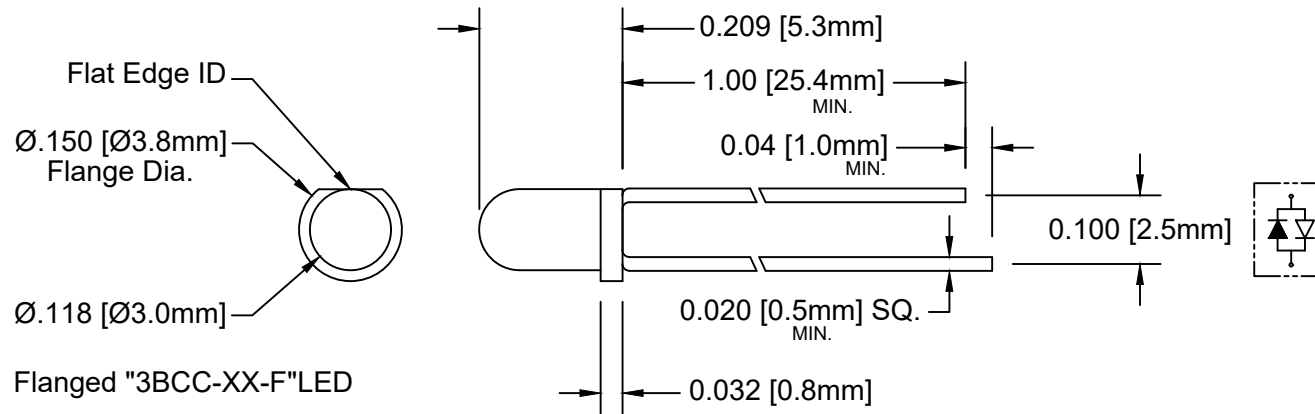


REV.	DESCRIPTION	DATE	APPROVED
A	Engineering Release	01/15/09	T. Y.
B	Added R/Y & A/G LED Specs	05/06/10	T. Y.
C	Added LED Specs	02/10/15	J. C.
D	Updated per EOL	09/04/19	A. V.




Flat Edge ID  
 Ø.150 [Ø3.8mm]  
 Flange Dia.  
 Ø.118 [Ø3.0mm]  
 Flanged "3BCC-XX-F"LED

Recommended Mounting  
 Hole Size =  $\varnothing.032^{+.003}_{-.002}$

SHORT LEAD CATHODE	PART NO.	LONG LEAD CATHODE
RED	3BCC-X	GREEN


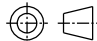
## ABSOLUTE MAXIMUM RATINGS (Ta=25°C)

REVERSE VOLTAGE _____	5V
REVERSE CURRENT _____	100uA
OPERATING TEMPERATURE RANGE _____	-25°C - 85°C
STORAGE TEMPERATURE _____	-30°C - 100°C
LEAD SOLDERING TEMPERATURE(1/16" FROM BODY) _____	260°C FOR 5 SECONDS

STANDARD TOLERANCE ( UNLESS OTHERWISE SPECIFIED )		 <b>BIVAR</b> <sup>®</sup> 4 THOMAS, IRVINE, CA. 92618 TEL: (949) 951-8808 FAX: (949) 951-3974	
.X ± .1	ANGULAR X° ± 1°		
.XX ± .02		<b>TITLE:</b> T1 (3mm) BI-COLOR LED	
.XXX ± .010			
DESIGNED: <b>Raffy Paje</b>	DATE: <b>01/15/09</b>	PART NO: <b>3BCC-XX-X</b>	REVISION: <b>D</b>
CHECKED: <b>F. Jensen</b>	DATE: <b>01/15/09</b>	CAGE CODE : <b>32559</b>	SHEET # <b>1 OF 2</b>
CAD GENERATED DOCUMENT, DO NOT MEASURE DRAWING.			

	SEE SHEET #1		

LED Part No.	Chip			Lens Appearance	Absolute Max. Ratings				Electro-Optical Data @ 20mA			Viewing Angle 2 $\Theta_{1/2}$ (Deg)
	Material	Peak Wave Length $\lambda_p$ (nm)	Emitted Color		$\Delta\lambda$ (nm)	Pd (mW)	If (mA)	Peak If(mA)	Vf (V)		Iv (mcd)	
									Typ.	Max.	Typ.	
3BCC	GaAsP/GaP	625	RED	WATER CLEAR	35	80	30	150	2.0	2.8	10	40
	GaP/GaP	568	GREEN		30	80	30	150	2.1	2.8	10	40
3BCC-F	GaAsP/GaP	625	RED	WATER CLEAR	35	80	30	150	2.0	2.8	8	40
	GaP/GaP	568	GREEN		30	80	30	150	2.1	2.8	8	40

STANDARD TOLERANCE ( UNLESS OTHERWISE SPECIFIED )		 <b>BIVAR</b> <sup>®</sup> 4 THOMAS, IRVINE, CA. 92618 TEL: (949) 951-8808 FAX: (949) 951-3974	
DECIMALS	ANGULAR		
		<b>TITLE:</b> T1 (3mm) BI-COLOR LED	
		DESIGNED: <b>Raffy Paje</b>	DATE: <b>01/15/09</b>
CHECKED: <b>F. Jensen</b>	DATE: <b>01/15/09</b>	<b>CAGE CODE : 32559 SHEET # 2 OF 2</b>	
CAD GENERATED DOCUMENT, DO NOT MEASURE DRAWING.			