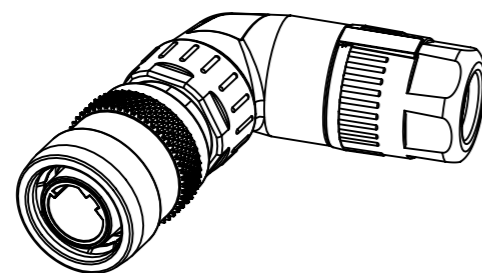
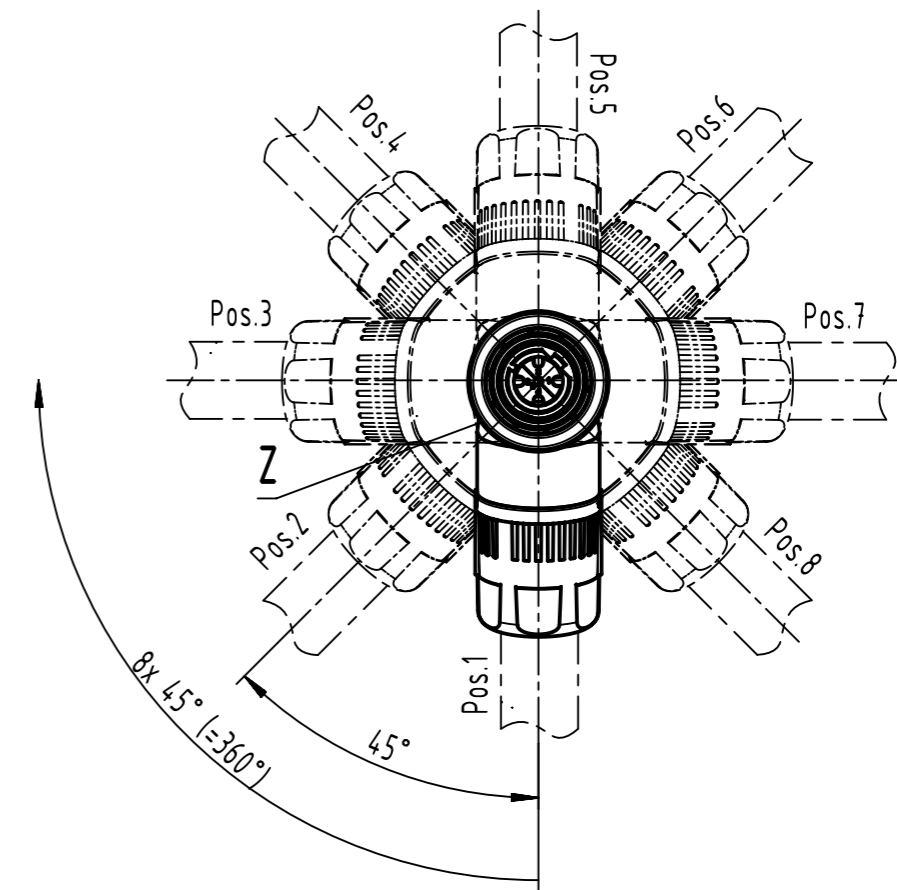
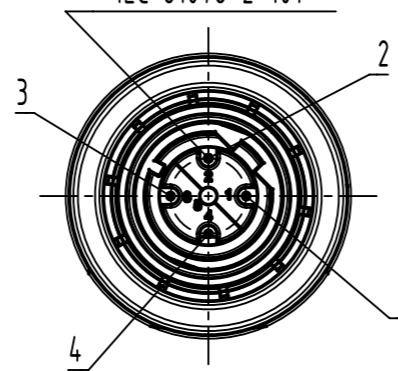

 assembly aid enclosed

Z (2:1)
contact face acc. to
IEC 61076-2-101



order contacts separately

cable Ø	wire gauge	contact part-no.
5,7-8,8mm	AWG 26-22	09 67 000 5576
	AWG 24-20	09 67 000 8576
	AWG 22-18	09 67 000 3576

	All rights reserved Department EL PD	Created by BALSAN	Inspected by PRIESTER	Standardisation 302077	Date 2021-04-15	State Final Release	Ref. Sub.
	HARTING D-32339 Espelkamp	Title M12 PushPull D-cod 4-pol angled male				Doc-Key / ECM-Nr. 100684470/UGD/003/G 500000193234	
		Type TB	Number 21038813430				Page 1/1