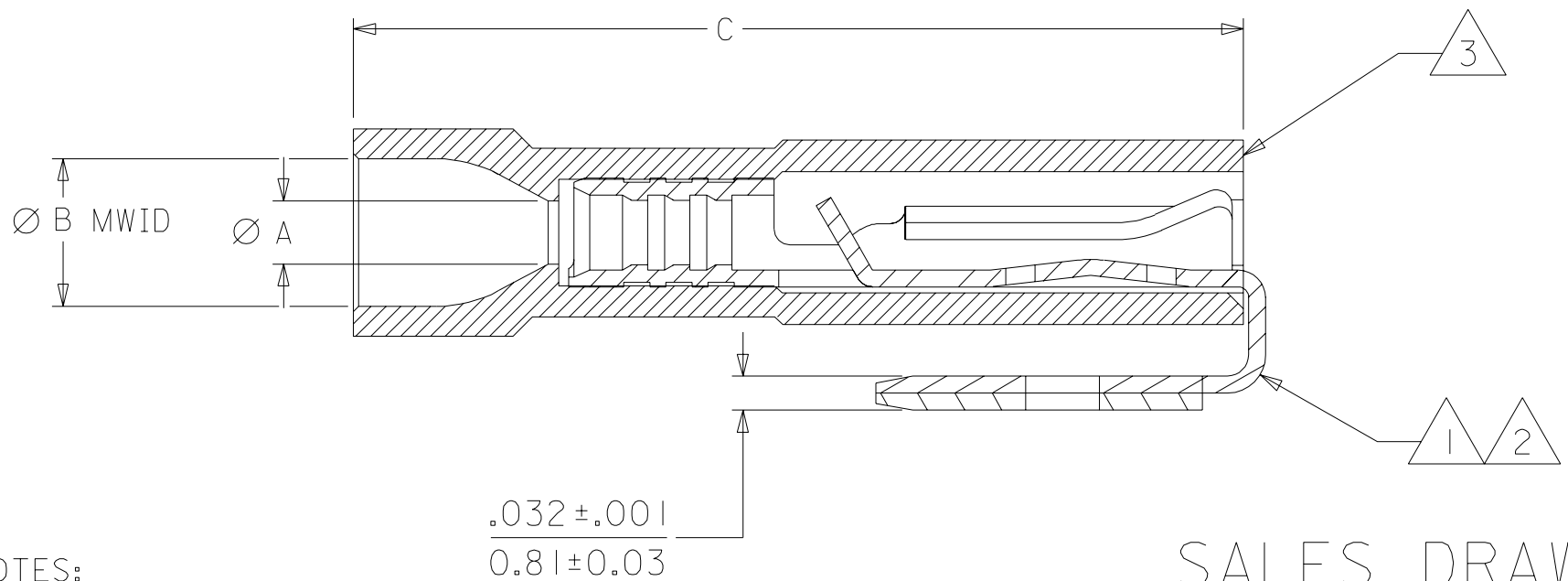
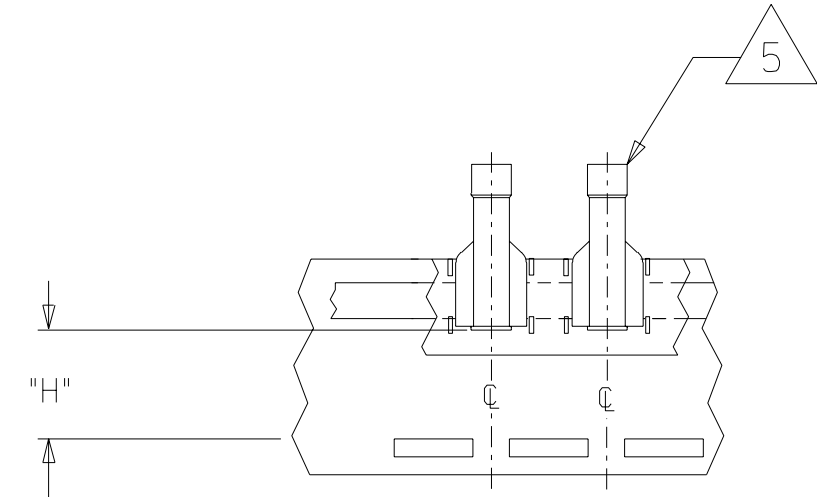
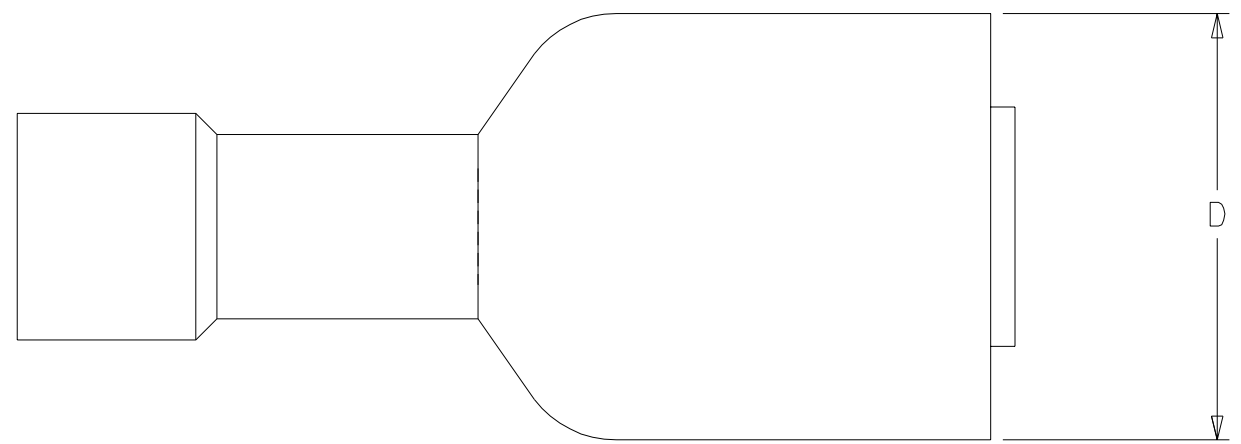


MATERIAL NUMBER	ENGINEERING NUMBER	MATERIAL NUMBER	ENGINEERING TAPE NUMBER	WIRE SIZE	INSULATION COLOR	A MAX	△ 4 B MWID	C	D	H
190130001	AA-2317	190130002	AA-2317T	22-18 AWG	RED	.062/(1.57)	.140/(3.56)	.85/(21.6)	.37/(9.4)	.540/13.7
190130005	BB-2318	190130006	BB-2318T	16-14 AWG	BLUE	.087/(2.21)	.165/(4.19)	.85/(21.6)	.37/(9.4)	.540/13.7
190130018	C-2319	190130016	C-2319T	12-10 AWG	YELLOW	.155/(3.94)	.280/(7.11)	1.02/(25.9)	.36/(9.1)	.565/14.5



NOTES:

- △ 1. TERMINAL MATERIAL: BRASS
- △ 2. TERMINAL FINISH: ELECTRO-TIN
- △ 3. INSULATION: NYLON
- △ 4. MWID = MAXIMUM WIRE INSULATION DIAMETER
- △ 5. MOUNTED WITH BARE TAB TO TAPE.

SALES DRAWING

WAS CD-2909 EC NO. ETC2003-0225 DRWN: BRE 03/04/03 CHK: HEB 03/04/03 APPR: RWD 03/04/03	QUALITY SYMBOLS	GENERAL TOLERANCES: (UNLESS SPECIFIED)		SCALE NO: NE	DESIGN UNITS	THIRD ANGLE PROJECTION	DIMENSIONS:	SHT	REV	
	MAJOR ▽ = 0	mm	INCH	mm	INCH	mm ONLY	<input type="checkbox"/> mm <input checked="" type="checkbox"/> INCH			
	CRITICAL ▽ = 0	4 PLACES ±0.	±.	3 PLACES ±0.	±.005	DRAWN BY & DATE		TITLE: INSULKRIMP FIQD		
		2 PLACES ±0.13	±.01	1 PLACE ±0.25	±.	CHECKED BY & DATE		PIGGYBACK		
	ANGULAR: ±1/2°		DRAFT WHERE APPLICABLE MUST REMAIN WITHIN DIMENSIONS		APPROVED BY & DATE		.250 X .032 TAB SIZE			
				CAD FILENAME		MATERIAL NO.		DRAWING NO.		
				SD-19013-001 .DGN		SEE CHART		SD-19013-001		
				THIS DRAWING CONTAINS INFORMATION THAT IS PROPRIETARY TO MOLEX INCORPORATED AND SHOULD NOT BE USED WITHOUT WRITTEN PERMISSION.						SIZE B