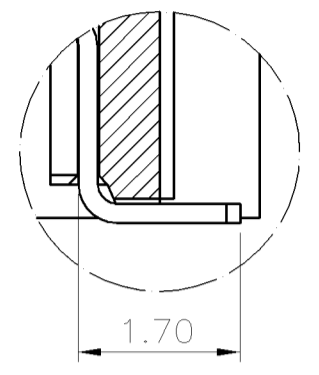
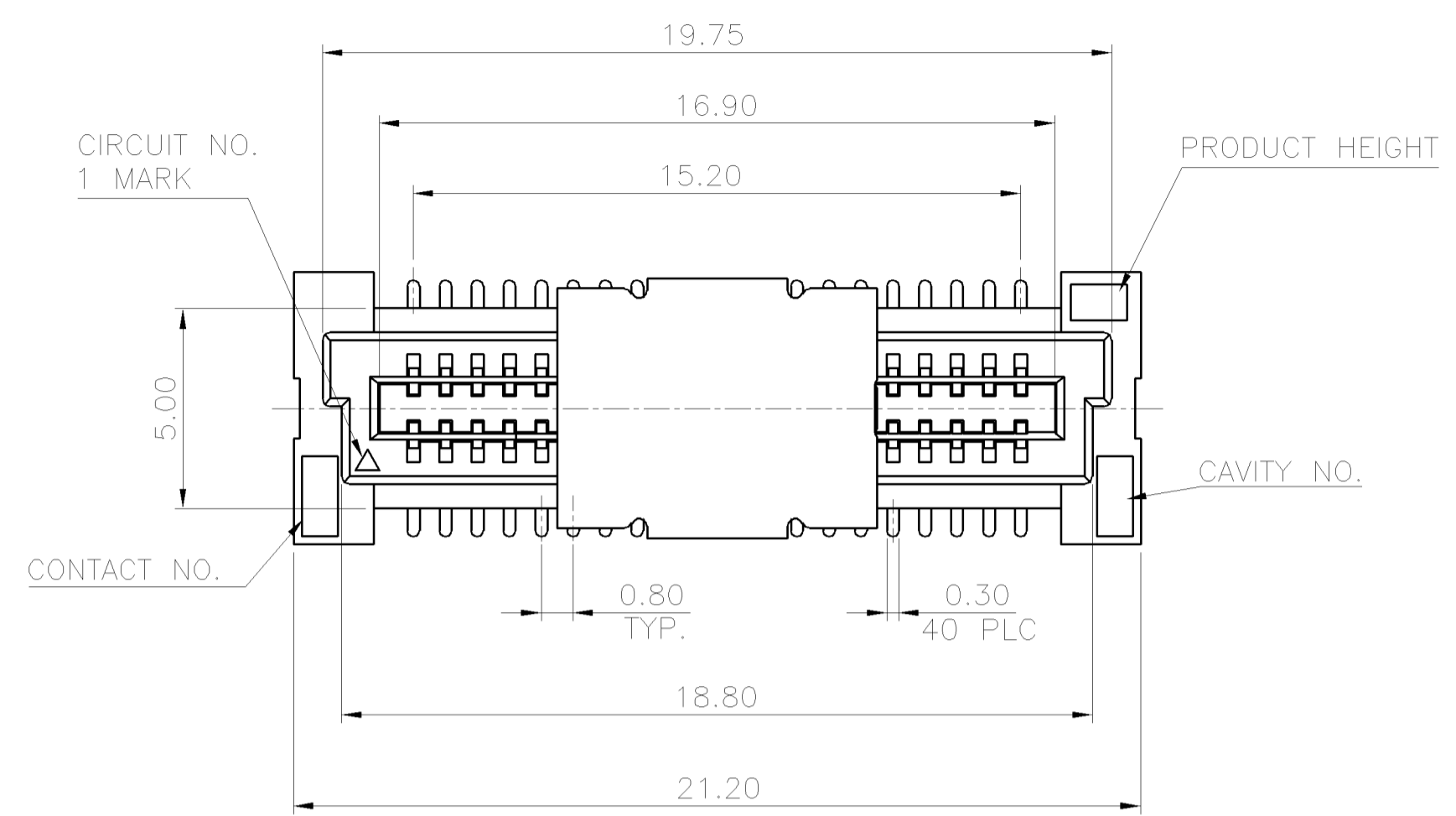


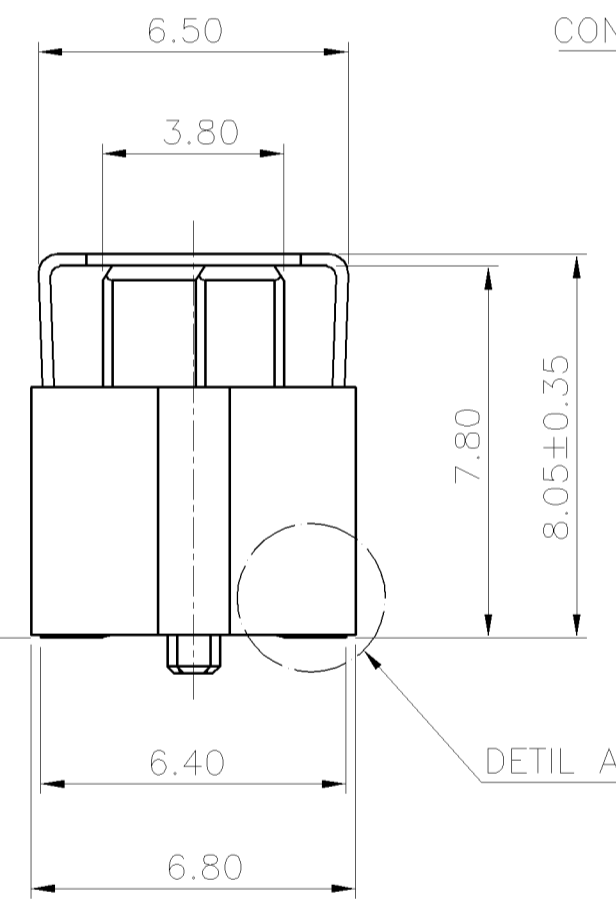
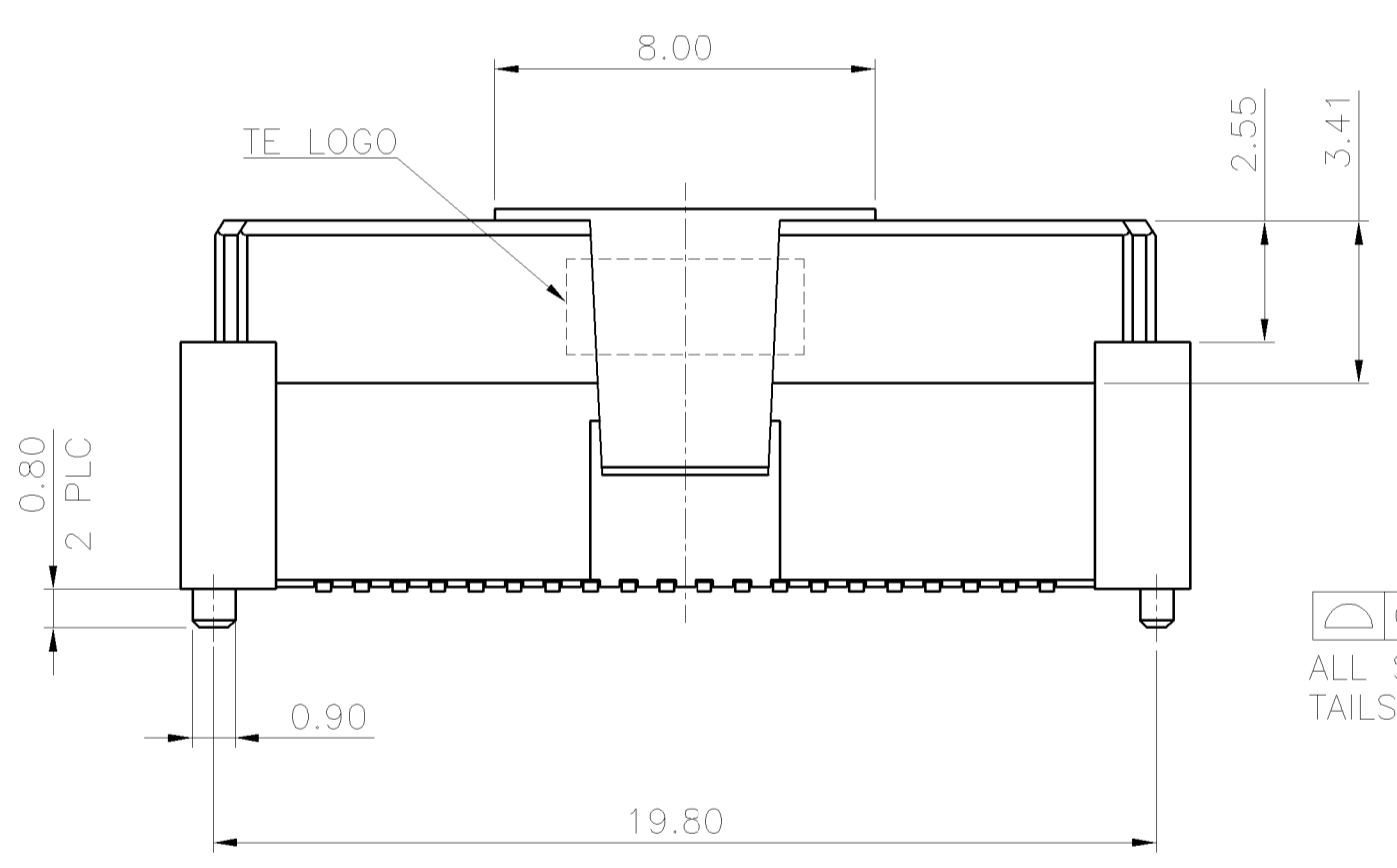
THIS DRAWING IS UNPUBLISHED. RELEASED FOR PUBLICATION
 © COPYRIGHT BY TYCO ELECTRONICS CORPORATION. ALL RIGHTS RESERVED.

LOC	DIST	REVISIONS					
DW	—	P	LTR	DESCRIPTION	DATE	DWN	APVD
		A	RELEASED		21JAN08	AW	WK

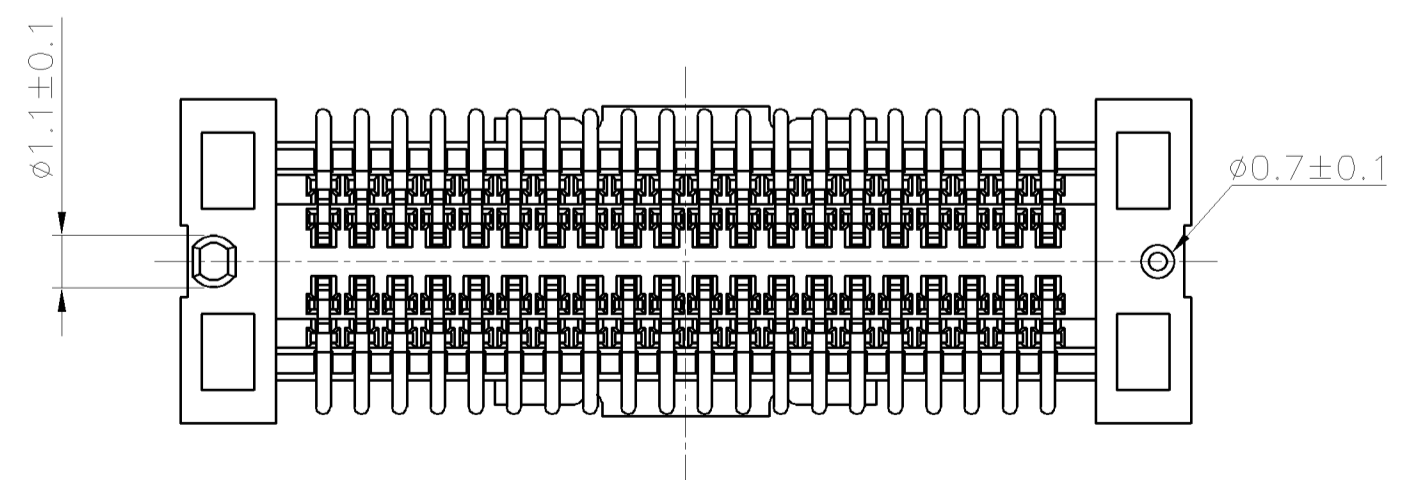
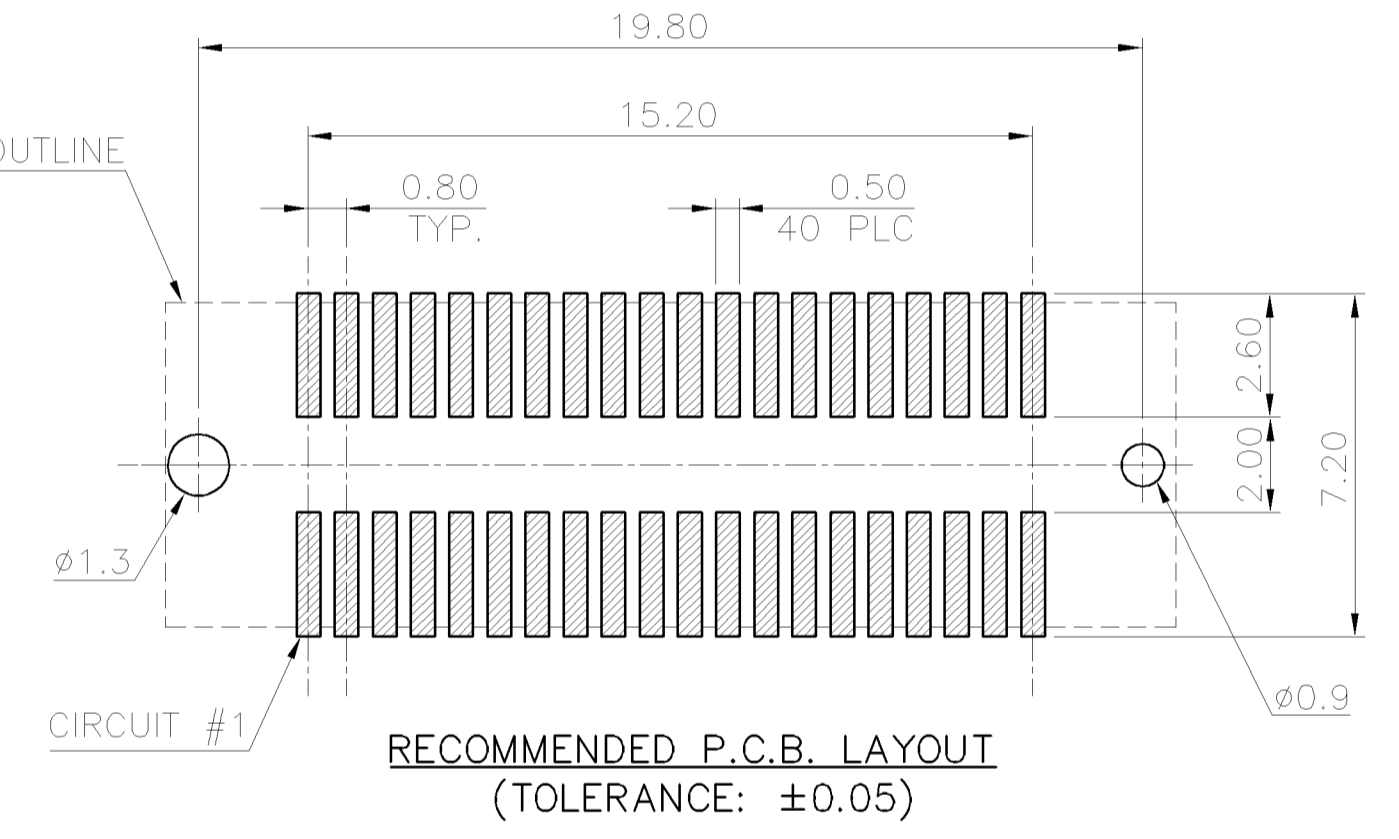


NOTE:

- MATERIAL:
HOUSING: LCP WITH 30% GF, UL 94V-0, NATURAL COLOR.
CONTACT: PHOSPHOR BRONZE.
CAP: BRASS.
- FINISH:
CONTACT: GOLD FLASH PLATED ON CONTACT AREA, 2.54μm [100μ"] MIN. MATTE-TIN ON SOLDER TAIL, WITH ENTIRE CONTACT UNDERPLATED 1.27μm [50μ"] MIN. NICKEL.
CAP: 0.762μm [30μ"] MIN. NICKEL.
- REFLOW SOLDER CAPABLE TO 260°C PER 109-201, CONDITION B.
- RECOMMENDED RECEPTACLE P/N: 1775876-2



CONNECTOR OUTLINE



0.10 ALL SOLDER TAILS

40	1775729-1
NO. OF CONTACTS	PART NUMBER

THIS DRAWING IS A CONTROLLED DOCUMENT.		DWN A. WU	21JAN2008	Tyco Electronics Corporation Taipei, Taiwan	
DIMENSIONS: MM		CHK S. HOU	21JAN2008	NAME	
TOLERANCES UNLESS OTHERWISE SPECIFIED:		APVD W. KODAMA	21JAN2008	0.8 mm PITCH BOARD-TO-BOARD CONNECTOR, FH, RECEPTACLE	
0 PLC ± -		PRODUCT SPEC		SIZE	CAGE CODE
1 PLC ± 0.25		108-57610		501-57709	DRAWING NO
2 PLC ± 0.2		QUALIFICATION TEST REPORT		1.25 GRAMS	RESTRICTED TO
3 PLC ± -		501-57709		W. KODAMA	—
4 PLC ± -		WEIGHT		A300779	SCALE
ANGLES ± -		CUSTOMER DRAWING		C-1775729	SHEET
FINISH SEE NOTE		SCALE		1 OF 2	REV
SEE NOTE		SCALE		—	A

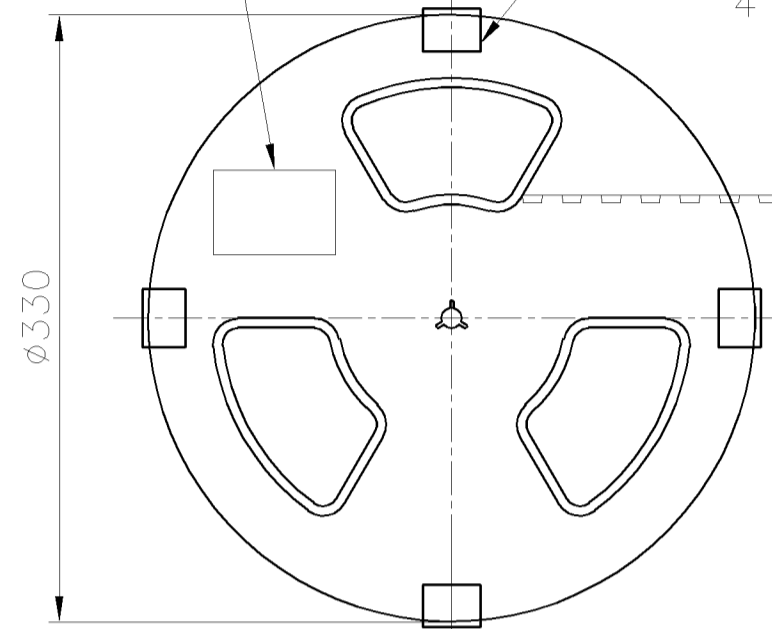
THIS DRAWING IS UNPUBLISHED. RELEASED FOR PUBLICATION
 © COPYRIGHT BY TYCO ELECTRONICS CORPORATION. ALL RIGHTS RESERVED.

LOC DW
 DIST —

REVISIONS					
P	LTR	DESCRIPTION	DATE	DWN	APVD
		SEE SHEET 1.			

44±0.40

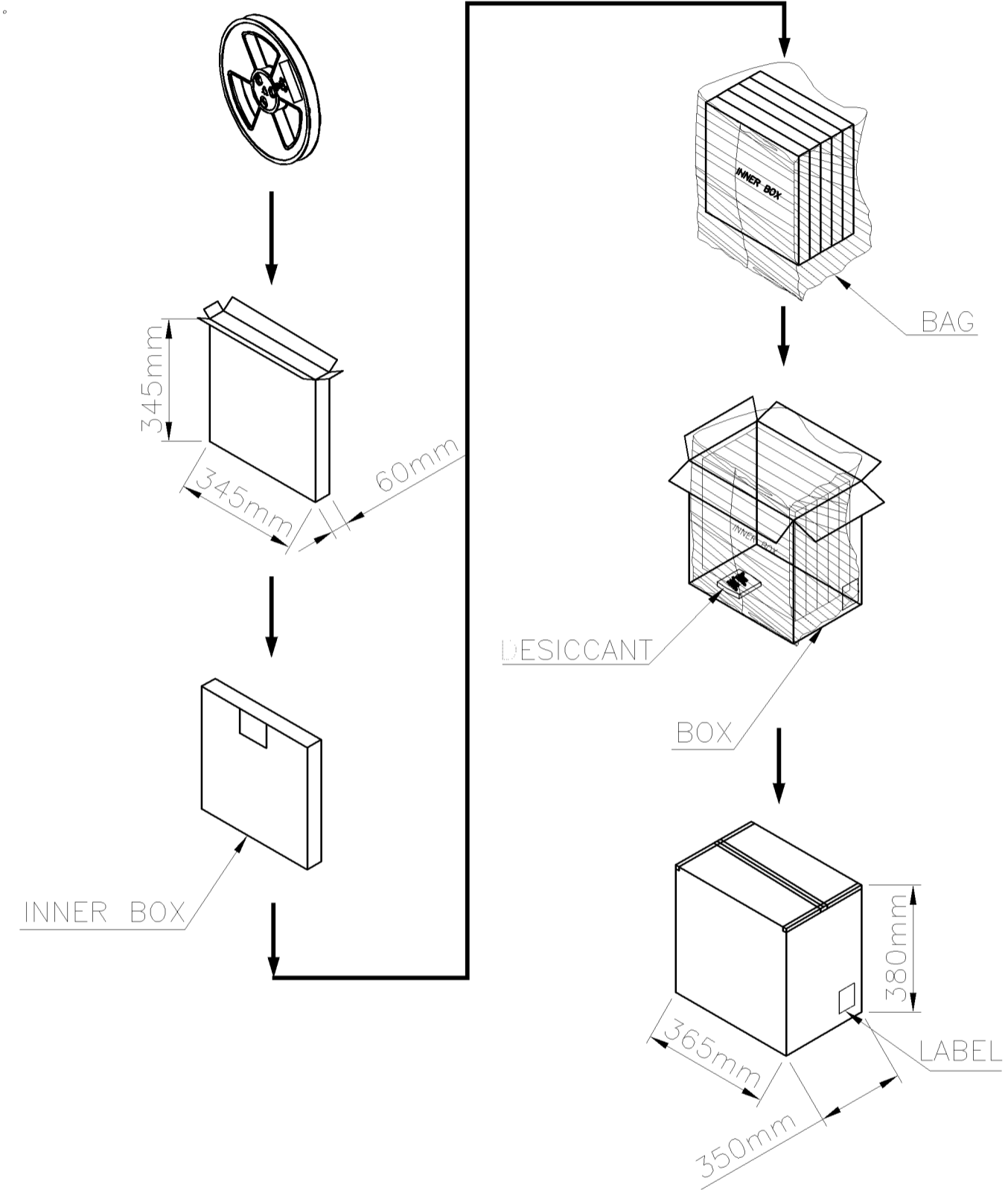
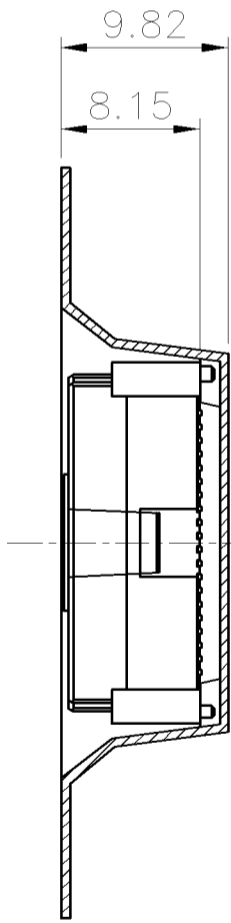
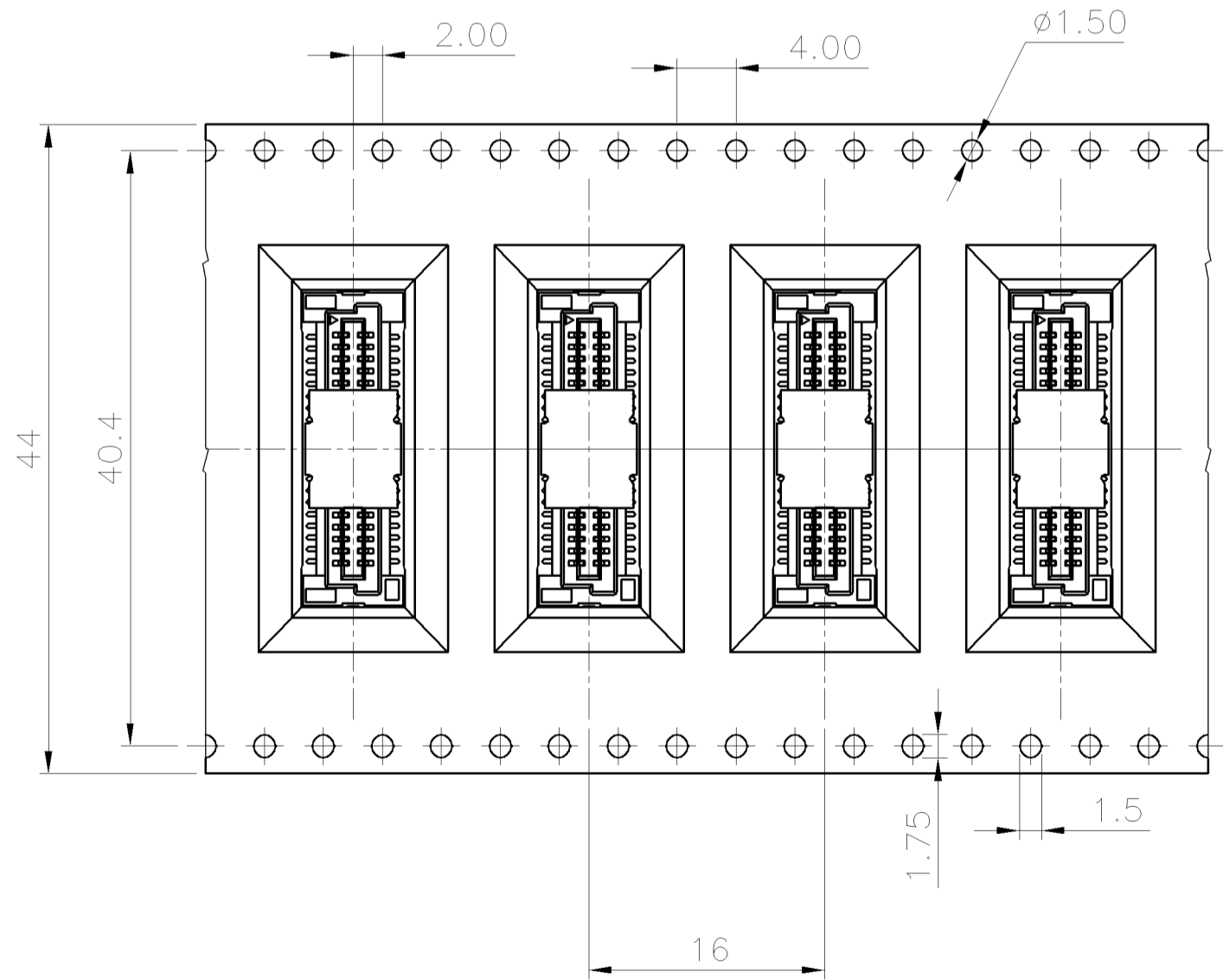
LABEL
 ADHESIVE TAPE
 4 PLC



160 MIN.
 PEELING ANGLE
 165° ~ 180°

ABOUT 300 MM LONG UNLOADED SECTION
 PRODUCT LOADING SECTION
 ABOUT 300 MM LONG UNLOADED SECTION

TOP OF TAPE



400	5	2000 PCS	4.85	2.50	40
PCS/TAPE	REEL/BOX	QUTANTITY	G/W (Kg)	N/W (Kg)	NO. OF CONTACTS

THIS DRAWING IS A CONTROLLED DOCUMENT.		DWN A. WU 21JAN2008	Tyco Electronics Corporation Taipei, Taiwan		
DIMENSIONS: MM		CHK S. HOU 21JAN2008	NAME		
TOLERANCES UNLESS OTHERWISE SPECIFIED:		APVD W. KODAMA 21JAN2008	0.8 mm PITCH BOARD-TO-BOARD CONNECTOR, FH, RECEPTACLE		
MATERIAL		PRODUCT SPEC	SIZE	CAGE CODE	DRAWING NO
FINISH		APPLICATION SPEC	A300779		C=1775729
		WEIGHT	CUSTOMER DRAWING		RESTRICTED TO
			SCALE	SHEET	REV
			—	2 OF 2	A