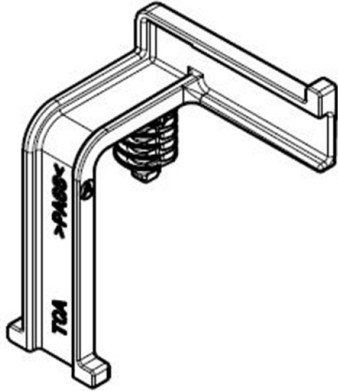


Specification Sheet

Part Number: 151-01125



Clip can be installed by hand – no need for hardware or tools. Design provides low insertion and high extraction force, for simple, secure performance.

Clip keeps bundle away from areas that could cause damage due to rubbing.

Standoff Bundling Clip, 1.7" Long, Panel Thickness .02"–.23", PA66HIRHS, Gray, 5000/box

Article Number	151-01125
Type	SOC13FT6LGL
Color	Gray (GY)
Quantity Per	carton
Product Description	Standoff bundling clips provide a straightforward way to secure cable bundles, hoses or pipes. The bundle fastens to the tape bar using tape or cable ties. Multiple orientations allow tape clips to be used with a wide range of panel thicknesses and hole diameters. Standoff keeps bundles away from mounting area to prevent them from damage due to rubbing.
Short Description	Standoff Bundling Clip, 1.7" Long, Panel Thickness .02"–.23", PA66HIRHS, Gray, 5000/box

Global Part Name

SOC13FT6LGL-PA66HIRHS-GY

Length L (Imperial)

1.7

Length L (Metric)

43.2

Offset Length (Imperial)

0.8

Offset Length (Metric)

20.3

Fixation Method

Fir Tree

Width W (Imperial)

0.87

Width W (Metric)

22.0

Height H (Imperial)

1.33

Height H (Metric)

33.7

Panel Thickness Min (Imperial)

0.02

Panel Thickness Max (Imperial)

0.23

Panel Thickness Min (Metric)

0.6

Panel Thickness Max (Metric)

5.75

Mounting Hole Diameter D (Imperial)

0.24 - 0.27

Mounting Hole Diameter D (Metric)

6.1 - 6.9 mm 6.35 mm (hexagonal)

Mounting Hole Diameter D Min (Imperial) 0.24

Mounting Hole Diameter D Max (Imperial) 0.27

Mounting Hole Diameter D Max (Metric) 6.9

Material Polyamide 6.6, high impact modified, heat stabilized (PA66HIRHS)

Material Shortcut PA66HIRHS

Flammability UL 94 HB

Operating Temperature -40°F to +230°F (-40°C to +110°C)

Package Quantity (Imperial) 5000

Package Quantity (Metric) 5000

Customs Number 3926909988