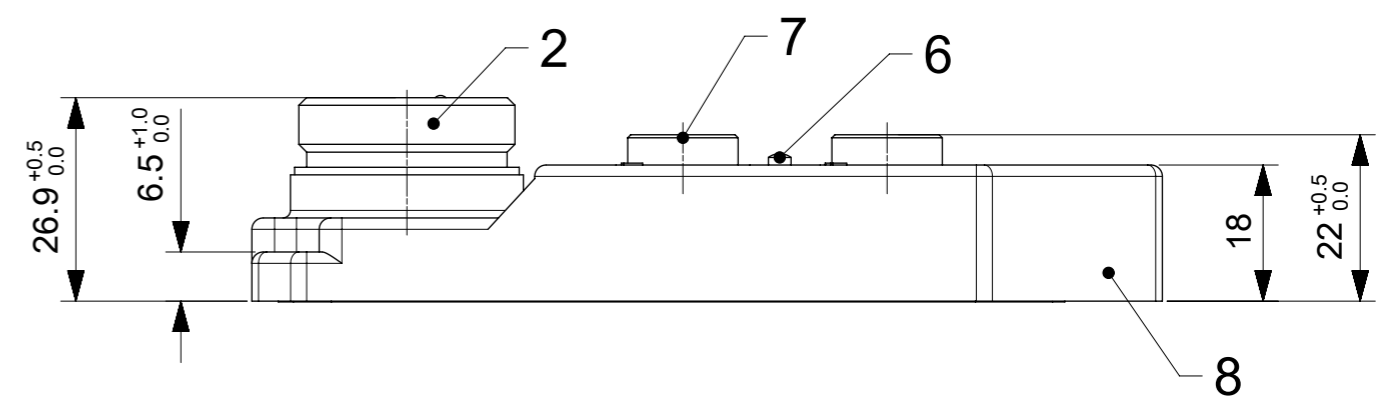
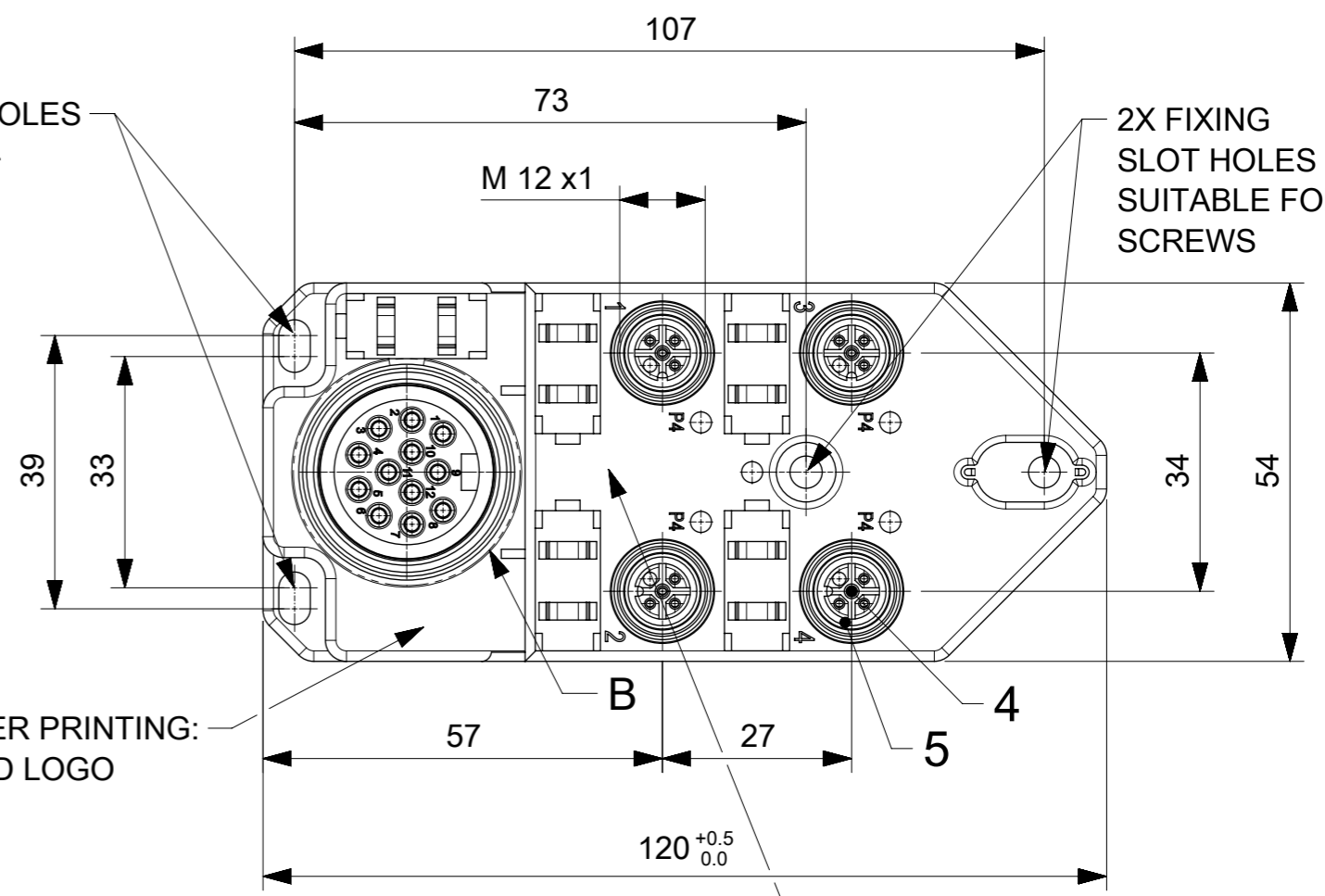
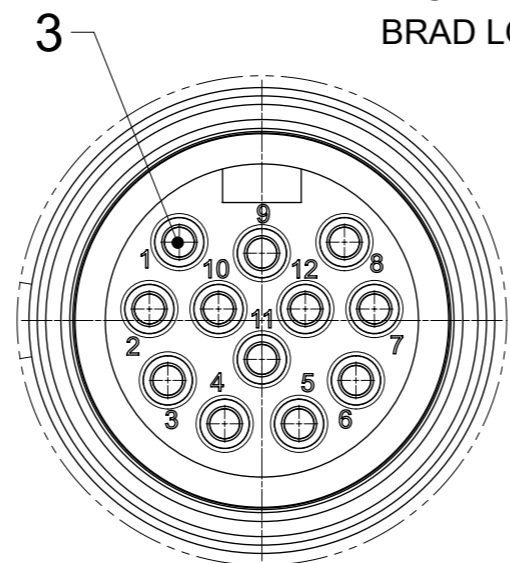
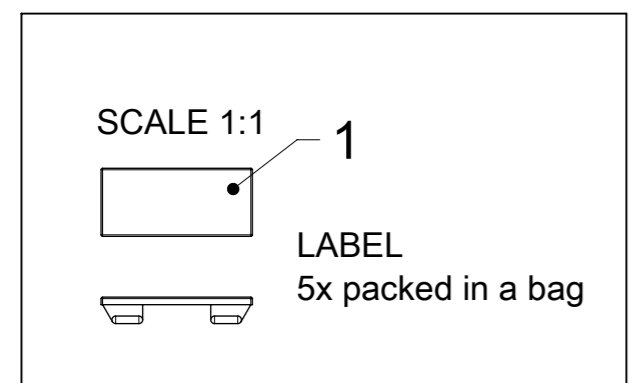


TABLE 1

MOLEX P/N	ENG. NO.	LED
1202480067	BTB4010-FBB	NO
1202480068	BTB401P-FBB	YES
1202480069	BTB401N-FBB	YES

TABLE 2 BILL OF MATERIAL

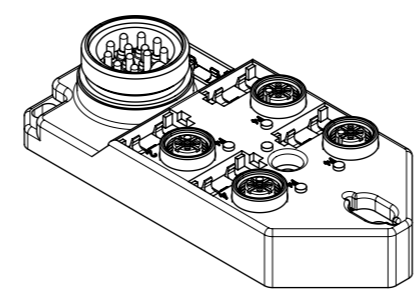
ITEM	DESCRIPTION	MATERIAL	FINISH
1	LABEL	ABS	WHITE
2	SHELL	BRASS	NICKEL PLATED
3	CONTACT	BRASS	GOLD OVER NICKEL
4	CONTACT	BRONZE	GOLD OVER NICKEL
5	O-RING	FPM	RED
6	LED	NO LED = PA	BLACK
		WITH LED = PA	TRANSPARENT
7	SHELL	BRASS	NICKEL PLATED
8	HOUSING	PBT	BLACK



GENERAL CHARACTERISTICS:

ELECTRICAL AND MECHANICAL DATA ACC. TO IEC 61076-2-101

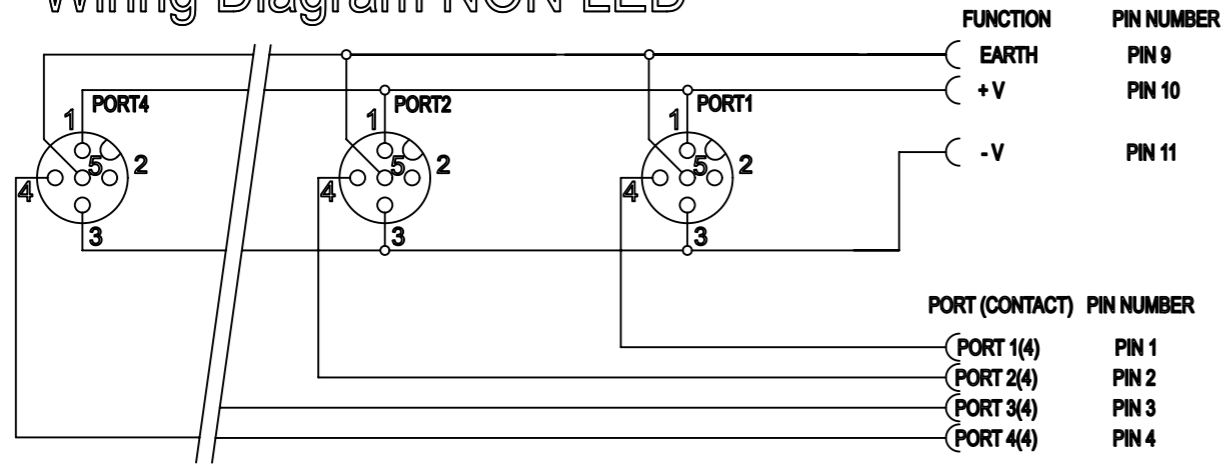
NOMINAL VOLTAGE: 10-30 V DC
 AMPERE RATING: 4 A PER PORT / 12 A MAX
 AMPERE RATING WITH UL REGISTRATION: 3 A PER PORT / 9 A MAX
 IP DEGREE OF PROTECTION: IP 67
 TEMPERATURE RANGE: -25°C to + 85°C



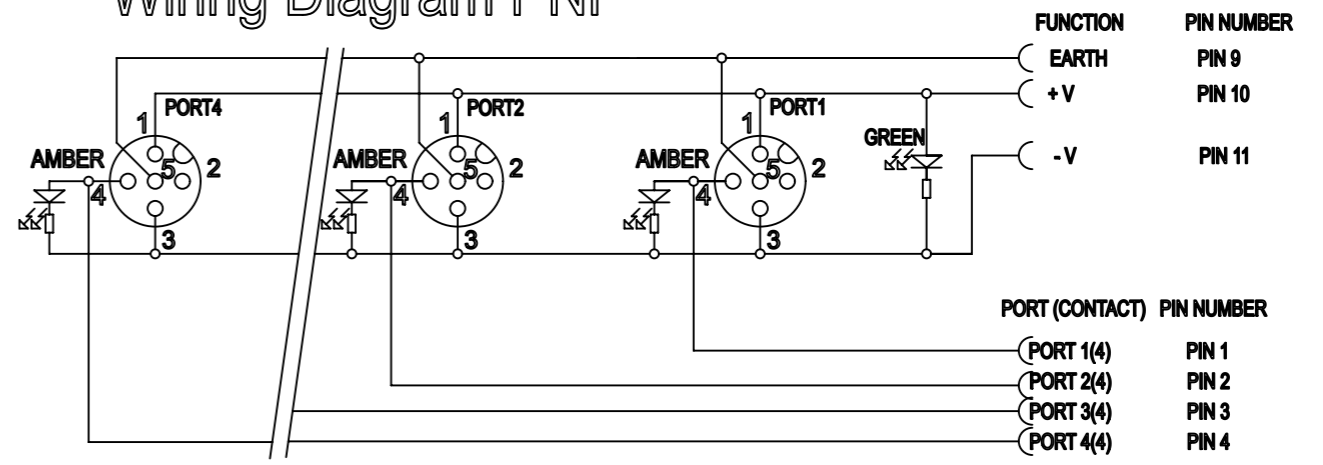
SCALE 1:2

SYMBOLS	DIMENSION UNITS	SCALE	CURRENT REV DESC: LASER PRINT UPDATE					
▽ = 0	mm		molex MPIS M12 PNP NPN NOS 4P 4PT 12P MC BK STA SINGLE					
▽ = 0	GENERAL TOLERANCES (UNLESS SPECIFIED)					EC NO: 606042	2018/08/31	
▽ = 0	ANGULAR TOL ± °					DRWN: SSM	2018/10/18	
▽ = 0	4 PLACES ±					CHK'D: RSILLER	2018/10/18	
▽ = 0	3 PLACES ±		APPR: RSILLER	2018/10/18				
▽ = 0	2 PLACES ±		INITIAL REVISION:					
▽ = 0	1 PLACE ±		DRWN: AAHLERS	2015/04/07				
▽ = 0	0 PLACES ± 0.25		APPR: RSILLER	2017/01/18				
■ = 0	DRAFT WHERE APPLICABLE MUST REMAIN WITHIN DIMENSIONS		THIRD ANGLE PROJECTION	DRAWING	SERIES	MATERIAL NUMBER	CUSTOMER	SHEET NUMBER
▽ = 0			A3-SIZE	120248	SEE TABLE 1	GENERAL MARKET	1 OF 2	

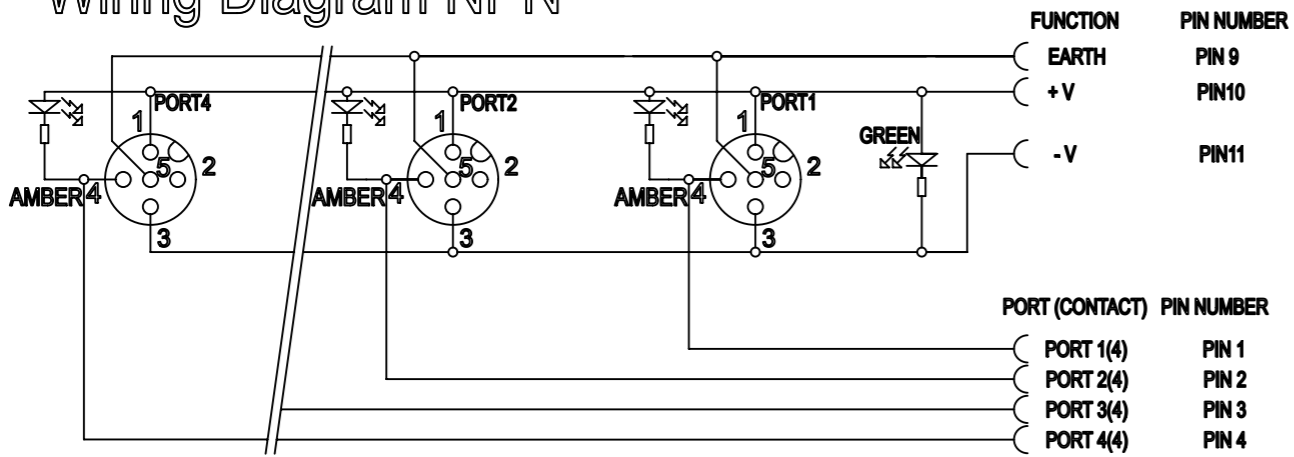
Wiring Diagram NON LED



Wiring Diagram PNP



Wiring Diagram NPN



SYMBOLS	THIS DRAWING CONTAINS INFORMATION THAT IS PROPRIETARY TO MOLEX ELECTRONIC TECHNOLOGIES, LLC AND SHOULD NOT BE USED WITHOUT WRITTEN PERMISSION		CURRENT REV DESC: LASER PRINT UPDATE			molex			
	DIMENSION UNITS	SCALE							MPIS M12 PNP NPN NOS 4P 4PT 12P MC BK STA SINGLE
▽ = 0	mm		EC NO: 606042	2018/08/31		DOCUMENT NUMBER	DOC TYPE	DOC PART	REVISION
▽ = 0	GENERAL TOLERANCES (UNLESS SPECIFIED)		DRWN: SSM	2018/10/18		1202480067	PSD	000	B
▽ = 0	ANGULAR TOL	± °	CHK'D: RSILLER	2018/10/18					
▽ = 0	4 PLACES	±	APPR: RSILLER	2018/10/18		PRODUCT CUSTOMER DRAWING			
▽ = 0	3 PLACES	±	INITIAL REVISION:			MATERIAL NUMBER			
▽ = 0	2 PLACES	±	DRWN: AAHLERS	2015/04/07		CUSTOMER			
▽ = 0	1 PLACE	±	APPR: RSILLER	2017/01/18		SEE TABLE 1			
▽ = 0	0 PLACES	± 0.25	THIRD ANGLE PROJECTION			DRAWING	SERIES	SHEET NUMBER	
□ = 0	DRAFT WHERE APPLICABLE MUST REMAIN WITHIN DIMENSIONS		A3-SIZE		120248	GENERAL MARKET		2 OF 2	