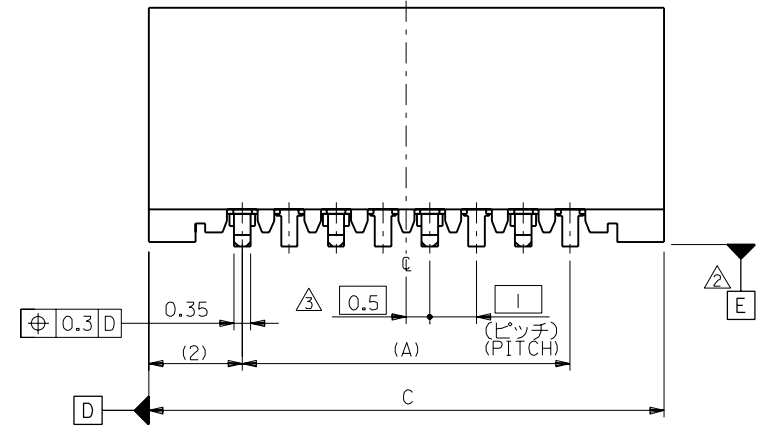
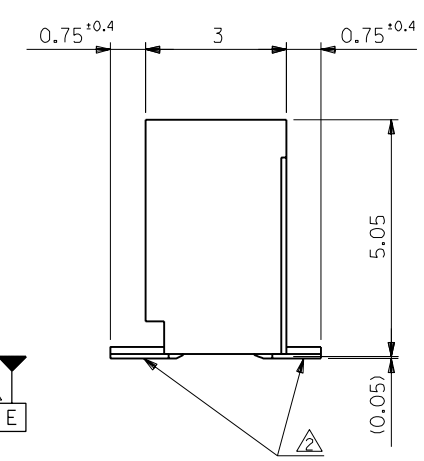
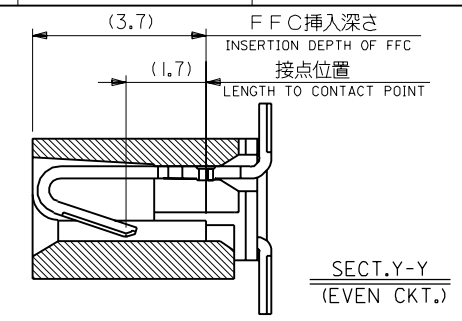
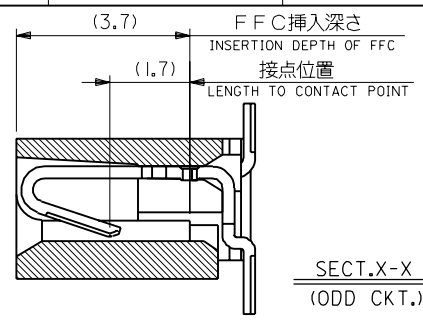
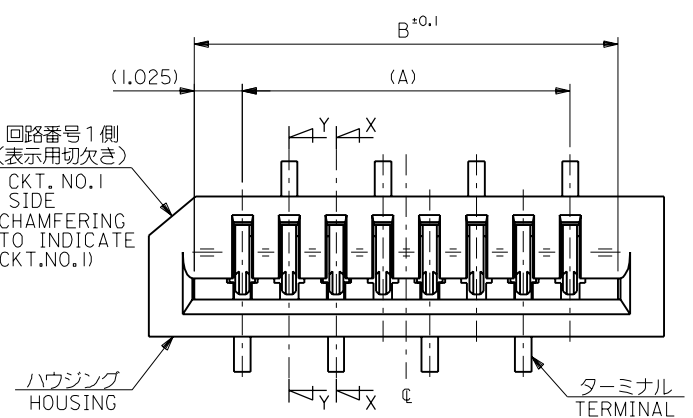


DWG. NO. SD-52808-\*\*-10  
 DIMENSIONS IN METRIC DO NOT SCALE DRAWING  
 :MM

回路番号1側  
 (表示用切欠き)  
 CKT. NO.1  
 SIDE  
 (CHAMFERING  
 TO INDICATE  
 CKT.NO.1)



33	31.05	29	52808-3010	30
32	30.05	28	-2910	29
31	29.05	27	-2810	28
30	28.05	26	-2710	27
29	27.05	25	-2610	26
28	26.05	24	-2510	25
27	25.05	23	-2410	24
26	24.05	22	-2310	23
25	23.05	21	-2210	22
24	22.05	20	-2110	21
23	21.05	19	-2010	20
22	20.05	18	-1910	19
21	19.05	17	-1810	18
20	18.05	16	-1710	17
19	17.05	15	-1610	16
18	16.05	14	-1510	15
17	15.05	13	-1410	14
16	14.05	12	-1310	13
15	13.05	11	-1210	12
14	12.05	10	-1110	11
13	11.05	9	-1010	10
12	10.05	8	-0910	9
11	9.05	7	-0810	8
10	8.05	6	-0710	7
9	7.05	5	-0610	6
8	6.05	4	-0510	5
7	5.05	3	-0410	4
6	4.05	2	52808-0310	3
C	B	A	ENG. NO	極数 CIRCUIT

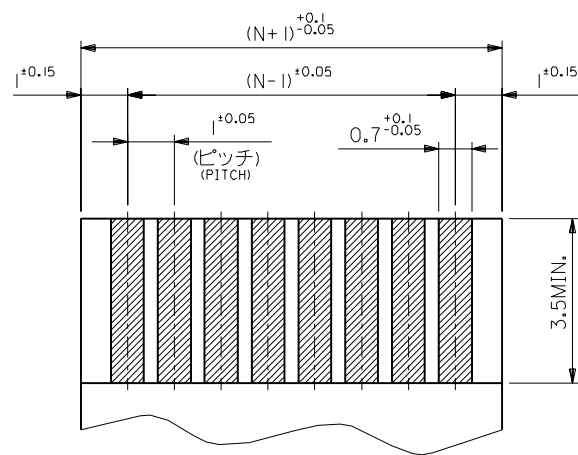
注記 NOTES:

1. 使用材料 MATERIAL  
 ハウジング : PPS, UL94V-0  
 ターミナル : リン青銅 (t=0.25)  
 メッキ : 銅下地半田メッキ  
 HOUSING : PPS, UL94V-0  
 TERMINAL : PHOSPHOR BRONZE  
 PLATING : Sn-Pb OVER Cu
- 基準面 [E] からのソルダテールの半田付け面のズレ量は、  
 上方向に0.1MAX. 下方向0.15MAX. とする。  
 MISALIGNMENT OF SOLDER TAIL FROM [E]  
 : UPPER DIRECTION 0.1 MAX. , LOWER DIRECTION 0.15 MAX.
- 偶数極に適用。  
 APPLY FOR EVEN CKT.

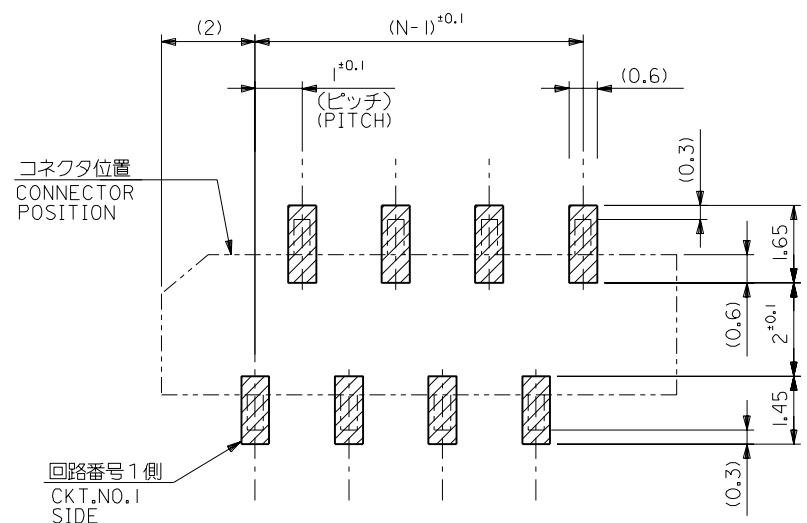
角度 ANGLE	±3°	記号 LTR	変更内容 REVISION RECORD	DR. CHK.	日付 DATE
30以上 OVER	+0.3	B	変更 (JC80908)	M.H.	98/5/28
10以上 30未満 UNDER	+0.25	A	変更 (J40672)	S.S.	94/8/22
10未満 UNDER	+0.2	O	新規作成 (J40449)	S.S.	94/6/9
一般公差 GENERAL TOLERANCES 記号 LTR 変更内容 REVISION RECORD DR. CHK. 日付 DATE					

材料 MATERIAL	注記参照 SEE NOTES
仕上げ FINISH	— / —
適用電線範囲 WIRE RANGE	— / —
被覆外径 INS. RANGE	— / —
DRAWN BY 94/6/9 S. AIHARA	CHK'D BY 98/5/28 T. ITO
APP'D BY 98/5/28 M. FUKUSHIMA	尺度 SCALE 10-1

MOLEX JAPAN CO., LTD.  
 日本モレックス株式会社  
 REVISE ONLY ON CAD SYSTEM  
 TITLE 名称  
 I.O FFC CONN.  
 NON Z.I.F. SMT. ST.  
 DWG. NO. (SHEET 1 OF 2) REV B  
 SD-52808-\*\*-10



(仕上がり厚さ)  $0.3 \pm 0.03$   
THICKNESS  
適合FPC推奨寸法  
APPLICABLE FPC  
RECOMMENDED DIMENSION.



コネクタ位置  
CONNECTOR  
POSITION

回路番号 1 側  
CKT. NO. 1  
SIDE

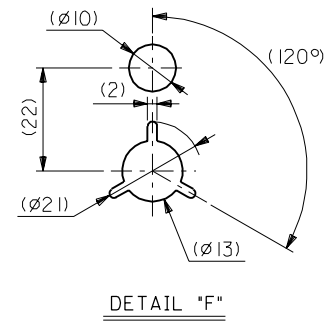
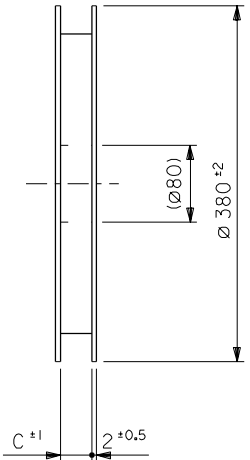
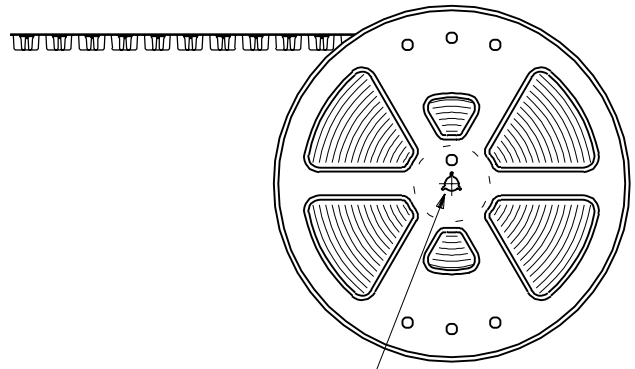
参考基板レイアウト (マウント面)  
RECOMMENDED P.C. BOARD  
PATTERN DIMENSION. (REF.)  
(MOUNTING AREA)

DIMENSIONS IN METRIC DO NOT SCALE DRAWING

角度 ANGLE	$\pm 3^\circ$					材料 MATERIAL	— // —
30 以上 OVER	$+0.3$	B	変更 (JC80908)	M.H.	98/5/28	仕上げ FINISH	— // —
10 以上 30 未満 UNDER	$+0.25$	A	変更 (J40672)	S.S.	94/8/22	適用電線範囲 WIRE RANGE	— // —
10 未満 UNDER	$+0.2$	O	新規作成 (J40449)	S.S.	94/6/6	被覆外径 INS. RANGE	— // —
一般公差 GENERAL TOLERANCES		記号 LTR	変更内容 REVISION RECORD	DR. CHK.	日付 DATE	DRAWN BY 94/6/6 S. AIHARA	CHK'D BY 98/5/28 T. ITO

MOLEX-JAPAN CO.,LTD. 日本モレックス株式会社
REVISE ONLY ON CAD SYSTEM
TITLE 名称 I.O FFC CONN. NON Z.I.F. SMT. ST.
DWG. NO. (SHEET 2 OF 2) REV B
SD-52808-**-10

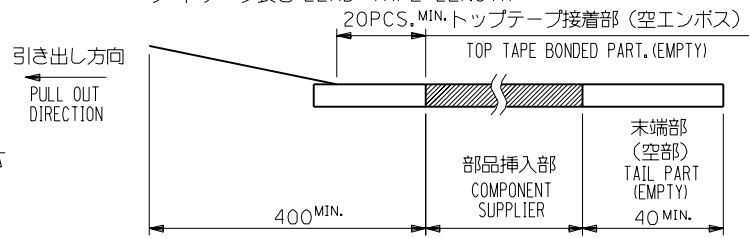
引き出し方向  
PULL OUT



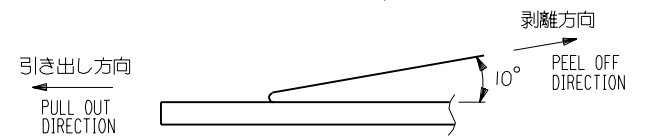
DETAIL "F"

NOTES

- 製品詳細寸法については図面 SD-52808-\*\*\*10 を参照下さい。  
RE DETAILED DIMENSION, SEE SD-52808-\*\*\*10
- 梱包数量：1000個/リール  
NUMBER OF CONNECTORS : 1000PCS/REEL
- リードテープ長さ LEAD TAPE LENGTH

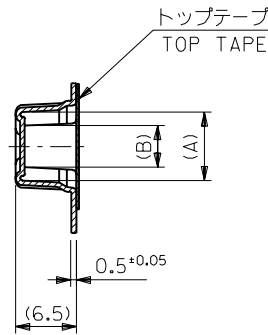


- トップテープの剥離強度：0.1N ~ 0.7N(10.2gf ~ 71.4gf)  
(剥離方向は下図参照)  
尚、本規格値は出荷時に適用。(但し、輸送時に剥離が発生しないこと。)  
PEELING OFF FORCE OF TOP TAPE : 0.1N ~ 0.7N(10.2gf ~ 71.4gf)  
(PEELING DIRECTION AS SHOWN IN FOLLOWING FIG.)  
THIS REQUIREMENT SHOULD BE APPLIED AT SHIPMENT.  
PEEL OFF SHOULD NOT BE ALLOWED ,DURING TRANSPORTATION.

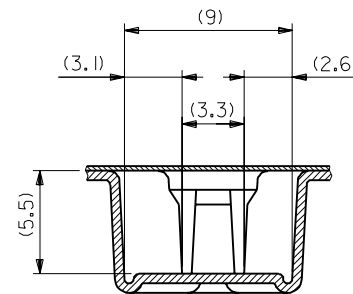
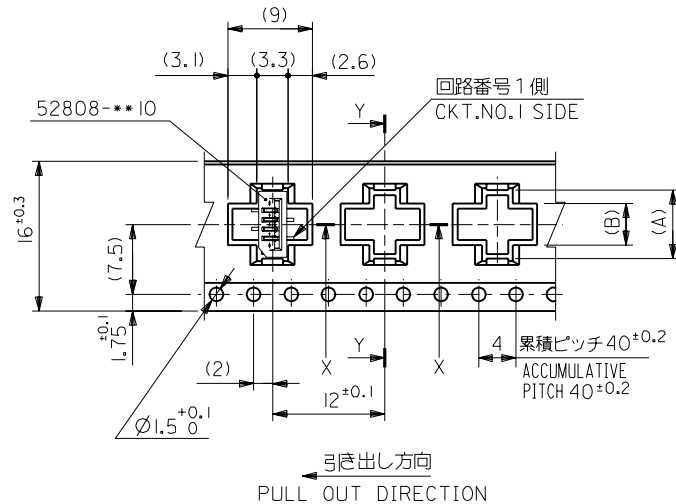


- 材料(MATERIAL)  
キャリアテープ(CARRIER TAPE)：ポリプロピレン(POLYPROPYLENE)  
トップテープ(TOP TAPE)：PET, PE, PEF  
リール(REEL)：ポリスチレン(P.S) <リサイクル材を含む>  
POLYSTYREN(PS) <RECYCLE MATERIAL CONTAINED>

P 変更 (JC2001-0500) K.K S.K '00/12/26		材料 MATERIAL 注記参照 SEE NOTES	molex MOLEX-JAPAN CO.,LTD. 日本モレックス株式会社
N 変更 (JC71074) Y.K S.A '97/ 6/11			
M 変更 (JC70026) S.A M.F '96/ 7/12		適用電線範囲 WIRE RANGE —#—	REVISE ONLY ON CAD SYSTEM
L 変更 (JC60943) T.Y M.F '96/ 7/ 8		被覆外径 INS. RANGE —#—	TITLE 名称
K 変更 (JC60852) T.Y M.F '96/ 5/23		DRAWN BY '95/ 9/ 7 CHK'D BY '00/12/26 T.NIITSU S.KUNISHI	1.0 FFC Conn NON ZIF SMT ST Embstp Pkg
J 変更 (JC60751) T.N M.F '96/ 4/11			
H 変更及び再作図 (JC60151) T.N H.H '95/ 9/ 7		APP'D BY '00/12/26 M.FUKUSHIMA 尺度 SCALE —#—	SD-52808-***90 P
角度 ANGLE	+3°	記号 LTR 変更内容 REVISION RECORD	DR. 日付 DATE
30以上 OVER	+0.3		
10以上 30未満 UNDER	+0.25		
10未満 UNDER	+0.2		
一般公差 GENERAL TOLERANCES			



SECT:Y-Y

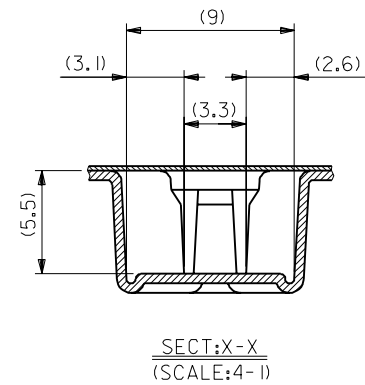
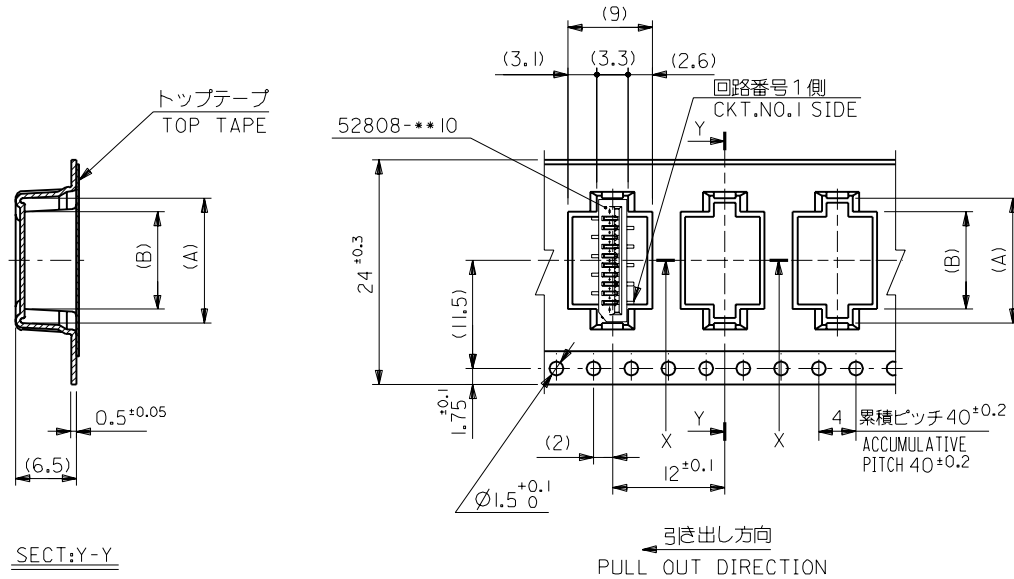


16mm幅キャリアテープ  
16mm WIDTH CARRIER TAPE

16	17.5	5.4	8.3	52808-0590	5
キャリアテープ幅 CARRIER TAPE WIDTH	C	4.4	7.3	52808-0490	4
	(B)	(A)		ENG.NO.	極致 CKT.

角度 ANGLE		3°			
30以上 OVER		+0.5			
10以上 30未満 OVER UNDER		+0.25			
10未満 UNDER		+0.2			
一般公差 GENERAL TOLERANCES	記号 LTR	変更内容 REVISION RECORD	DR. CHK.	日付 DATE	材料 MATERIAL SHEET 1 OF 6 参照 REFER TO SHEET 1 OF 6
	P	変更 (JC2001-0500)	K.K	00/12/26	仕上げ FINISH —#— 適用電線範囲 WIRE RANGE —#— 被覆外径 INS. RANGE —#— DRAWN BY '95/ 9/ 7 T.NIITSU CHK'D BY '00/12/26 S.KUNISHI APP'D BY '00/12/26 M.FUKUSHIMA SCALE —#—
	N	変更 (JC71074)	Y.K	97/ 6/11	
	M	変更 (JC70026)	S.A	96/ 7/12	
	L	変更 (JC60943)	T.Y	96/ 7/ 8	
	K	変更 (JC60852)	M.F	96/ 5/23	
	J	変更 (JC60751)	T.N	96/ 4/11	
	H	変更及び再作図 REVISED & REDRAWN (JC60151)	T.N H.H	95/ 9/ 7	

MATERIAL SHEET 1 OF 6 参照 REFER TO SHEET 1 OF 6		MOLEX JAPAN CO.,LTD. 日本モレックス株式会社
REVISE ONLY ON CAD SYSTEM		
TITLE 名称		I.O FFC Conn NON ZIF SMT ST Embstp Pkg
DWG. NO.	(SHEET 2 OF 6)	REV
SD-52808-***90		P



SECT:Y-Y

SECT:X-X  
(SCALE:4-1)

24mm幅キャリアテープ  
24mm WIDTH CARRIER TAPE

24	25.5	10.4	13.3	52808-1090	10
		9.4	12.3	52808-0990	9
		8.4	11.3	52808-0890	8
		7.4	10.3	52808-0790	7
		6.4	9.3	52808-0690	6
キャリアテープ幅 CARRIER TAPE WIDTH	C	(B)	(A)	ENG.NO.	極致 CKT.

角度 ANGLE	±3°	L	変更 (JC60943)	T.Y.	96/7/8
30以上 OVER	+0.5	K	変更 (JC60852)	T.Y.	96/5/23
10以上 30未満 OVER	+0.25	J	変更 (JC60751)	T.N.	96/4/11
10未満 UNDER	+0.2	H	変更及び再作図 (JC60151)	T.N.	95/9/7
一般公差 GENERAL TOLERANCES		記号 LTR	変更内容 REVISION RECORD	DR. CHK.	日付 DATE

材料 MATERIAL	SHEET 1 OF 6 参照 REFER TO SHEET 1 OF 6
仕上げ FINISH	—#—
適用電線範囲 WIRE RANGE	—#—
被覆外径 INS. RANGE	—#—
DRAWN BY	95/9/7 CHK'D BY 96/12/26
	T.NIITSU S.KUNISHI
APP'D BY	96/12/26 尺度 SCALE —#—
	M.FUKUSHIMA

MOLEX-JAPAN CO.,LTD. 日本モレックス株式会社	
REVISE ONLY ON CAD SYSTEM	
TITLE 名称	
I.O FFC Conn NON ZIF SMT ST Embstp Pkg	
DWG. NO.	(SHEET 3 OF 6) REV
SD-52808-***90	P

DIMENSIONS IN METRIC DO NOT SCALE DRAWING

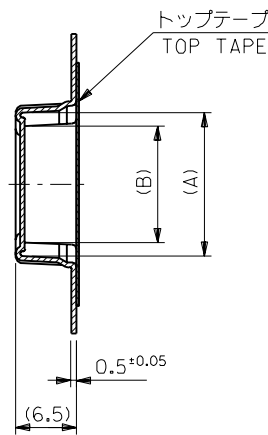
:MM

E

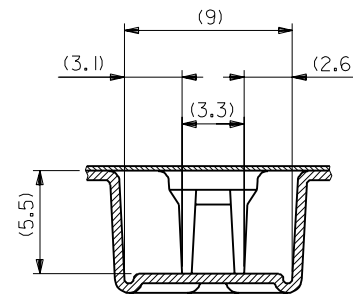
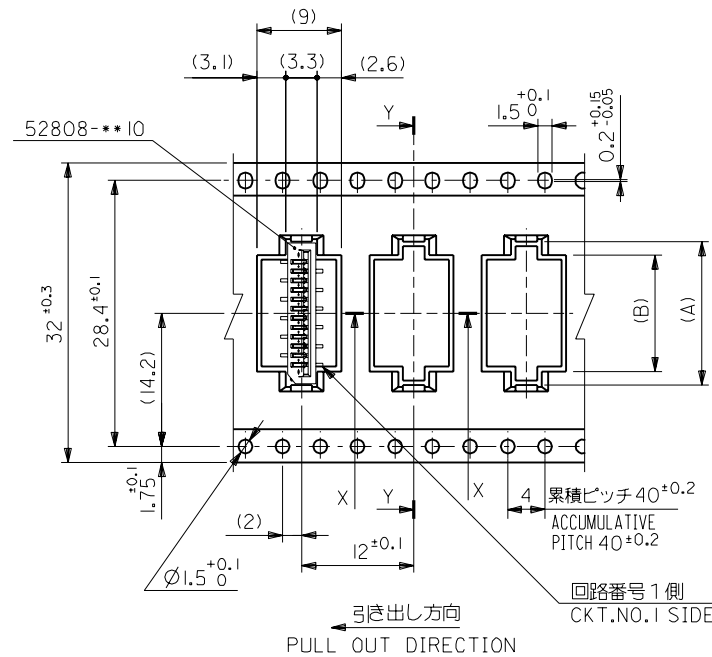
D

DIMENSIONS IN METRIC DO NOT SCALE DRAWING

A



SECT:Y-Y



SECT:X-X  
(SCALE:4-1)

32mm幅キャリアテープ  
32mm WIDTH CARRIER TAPE

32	33.5	15.4	18.3	52808-1590	15
		14.4	17.3	52808-1490	14
		13.4	16.3	52808-1390	13
		12.4	15.3	52808-1290	12
		11.4	14.3	52808-1190	11
キャリアテープ幅 CARRIER TAPE WIDTH	C	(B)	(A)	ENG.NO.	極致 CKT.

P	変更 REVISED	(JC2001-0500)	K.K	S.K	00/12/26
N	変更 REVISED	(JC71074)	Y.K	S.A	97/ 5/17
M	変更 REVISED	(JC70026)	S.A	M.F	96/ 7/12
L	変更 REVISED	(JC60943)	T.Y	M.F	96/ 7/ 8
K	変更 REVISED	(JC60852)	T.Y	M.F	96/ 5/23
J	変更 REVISED	(JC60751)	T.N	M.F	96/ 4/11
H	変更及び再作図 REVISED & REDRAWN	(JC60151)	T.N	H.H	95/ 9/ 7
記号 LTR	変更内容 REVISION RECORD	DR.	日付 DATE	CHK.	

角度 ANGLE	±3°
30以上 OVER	±0.5
10以上 30未満 OVER UNDER	±0.25
10未満 UNDER	±0.2
一般公差 GENERAL TOLERANCES	

材料 MATERIAL SHEET 1 OF 6 参照  
REFER TO SHEET 1 OF 6

仕上げ FINISH —#—

適用電線範囲  
WIRE RANGE —#—

被覆外径  
INS. RANGE

DRAWN BY 95/ 9/ 7 T.NIITSU  
CHK'D BY 00/12/26 S.KUNISHI

APP'D BY 00/12/26 M.FUKUSHIMA  
SCALE —#—

**molex** MOLEX-JAPAN CO.,LTD.  
日本モレックス株式会社

REVISE ONLY ON CAD SYSTEM

TITLE 名称  
I.O FFC Conn NON ZIF  
SMT ST Embstp Pkg

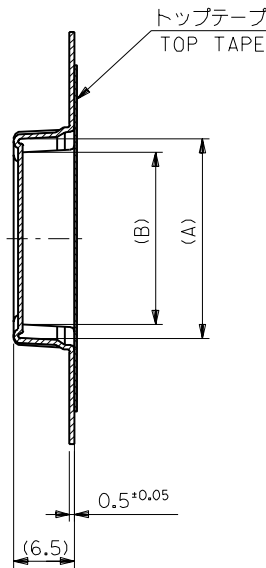
DWG. NO. (SHEET 4 OF 6) REV  
SD-52808-\*\*-90 P

E

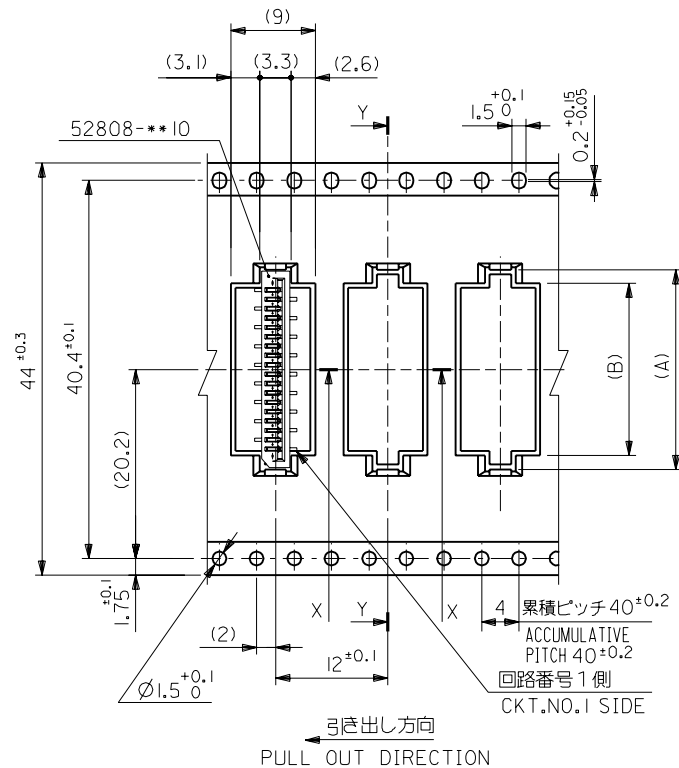
D

C  
B  
A  
DIMENSIONS IN METRIC DO NOT SCALE DRAWING

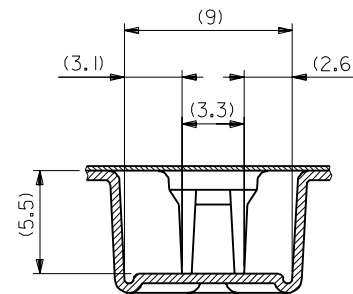
MM



SECT:Y-Y



4mm幅キャリアテープ  
44mm WIDTH CARRIER TAPE



SECT:X-X  
(SCALE:4-1)

44	45.5	28.4	31.3	52808-2890	28
		27.4	30.3	52808-2790	27
		26.4	29.3	52808-2690	26
		25.4	28.3	52808-2590	25
		24.4	27.3	52808-2490	24
		23.4	26.3	52808-2390	23
		22.4	25.3	52808-2290	22
		21.4	24.3	52808-2190	21
		20.4	23.3	52808-2090	20
		19.4	22.3	52808-1990	19
		18.4	21.3	52808-1890	18
17.4	20.3	52808-1790	17		
16.4	19.3	52808-1690	16		
キャリアテープ幅 CARRIER TAPE WIDTH	C	(B)	(A)	ENG.NO.	極致 CKT.

P	変更 REVISED	(JC2001-0500)	K.K	00/12/26
N	変更 REVISED	(JC71074)	Y.K	97/ 5/17
M	変更 REVISED	(JC70026)	S.A	96/ 7/12
L	変更 REVISED	(JC60943)	T.Y	96/ 7/ 8
K	変更 REVISED	(JC60852)	M.F	96/ 5/23
J	変更 REVISED	(JC60751)	T.N	96/ 4/11
H	変更及び再作図 REVISED & REDRAWN	(JC60151)	T.N	95/ 9/ 7
角度 ANGLE	±3°			
30以上 OVER	±0.5			
10以上 30未満 OVER UNDER	±0.25			
10未満 UNDER	±0.2			
一般公差 GENERAL TOLERANCES	記号 LTR	変更内容 REVISION RECORD	DR. CHK.	日付 DATE

材料 MATERIAL	SHEET 1 OF 6 参照 REFER TO SHEET 1 OF 6
仕上げ FINISH	—#—
適用電線範囲 WIRE RANGE	—#—
被覆外径 INS. RANGE	—#—
DRAWN BY 95/ 9/ 7 T.NIITSU	CHK'D BY 00/12/26 S.KUNISHI
APP'D BY 00/12/26 M.FUKUSHIMA	尺度 SCALE —#—

molex MOLEX-JAPAN CO.,LTD. 日本モレックス株式会社	
REVISE ONLY ON CAD SYSTEM	
TITLE 名称	
I.O FFC Conn NON ZIF SMT ST EmbstP Pkg	
DWG. NO.	(SHEET 5 OF 6) REV
SD-52808-***90	P

E

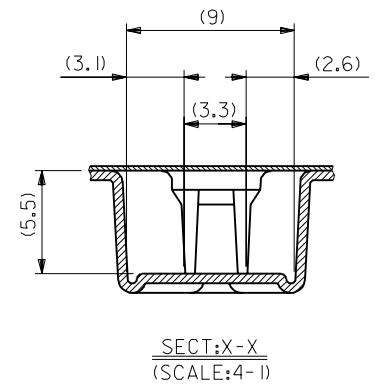
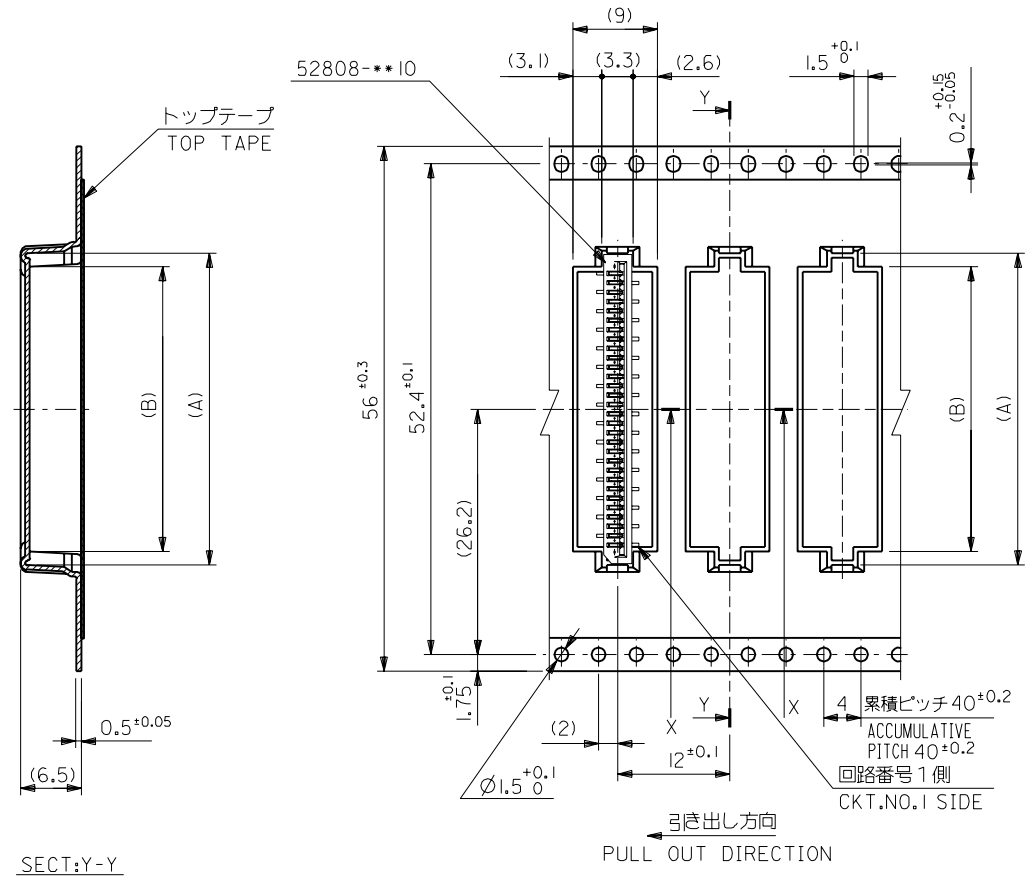
D

C

B

A

MM DIMENSIONS IN METRIC DO NOT SCALE DRAWING



SECT:Y-Y

56mm幅キャリアテープ  
56mm WIDTH CARRIER TAPE

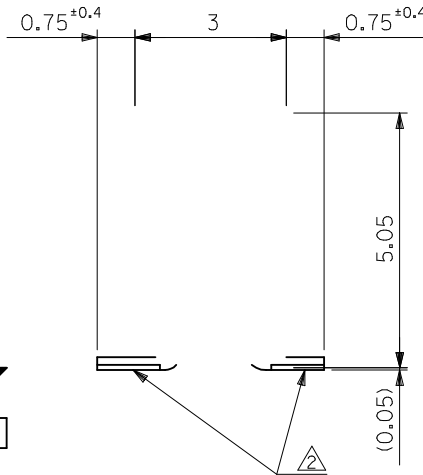
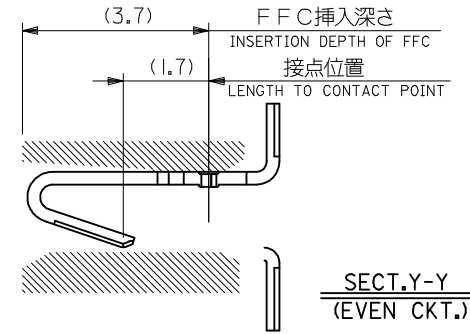
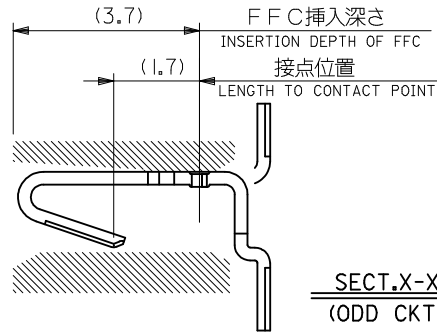
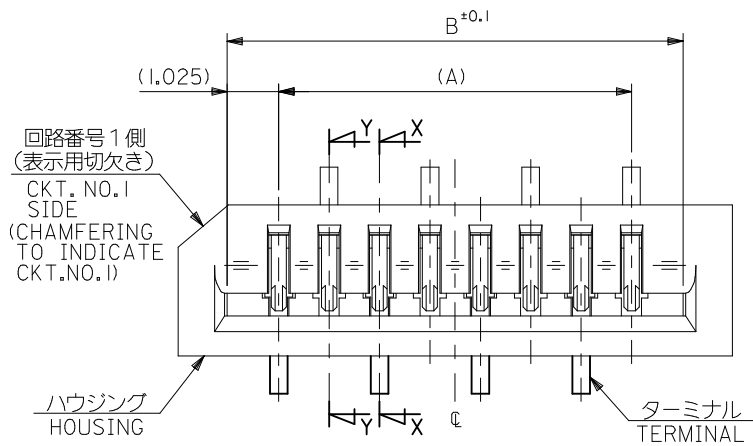
56	57.5	30.4	33.3	52808-3090	30
キャリアテープ幅 CARRIER TAPE WIDTH	C	29.4	32.3	52808-2990	29
		(B)	(A)	ENG.NO.	極致 CKT.

角度 ANGLE	±3°	L	変更 (JC60943)	T.Y.	96/7/8
30以上 OVER	+0.5	K	変更 (JC60852)	T.Y.	96/5/23
10以上 30未満 OVER	+0.25	J	変更 (JC60750)	T.N.	96/4/11
10未満 UNDER	+0.2	H	変更及び再作図 (JC60151)	T.N.	95/9/7
公差 GENERAL TOLERANCES		記号 LTR	変更内容 REVISION RECORD	DR. CHK.	日付 DATE

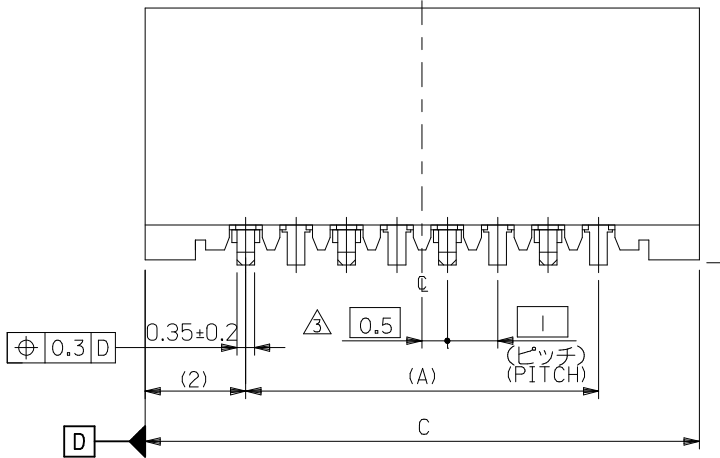
材料 MATERIAL	SHEET 1 OF 6 参照 REFER TO SHEET 1 OF 6	
仕上げ FINISH	—#—	
適用電線範囲 WIRE RANGE	—#—	
被覆外径 INS. RANGE	—#—	
DRAWN BY	95/9/7	CHK'D BY
T.NIITSU		S.KUNISHI
APP'D BY	00/12/26	尺度
M.FUKUSHIMA		SCALE

molex MOLEX-JAPAN CO.,LTD. 日本モレックス株式会社	
REVISE ONLY ON CAD SYSTEM	
TITLE 名称	
I/O FFC Conn NON ZIF SMT ST Embs+tp Pkg	
DWG. NO.	(SHEET 6 OF 6) REV
SD-52808-***90	P



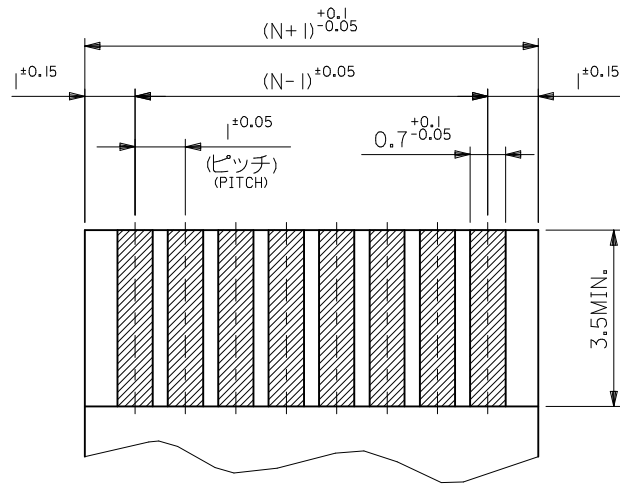


33	31.05	29	52808-3010	30
32	30.05	28	-2910	29
31	29.05	27	-2810	28
30	28.05	26	-2710	27
29	27.05	25	-2610	26
28	26.05	24	-2510	25
27	25.05	23	-2410	24
26	24.05	22	-2310	23
25	23.05	21	-2210	22
24	22.05	20	-2110	21
23	21.05	19	-2010	20
22	20.05	18	-1910	19
21	19.05	17	-1810	18
20	18.05	16	-1710	17
19	17.05	15	-1610	16
18	16.05	14	-1510	15
17	15.05	13	-1410	14
16	14.05	12	-1310	13
15	13.05	11	-1210	12
14	12.05	10	-1110	11
13	11.05	9	-1010	10
12	10.05	8	-0910	9
11	9.05	7	-0810	8
10	8.05	6	-0710	7
7	5.05	3	-0410	4
6	4.05	2	52808-0310	3
C	B	A	ENG. NO	極数 CIRCUIT

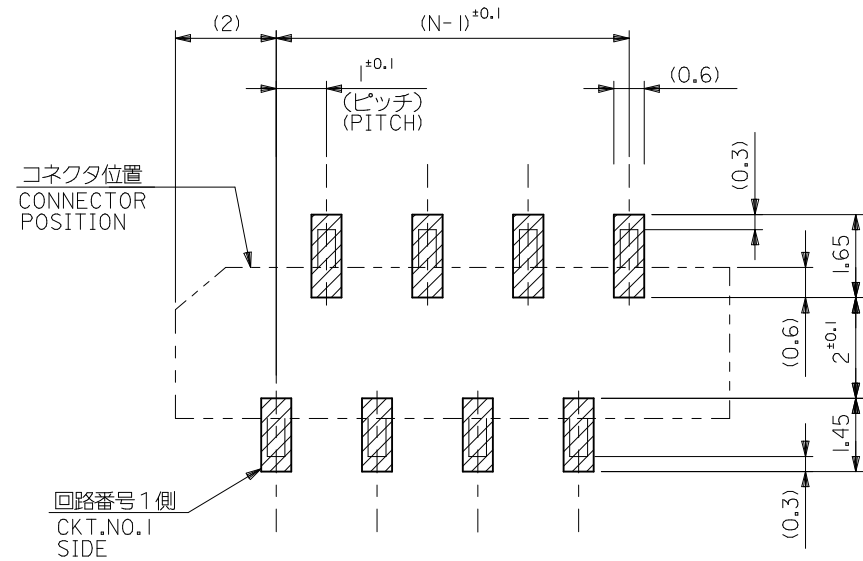


- 注記 NOTES:
1. 使用材料 MATERIAL  
 ハウジング: PPS, UL94V-0  
 ターミナル: リン青銅 (t=0.25)  
 メッキ: 銅下地半田メッキ
  2. HOUSING :PPS, UL94V-0  
 TERMINAL :PHOSPHOR BRONZE  
 PLATING :Sn-Pb OVER Cu
  3. 基準面 [E] からのソルダータールの半田付け面のズレ量は、上方向に0.1MAX.、下方向0.15MAX.とする。  
 MISALIGNMENT OF SOLDER TAIL FROM [E] : UPPER DIRECTION 0.1 MAX. , LOWER DIRECTION 0.15 MAX.
  4. 偶数極に適用。  
 APPLY FOR EVEN CKT.
  5. この図面はSD-52808-\*\*10 Rev.B,SHEET1,2図面をre-Drawingしたものです。  
 THIS DRAWING IS RE-DRAWING OF SD-52808-\*\*10 REV.B SHEET1,2.

REVISED EC NO: J2016-0746 DRWN:SKITAZAWA 2016/01/18 CHKD:YKOBAYASHI 2016/02/15 APPR:TKUSUHARA01 2016/02/17	GENERAL TOLERANCES (UNLESS SPECIFIED)		DIMENSION STYLE MM ONLY		SCALE 10-1	DESIGN UNITS METRIC	THIRD ANGLE PROJECTION
	0.25 UNDER	UNDER	±0.03	DRAWN BY S.AIHARA	DATE '94/5/30	TITLE 1.0 FFC CONN. NON ZIF SMT ST.	
	0.25 OVER	0.5 UNDER	±0.05	CHECKED BY M.FUKUSHIMA	DATE '97/9/10		
	0.5 OVER	1.0 UNDER	±0.1	APPROVED BY TKUSUHARA01	DATE 2016/02/17		
1.0 OVER	10 UNDER	±0.2	ENTER PART		DOCUMENT NO. SD-52808-031	SHEET NO. 1 OF 2	
10 OVER	30 UNDER	±0.25	THIS DRAWING CONTAINS INFORMATION THAT IS PROPRIETARY TO MOLEX ELECTRONIC TECHNOLOGIES, LLC AND SHOULD NOT BE USED WITHOUT WRITTEN PERMISSION				
30 OVER		±0.3					
ANGULAR		±3 °					
DRAFT WHERE APPLICABLE MUST REMAIN WITHIN DIMENSIONS							



(仕上がり厚さ)  $0.3 \pm 0.03$   
 THICKNESS  
 適合 FPC 推奨寸法  
 APPLICABLE FPC  
 RECOMMENDED DIMENSION.



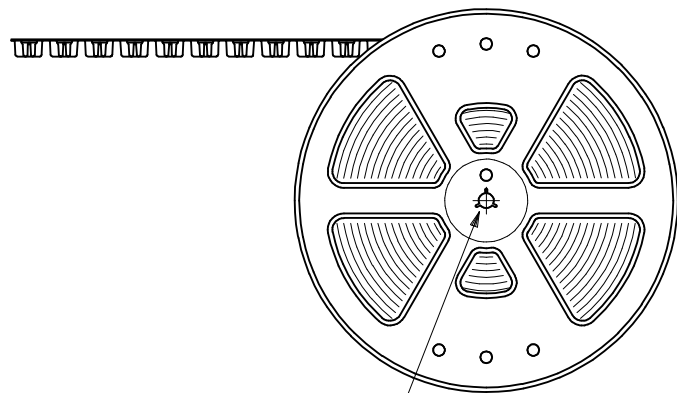
参考基板レイアウト (マウント面)  
 RECOMMENDED P.C.BOARD  
 PATTERN DIMENSION (REF.)  
 (MOUNTING AREA)

REVISED EC NO: J2016-0746 DRWN:SKITAZAWA 2016/01/18 CHKD:YKOBAYASHI 2016/02/15 APPR:TKUSUHARA01 2016/02/17	GENERAL TOLERANCES (UNLESS SPECIFIED)			DIMENSION STYLE MM ONLY		SCALE 10-1	DESIGN UNITS METRIC	THIRD ANGLE PROJECTION	
	0.25 UNDER	UNDER	±0.03	DRAWN BY S.AIHARA	DATE '94/5/30	TITLE 1.0 FFC CONN. NON ZIF SMT ST.			
	0.25 OVER	0.5 UNDER	±0.05	CHECKED BY M.FUKUSHIMA	DATE '97/9/10				
	0.5 OVER	1.0 UNDER	±0.1	APPROVED BY TKUSUHARA01	DATE 2016/02/17	molex DOCUMENT NO. SD-52808-031 SHEET NO. 2 OF 2			
	1.0 OVER	10 UNDER	±0.2	MATERIAL NO. ENTER PART					
	10 OVER	30 UNDER	±0.25	DRAFT WHERE APPLICABLE MUST REMAIN WITHIN DIMENSIONS					
30 OVER		±0.3	SIZE A3	THIS DRAWING CONTAINS INFORMATION THAT IS PROPRIETARY TO MOLEX ELECTRONIC TECHNOLOGIES, LLC AND SHOULD NOT BE USED WITHOUT WRITTEN PERMISSION					

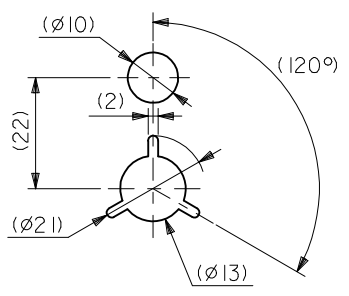
NOTES

- 製品詳細寸法については図面 SD-52808-\*\*\*10 を参照下さい。  
RE DETAILED DIMENSION, SEE SD-52808-\*\*\*10
- 梱包数量：1000個/リール  
NUMBER OF CONNECTORS : 1000PCS/REEL
- リードテープ長さ LEAD TAPE LENGTH
- トップテープの剥離強度：0.1N ~ 0.7N(10.2gf ~ 71.4gf)  
(剥離方向は下図参照)  
尚、本規格値は出荷時に適用。(但し、輸送時に剥離が発生しないこと。)  
PEELING OFF FORCE OF TOP TAPE : 0.1N ~ 0.7N(10.2gf ~ 71.4gf)  
(PEELING DIRECTION AS SHOWN IN FOLLOWING FIG,)  
THIS REQUIREMENT SHOULD BE APPLIED AT SHIPMENT.  
PEEL OFF SHOULD NOT BE ALLOWED , DURING TRANSPORTATION.
- 材料 (MATERIAL)  
キャリアテープ (CARRIER TAPE) : ポリプロピレン (POLYPROPYLENE)  
トップテープ (TOPTAPE) : PET , PE , PEF  
リール (REEL) : ポリスチレン (P.S) <リサイクル材を含む>  
POLYSTYREN (P.S) <RECYCLE MATERIAL CONTAINED>
- この図面はSD-52808-\*\*\*90 Rev.P.SHEET 30~35図面をre-Drawingしたものです。  
THIS DRAWING IS RE-DRAWING OF SD-52808-\*\*\*90 REV.P.SHEET 30~35.

引き出し方向  
PULL OUT

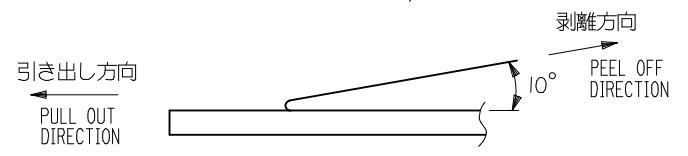
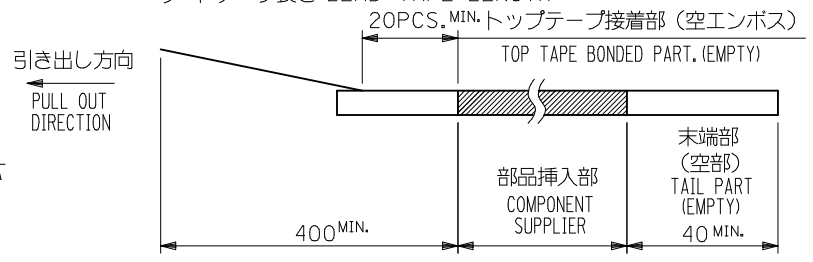
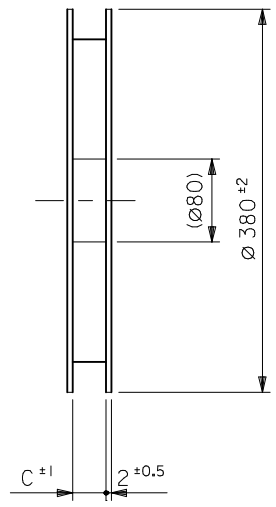


"F"

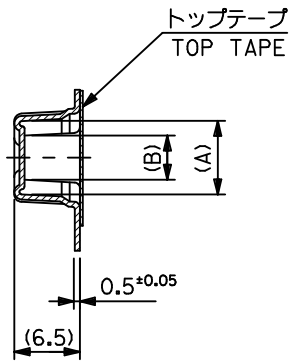


DETAIL "F"

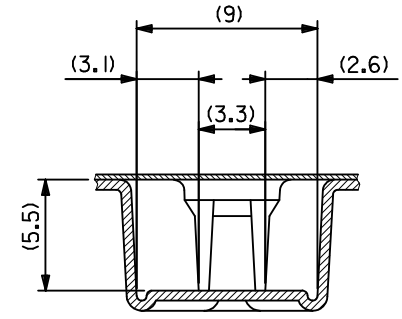
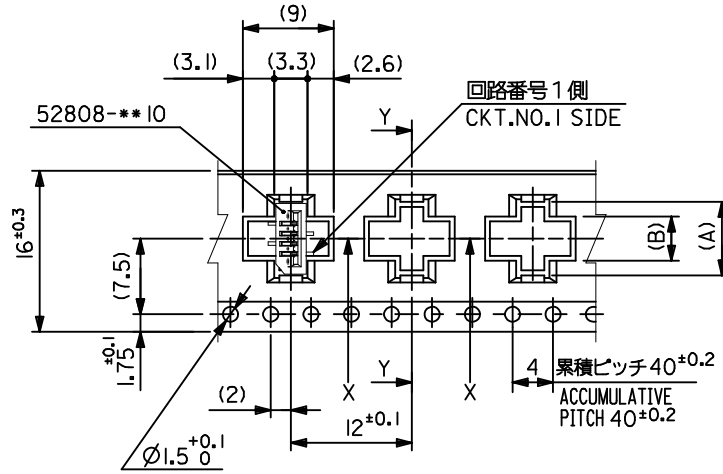
引き出し方向  
PULL OUT DIRECTION



REVISED EC NO: J2016-0746 DRWN:SKITAZAWA 2016/01/18 CHKD:YKOBAYASHI 2016/02/15 APPR:TKUSUHARA01 2016/02/17	GENERAL TOLERANCES (UNLESS SPECIFIED)			DIMENSION STYLE MM ONLY		SCALE ---	DESIGN UNITS METRIC	THIRD ANGLE PROJECTION	
	0.25 UNDER	UNDER	±0.03	DRAWN BY	DATE	TITLE			
	0.25 OVER	0.5 UNDER	±0.05	T.NIITSU	'95/9/7	1.0 FFC CONN NON ZIF SMT ST EMBSTP PKG			
	0.5 OVER	1.0 UNDER	±0.1	CHECKED BY	DATE	molex			
	1.0 OVER	10 UNDER	±0.2	S.KUNISHI	'00/12/26	DOCUMENT NO. SD-52808-032			
10 OVER	30 UNDER	±0.25	APPROVED BY	DATE	SHEET NO. 1 OF 6				
30 OVER		±0.3	TKUSUHARA01	2016/02/17	ENTER PART				
ANGULAR	±3 °		MATERIAL NO.		THIS DRAWING CONTAINS INFORMATION THAT IS PROPRIETARY TO MOLEX ELECTRONIC TECHNOLOGIES, LLC AND SHOULD NOT BE USED WITHOUT WRITTEN PERMISSION				
DRAFT WHERE APPLICABLE MUST REMAIN WITHIN DIMENSIONS			SIZE A3						



SECT:Y-Y

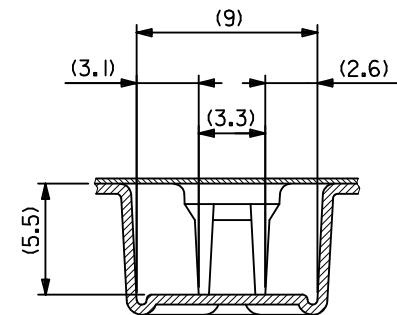
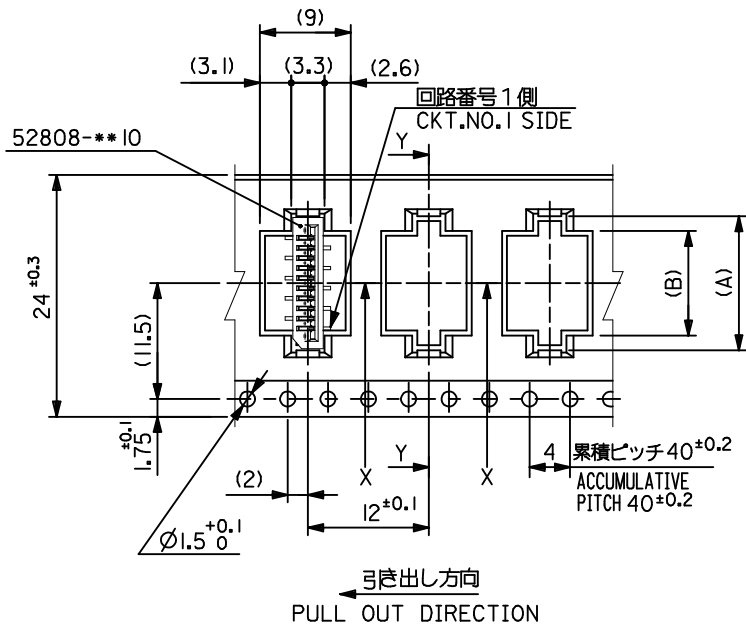
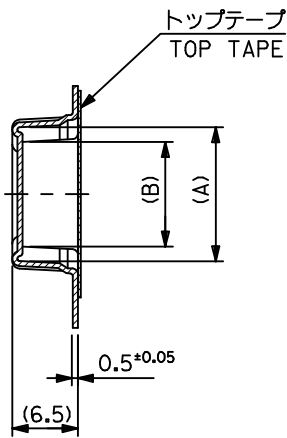


SECT:X-X  
(SCALE:4-1)

16mm幅キャリアテープ  
16mm WIDTH CARRIER TAPE

16	17.5	4.4	7.3	52808-0490	4
キャリアテープ幅 CARRIER TAPE WIDTH	C	(B)	(A)	ENG.NO.	極数 CKT.

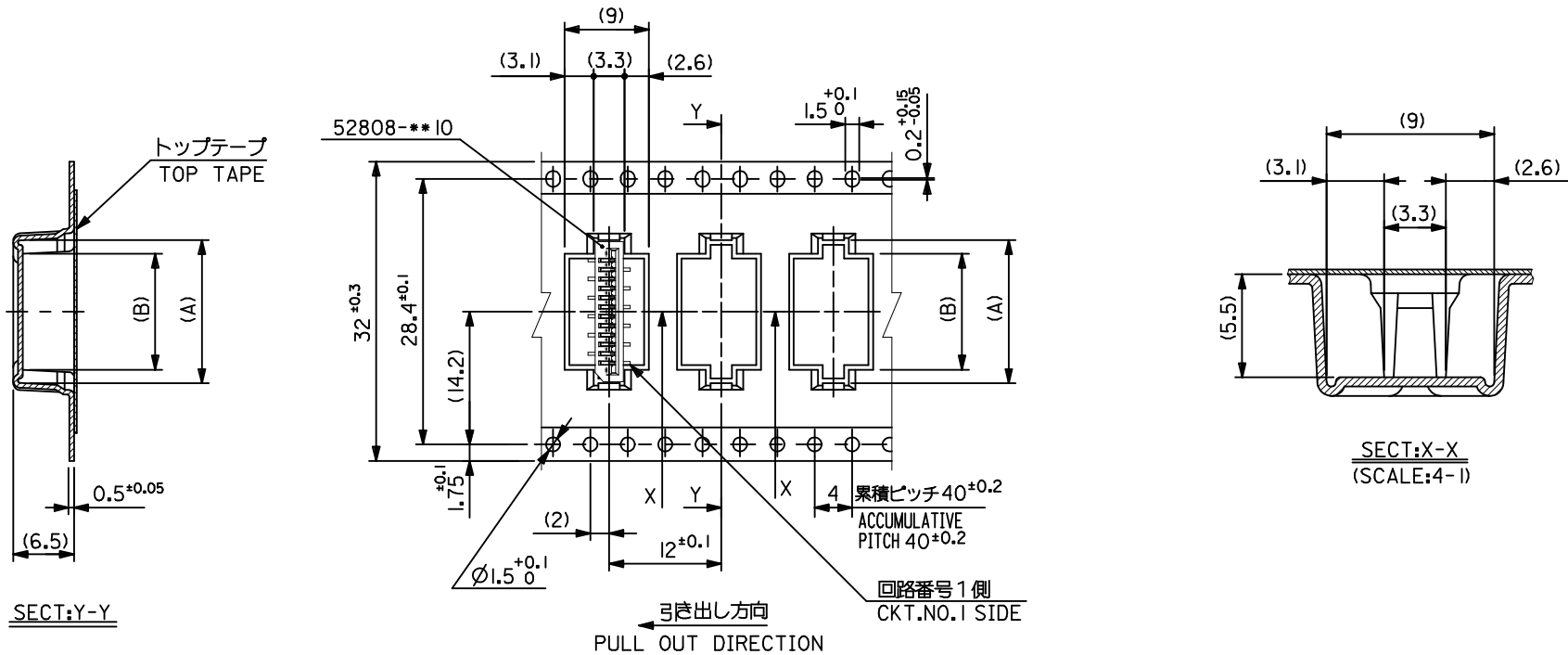
REVISED EC NO: J2016-0746 DRWN:SKITAZAWA 2016/01/18 CHKD:YKOBAYASHI 2016/02/15 APPR:TKUSUHARA01 2016/02/17	GENERAL TOLERANCES (UNLESS SPECIFIED)		DIMENSION STYLE MM ONLY		SCALE ---	DESIGN UNITS METRIC	THIRD ANGLE PROJECTION
	0.25 UNDER	UNDER	±0.03	DRAWN BY T.NIITSU	DATE '95/9/7	TITLE 1.0 FFC CONN NON ZIF SMT ST EMBSTP PKG	
	0.25 OVER	0.5 UNDER	±0.05	CHECKED BY S.KUNISHI	DATE '00/12/26		
	0.5 OVER	1.0 UNDER	±0.1	APPROVED BY TKUSUHARA01	DATE 2016/02/17		
	1.0 OVER	10 UNDER	±0.2	MATERIAL NO. ENTER PART		DOCUMENT NO. SD-52808-032	SHEET NO. 2 OF 6
10 OVER	30 UNDER	±0.25	SIZE A3		THIS DRAWING CONTAINS INFORMATION THAT IS PROPRIETARY TO MOLEX ELECTRONIC TECHNOLOGIES, LLC AND SHOULD NOT BE USED WITHOUT WRITTEN PERMISSION		
30 OVER		±0.3	DRAFT WHERE APPLICABLE MUST REMAIN WITHIN DIMENSIONS				
ANGULAR	±3 °						



24mm幅キャリアテープ  
24mm WIDTH CARRIER TAPE

24	25.5	10.4	13.3	52808-1090	10
		9.4	12.3	52808-0990	9
		8.4	11.3	52808-0890	8
		7.4	10.3	52808-0790	7
キャリアテープ幅 CARRIER TAPE WIDTH	C	(B)	(A)	ENG.NO.	極数 CKT.

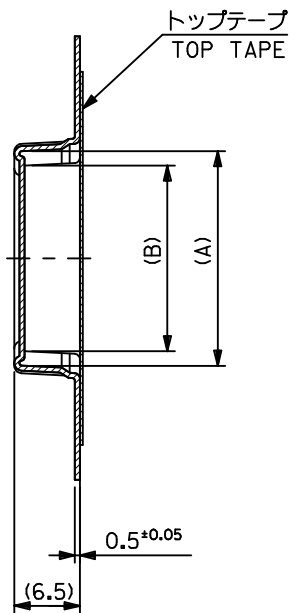
REVISED EC NO: J2016-0746 DRWN:SKITAZAWA 2016/01/18 CHKD:YKOBAYASHI 2016/02/15 APPR:TKUSUHARA01 2016/02/17	GENERAL TOLERANCES (UNLESS SPECIFIED)			DIMENSION STYLE MM ONLY		SCALE ---	DESIGN UNITS METRIC	THIRD ANGLE PROJECTION
	0.25 UNDER	UNDER	±0.03	DRAWN BY T.NIITSU	DATE '95/9/7	TITLE 1.0 FFC CONN NON ZIF SMT ST EMBSTP PKG		
	0.25 OVER	0.5 UNDER	±0.05	CHECKED BY S.KUNISHI	DATE '00/12/26			
	0.5 OVER	1.0 UNDER	±0.1	APPROVED BY TKUSUHARA01	DATE 2016/02/17	DOCUMENT NO. SD-52808-032		
	1.0 OVER	10 UNDER	±0.2	MATERIAL NO. ENTER PART				
	10 OVER	30 UNDER	±0.25	SIZE A3		THIS DRAWING CONTAINS INFORMATION THAT IS PROPRIETARY TO MOLEX ELECTRONIC TECHNOLOGIES, LLC AND SHOULD NOT BE USED WITHOUT WRITTEN PERMISSION		
30 OVER		±0.3	DRAFT WHERE APPLICABLE MUST REMAIN WITHIN DIMENSIONS					



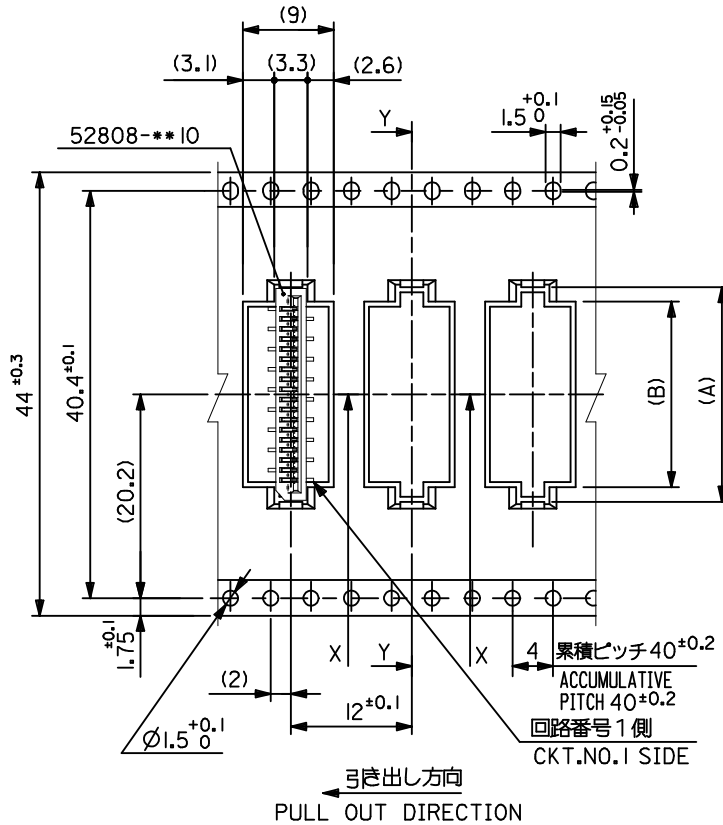
32mm幅キャリアテープ  
32mm WIDTH CARRIER TAPE

32	33.5	15.4	18.3	52808-1590	15
		14.4	17.3	52808-1490	14
		13.4	16.3	52808-1390	13
		12.4	15.3	52808-1290	12
		11.4	14.3	52808-1190	11
キャリアテープ幅 CARRIER TAPE WIDTH	C	(B)	(A)	ENG.NO.	極数 CKT.

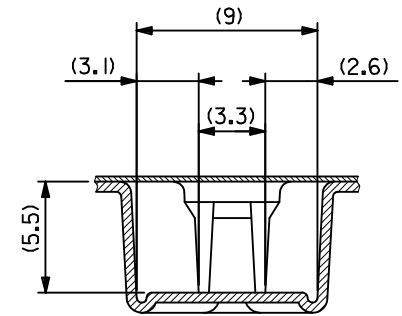
REVISED EC NO: J2016-0746 DRWN:SKITAZAWA 2016/01/18 CHKD:YKOBAYASHI 02/2016/02/15 APPR:TKUSUHARA01 2016/02/17	GENERAL TOLERANCES (UNLESS SPECIFIED)		DIMENSION STYLE MM ONLY		SCALE ---	DESIGN UNITS METRIC	THIRD ANGLE PROJECTION
	0.25 UNDER	UNDER	±0.03	DRAWN BY T.NIITSU	DATE '95/9/7	TITLE 1.0 FFC CONN NON ZIF SMT ST EMBSTP PKG	
	0.25 OVER	0.5 UNDER	±0.05	CHECKED BY S.KUNISHI	DATE '10/12/26		
	0.5 OVER	1.0 UNDER	±0.1	APPROVED BY TKUSUHARA01	DATE 2016/02/17		
	1.0 OVER	10 UNDER	±0.2	MATERIAL NO.	DOCUMENT NO. SD-52808-032		
	10 OVER	30 UNDER	±0.25	ENTER PART		SHEET NO. 4 OF 6	
30 OVER		±0.3	SIZE A3		THIS DRAWING CONTAINS INFORMATION THAT IS PROPRIETARY TO MOLEX ELECTRONIC TECHNOLOGIES, LLC AND SHOULD NOT BE USED WITHOUT WRITTEN PERMISSION		
	ANGULAR ±3 °		DRAFT WHERE APPLICABLE MUST REMAIN WITHIN DIMENSIONS				



SECT:Y-Y



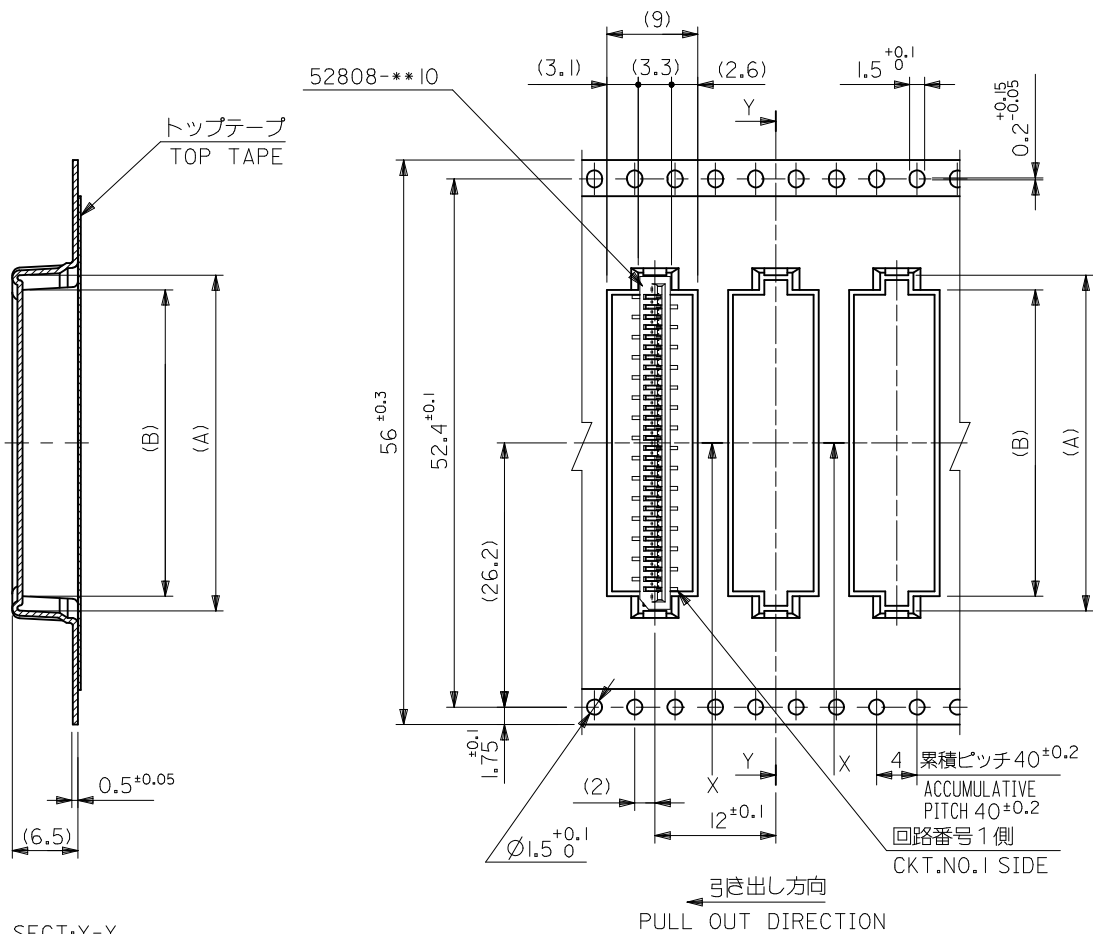
44mm幅キャリアテープ  
44mm WIDTH CARRIER TAPE



SECT:X-X  
(SCALE:4-1)

44	45.5	28.4	31.3	52808-2890	28
		27.4	30.3	52808-2790	27
		26.4	29.3	52808-2690	26
		25.4	28.3	52808-2590	25
		24.4	27.3	52808-2490	24
		23.4	26.3	52808-2390	23
		22.4	25.3	52808-2290	22
		21.4	24.3	52808-2190	21
		20.4	23.3	52808-2090	20
		19.4	22.3	52808-1990	19
		18.4	21.3	52808-1890	18
		17.4	20.3	52808-1790	17
16.4	19.3	52808-1690	16		
キャリアテープ幅 CARRIER TAPE WIDTH	C	(B)	(A)	ENG.NO.	極数 CKT.

REVISED EC NO.: J2016-0746 DRWN:SKITAZAWA 2016/01/18 CHKD:YKOBAYASHI 02/2016/02/15 APPR:TKUSUHARA01 2016/02/17	GENERAL TOLERANCES (UNLESS SPECIFIED)			DIMENSION STYLE MM ONLY		SCALE ---	DESIGN UNITS METRIC	THIRD ANGLE PROJECTION
	0.25 UNDER	UNDER	±0.03	DRAWN BY	DATE	TITLE		
	0.25 OVER	0.5 UNDER	±0.05	T.NIITSU	'95/9/7	1.0 FFC CONN NON ZIF SMT ST EMBSTP PKG		
	0.5 OVER	1.0 UNDER	±0.1	CHECKED BY	DATE			
	1.0 OVER	10 UNDER	±0.2	S.UNISHI	'00/12/26			
	10 OVER	30 UNDER	±0.25	APPROVED BY	DATE			
30 OVER		±0.3	TKUSUHARA01	2016/02/17				
ANGULAR	±3 °		MATERIAL NO.		DOCUMENT NO.		SHEET NO.	
DRAFT WHERE APPLICABLE MUST REMAIN WITHIN DIMENSIONS			ENTER PART		SD-52808-032		5 OF 6	
			SIZE A3		THIS DRAWING CONTAINS INFORMATION THAT IS PROPRIETARY TO MOLEX ELECTRONIC TECHNOLOGIES, LLC AND SHOULD NOT BE USED WITHOUT WRITTEN PERMISSION			



SECT:Y-Y

56mm幅キャリアテープ  
56mm WIDTH CARRIER TAPE

56	57.5	30.4	33.3	52808-3090	30
		29.4	32.3	52808-2990	29
キャリアテープ幅 CARRIER TAPE WIDTH	C	(B)	(A)	ENG.NO.	極数 CKT.

REVISED EC NO: J2016-0746 DRWN:SKITAZAWA 2016/01/18 CHKD:YKOBAYASHI 2016/02/15 APPR:TKUSUHARA01 2016/02/17	GENERAL TOLERANCES (UNLESS SPECIFIED)		DIMENSION STYLE MM ONLY		SCALE ---	DESIGN UNITS METRIC	THIRD ANGLE PROJECTION
	0.25 UNDER	UNDER	±0.03	DRAWN BY T.NIITSU	DATE '95/9/7	TITLE 1.0 FFC CONN NON ZIF SMT ST EMBSTP PKG (SHEET 6 OF 6)	
	0.25 OVER	0.5 UNDER	±0.05	CHECKED BY S.KUNISHI	DATE '00/12/26	<b>molex</b> DOCUMENT NO. SD-52808-032 SHEET NO. 6 OF 6	
	0.5 OVER	1.0 UNDER	±0.1	APPROVED BY TKUSUHARA01	DATE 2016/02/17		
	1.0 OVER	10 UNDER	±0.2	MATERIAL NO. ENTER PART			
10 OVER	30 UNDER	±0.25	SIZE A3		THIS DRAWING CONTAINS INFORMATION THAT IS PROPRIETARY TO MOLEX ELECTRONIC TECHNOLOGIES, LLC AND SHOULD NOT BE USED WITHOUT WRITTEN PERMISSION		
30 OVER		±0.3	DRAFT WHERE APPLICABLE MUST REMAIN WITHIN DIMENSIONS				
ANGULAR	±3 °						