

PAGE 1/2

ISSUE 07.10.14

SERIE : SPnT

PART NUMBER : R574493825

## RF CHARACTERISTICS

Number of ways : **8**  
 Frequency range : **0 - 18 GHz**  
 Impedance : **50 Ohms**

| Frequency (GHz)    | DC - 3         | 3 - 8          | 8 - 12.4       | 12.4 - 16      | 16 - 18        |
|--------------------|----------------|----------------|----------------|----------------|----------------|
| VSWR max           | <b>1,20</b>    | <b>1,30</b>    | <b>1,40</b>    | <b>1,50</b>    | <b>1,60</b>    |
| Insertion loss max | <b>0.20 dB</b> | <b>0.30 dB</b> | <b>0.40 dB</b> | <b>0.55 dB</b> | <b>0.60 dB</b> |
| Isolation min      | <b>80 dB</b>   | <b>70 dB</b>   | <b>60 dB</b>   | <b>60 dB</b>   | <b>60 dB</b>   |
| Average power (*)  | <b>240 W</b>   | <b>150 W</b>   | <b>120 W</b>   | <b>110 W</b>   | <b>100 W</b>   |

TERMINATION IMPEDANCE : **50 Ohms**  
 TERM. AVG. POWER AT 25° C : **1 W per termination / 3 W total power**

## ELECTRICAL CHARACTERISTICS

Actuator : **LATCHING**  
 Nominal current \*\* : **375 mA**  
 Actuator voltage (Vcc) : **28V (24 to 30V)**  
 Terminals : **25 pins D-SUB male connector**  
 Indicator rating : **1 W / 30 V / 100 mA**  
 Self cut-off time : **40 ms < CT < 120 ms**  
 TTL inputs (E) - High level : **2.2 to 5.5 V / 800µA at 5.5 V**  
 - Low level : **0 to 0.8 V / 20µA at 0.8 V**

## MECHANICAL CHARACTERISTICS

Connectors : **SMA female per MIL-C 39012**  
 Life : **2.000.000 cycles per position**  
 Switching Time\*\*\* : **< 50 ms**  
 Construction : **Splashproof**  
 Weight : **< 280 g**

## ENVIRONMENTAL CHARACTERISTICS

Operating temperature range : **-40°C to +85°C**  
 Storage temperature range : **-55°C to +85°C**

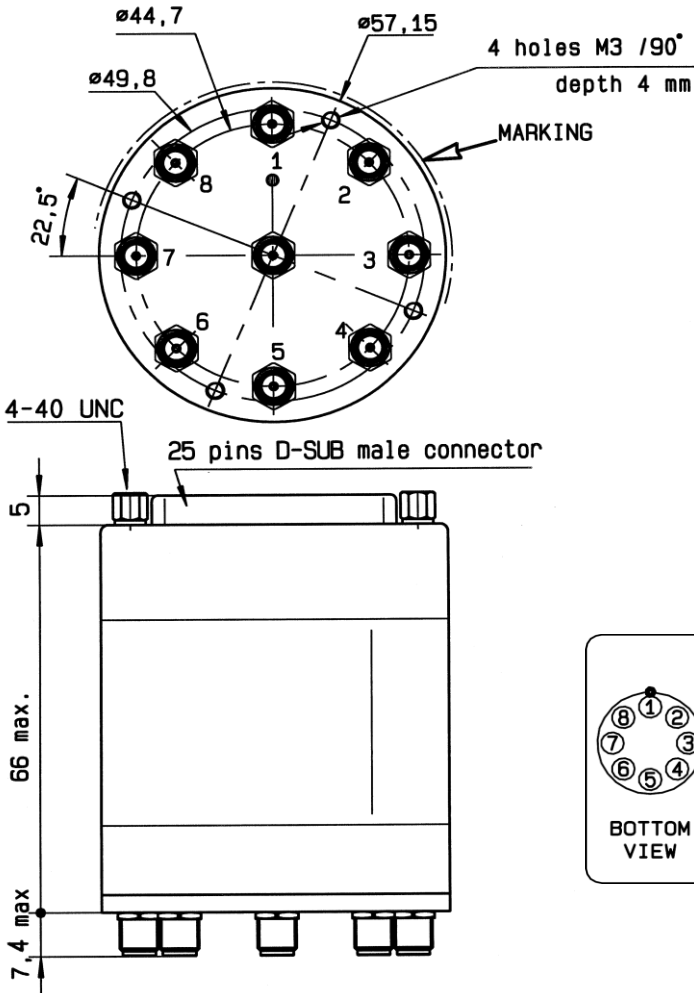
(\* Average power at 25°C per RF Path)

(\*\* At 25° C ±10%)

(\*\*\* Nominal voltage ; 25° C)

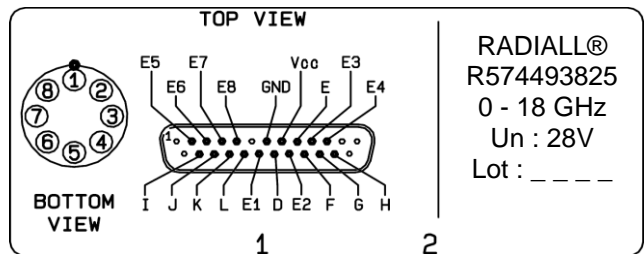


DRAWING



| TTL input | RF Continuity | Ind. |
|-----------|---------------|------|
| E1 = 1    | IN ↔ 1        | D.E  |
| E2 = 1    | IN ↔ 2        | D.F  |
| E3 = 1    | IN ↔ 3        | D.G  |
| E4 = 1    | IN ↔ 4        | D.H  |
| E5 = 1    | IN ↔ 5        | D.I  |
| E6 = 1    | IN ↔ 6        | D.J  |
| E7 = 1    | IN ↔ 7        | D.K  |
| E8 = 1    | IN ↔ 8        | D.L  |

**LABEL**



General tolerances : ±0.5 mm

SCHEMATIC DIAGRAM

