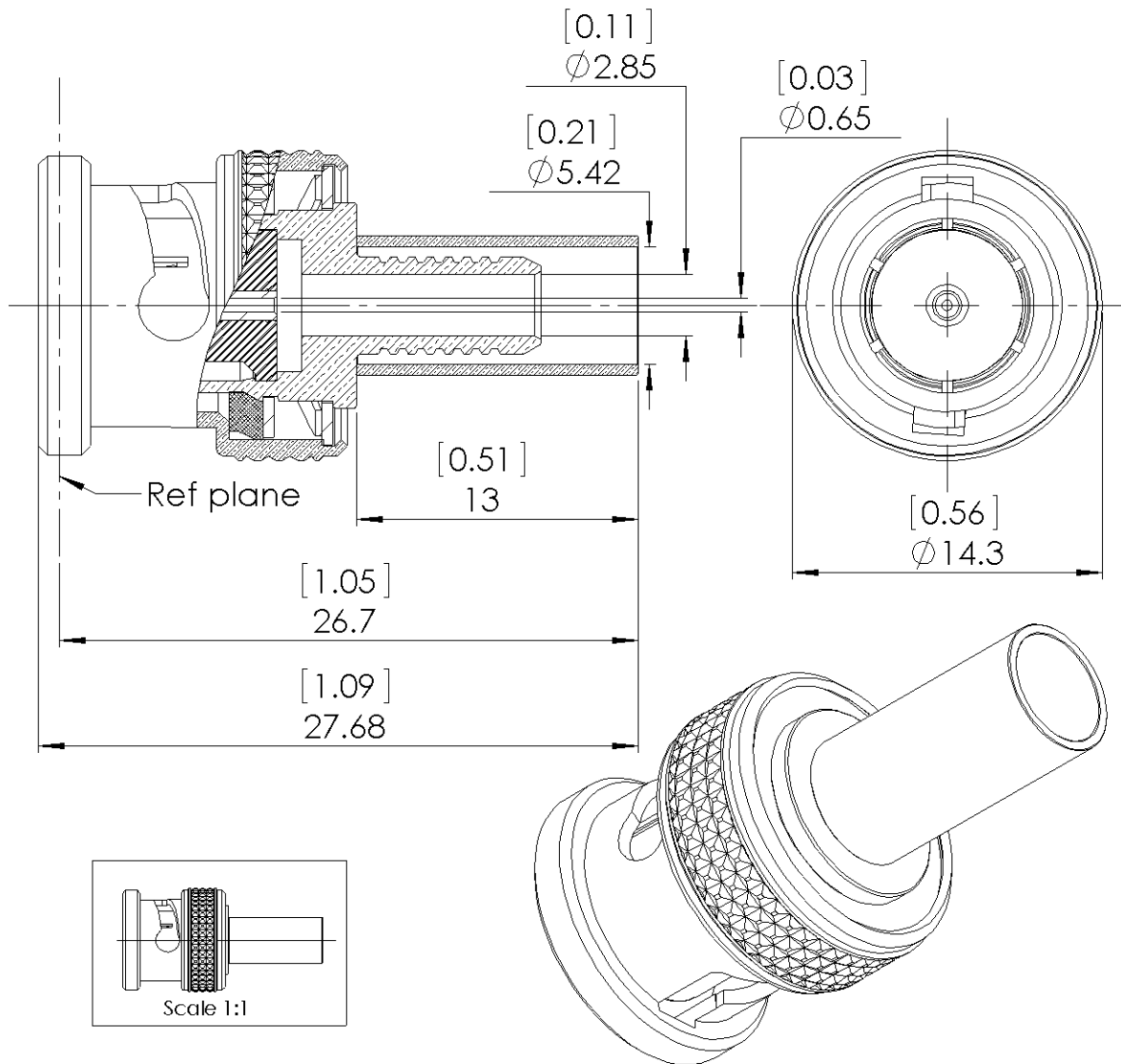
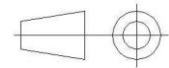


PAGE 1/3	ISSUE 21-03-17C	SERIES BNC 75 HDTV	PART NUMBER R142077702
----------	-----------------	--------------------	------------------------



All dimensions are in mm.



COMPONENTS	MATERIALS	PLATING (µm)
Body	BRASS	NPGR
Center contact	BRASS	NPGR
Outer contact	BRASS	NPGR
Insulator	PTFE	
Gasket	SILICONE RUBBER	
Others parts	BRASS	BBR
-	-	-
-	-	-

PAGE 2/3	ISSUE 21-03-17C	SERIES BNC 75 HDTV	PART NUMBER R142077702
-----------------	------------------------	---------------------------	-------------------------------

PACKAGING

Standard	Unit	Other
100	Contact us	Contact us

ELECTRICAL CHARACTERISTICS

Impedance	75	Ω
Frequency	DC-12	GHz
VSWR	1.05 + 0.0350	x F(GHz) Maxi
Insertion loss	0.1	√F(GHz) dB Maxi
RF leakage	- (AD)	- F(GHz)) dB Maxi
Voltage rating	500	Veff Maxi
Dielectric withstanding voltage	1500	Veff mini
Insulation resistance	5000	MΩ mini

MECHANICAL CHARACTERISTICS

Center contact retention		
Axial force – Mating End	10	N mini
Axial force – Opposite end	10	N mini
Torque	NA	N.cm mini
Recommended torque		
Mating	NA	N.cm
Panel nut	NA	N.cm
Clamp nut	NA	N.cm
A/F clamp nut	0.0000	mm
Mating life	1000	Cycles mini
Weight	8.8150	g

ENVIRONMENTAL

Operating temperature	-65/+165	°C
Hermetic seal	NA	Atm.cm3/s
Panel leakage	NA	

SPECIFICATION

CABLE ASSEMBLY

Stripping	a	b	c	d	e	f
mm	3.5	10.8	18	0	0	0

Assembly instruction: **Crimp 02**

Recommended cable(s)
DRAKA HDTV 0.6/2.8
CAE HDTV HD 0628

Characteristics indicated on this data sheet are those that can be achieved with the highest performance cable. Intrinsic limitations of the cable may diminish the performance of the assembly

Cable retention

- pull off	110	N mini
- torque	NA	N.cm

TOOLING

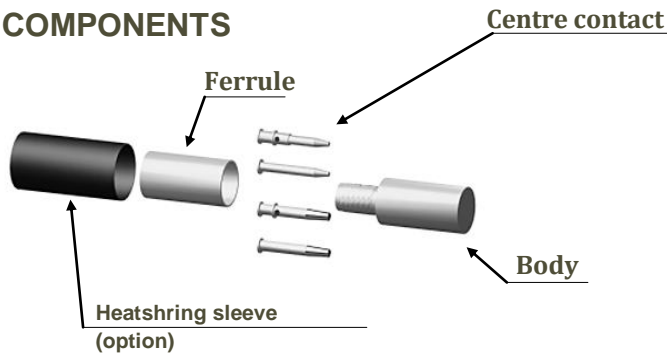
Part Number	Description	Hexagon
R282233000	CRIMPING TOOL	5.41_ square 1.1

OTHER CHARACTERISTICS

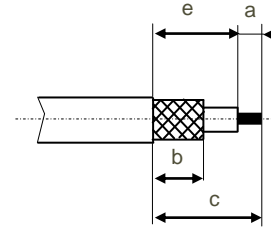
Data speed rate up to 12.5Gb/s

PAGE 3/3	ISSUE 21-03-17C	SERIES BNC 75 HDTV	PART NUMBER R142077702
----------	-----------------	--------------------	------------------------

COMPONENTS



STRIPPING DIMENSIONS



1

Slide the heatshrink sleeve onto the cable (Option).
Slide the ferrule onto the cable.
Strip the cable.

4

Slide the cable into the body until it bottoms against insulator.

2

Slide the centre contact on until it bottoms against the cable dielectric.
Crimp the centre contact with crimping tool (see connector TDS).

5

Slide the ferrule over the braid.
Crimp the ferrule with crimping tool (see connector TDS).

3

Fan the braid.

6

Cut the excess of braid if necessary.
Slide the sleeve over the ferrule and heatshrink it in place (Option).