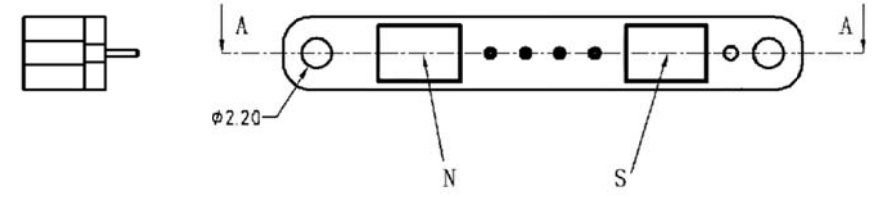
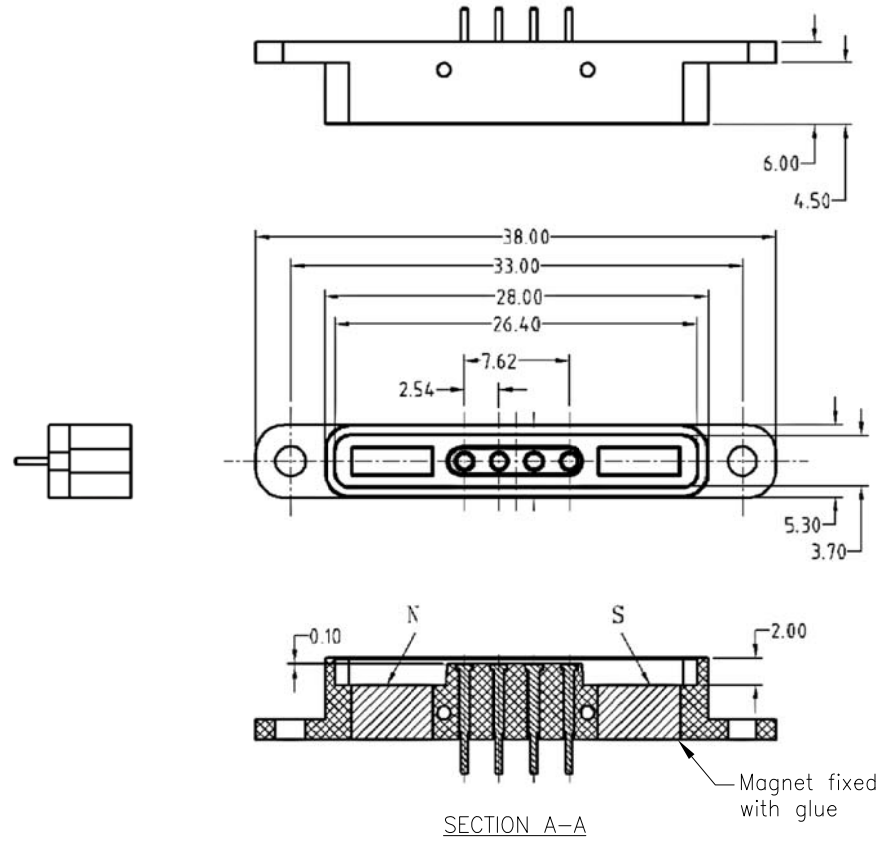


Rev	AWO #	Description	Date	Appr
-		RELEASED	11/15/18	

APPROVED: _____
DATE: _____ TITLE: _____



SPECIFICATIONS:
Material:
Insulator: HTN, rated UL 94V-0
Insulator color: Black
Contact: Pogo pin, 5u" Gold plated
Magnet: N52 NdFeB, Ni-Cu-Ni plated
Electrical:
Rating Current & Voltage rating: 12VDC, 3A
Contact resistance: 50 mohms max
Environmental:
Lead free, RoHS compliant.



UNLESS OTHERWISE SPECIFIED
ALL DIMENSIONS ARE MILLIMETERS
TOLERANCES: EXCEPT AS NOTED

MM	ANGLE
0~6 ± 0.10	
6~30 ± 0.20	±2'
30~150 ± 0.30	

APPROVALS		DATE
DRAWN	HR	11/15/18
CHECKED	AC	11/15/18
APPROVED		

ADAM TECH INTERCONNECTS

909 Rahway Avenue,
Union, NJ 07083
Phone: 908-687-5000
Fax: 908-687-5710

TITLE: 2.54MM PITCH POGO PIN, FEMALE, 4P
SINGLE ROW, MAGNET, STRAIGHT

SIZE X	PART NO. PH1-3L-04-FVMP-4560	REV. -
REF: S00170C	SCALE: NTS	SHEET 1 OF 1

6 5 4 3 2 1

D

D

C

C

B

B

A

A

6 5 4 3 2 1