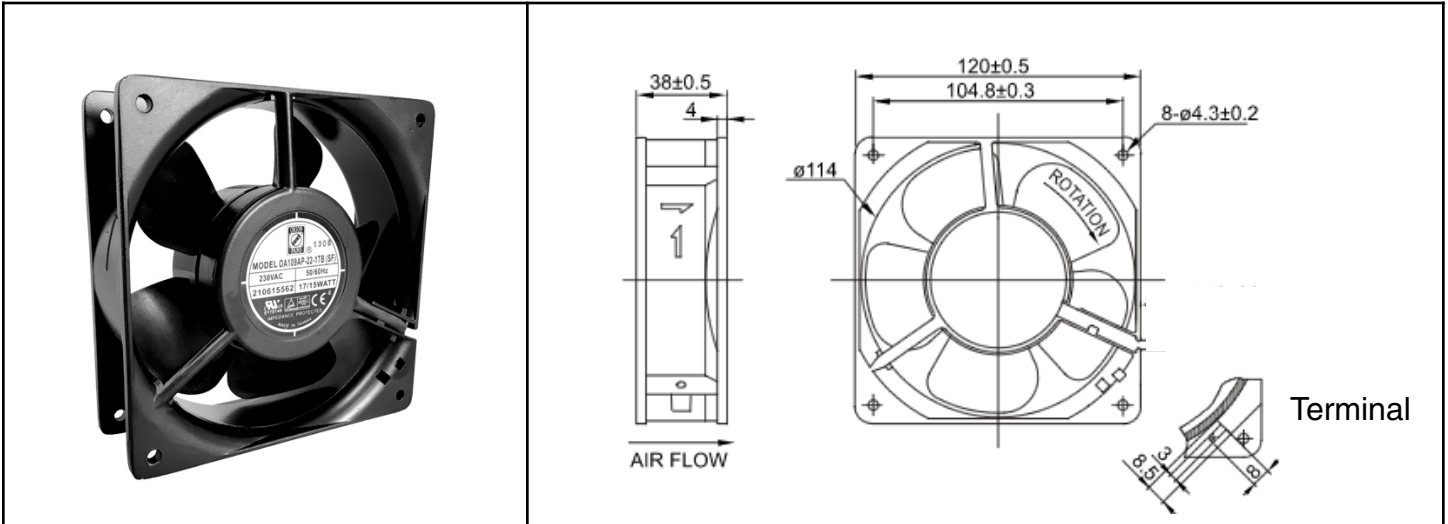


# OA109 Series



AC Fan - Salt Fog Rated  
120x38mm (4.7"x 1.5")



Frame	Diecast Aluminum	<u>Environmental Protection</u> SALT FOG RATED (SF)  <u>Operating Temperature</u> -20C ~ +70C  <u>Life Expectancy</u> >40,000 hours (L10, 40C )  Weight: ~ 1.14 lbs.  m2	
Impeller	PBT, UL94V-O plastic		
Connection	Terminals		
Motor	AC shaded pole, impedance protected		
Bearing System	Dual Ball		
Insulation Resistance	>100M ohm between leadwire and frame (500VDC)		
Dielectric Strength	1 min at 1500 VAC, 50/60Hz		

Model Number	OA109AP-11-1TB (SF)	OA109AP-22-1TB (SF)
Part Number	210315562	210615562
Nominal Voltage	115 VAC	230 VAC
Nominal Current	0.16 A	0.08 A
Rated Power	12 W (60Hz)	15 W (60Hz)
Rated Speed (RPM)	3100	3100
Airflow (CFM)	106	106
Noise Level (dB)	46	46
Max. Static Pressure	0.32" H <sub>2</sub> O	0.32" H <sub>2</sub> O